



**Power**

***SALICE***



# Power

Power is the kit used to motorise Salice sliding systems.

With Power, the door opening and closing movements are controlled by quiet motors fixed to the load-bearing profile.

An initial manual movement of the door is sufficient to activate the motor in order to complete the movement.

Optionally there is a remote control and buttons to be fixed to the cabinet sides for the Push to Open effect.

The system is also compatible with the home automation systems.

## Technical Information

The Power motorisation system can be used with Salice's sliding systems for both overlapping and coplanar doors.

Power can be used on the following systems:

- Slider M35
- Slider M50
- Slider M50 FLEX
- Slider M35 TOP
- Slider L70
- Glow+
- Slider S20 Base cabinet
- Slider S20 Wall cabinet

A single Power unit operates a sliding system with either a single door or 2 doors. When two Power units are connected in series, it is also possible to operate mechanisms with 3 and 4 doors.

The system can also be configured in the Reverso version (only for 2 doors) and in the Step version (only on request).

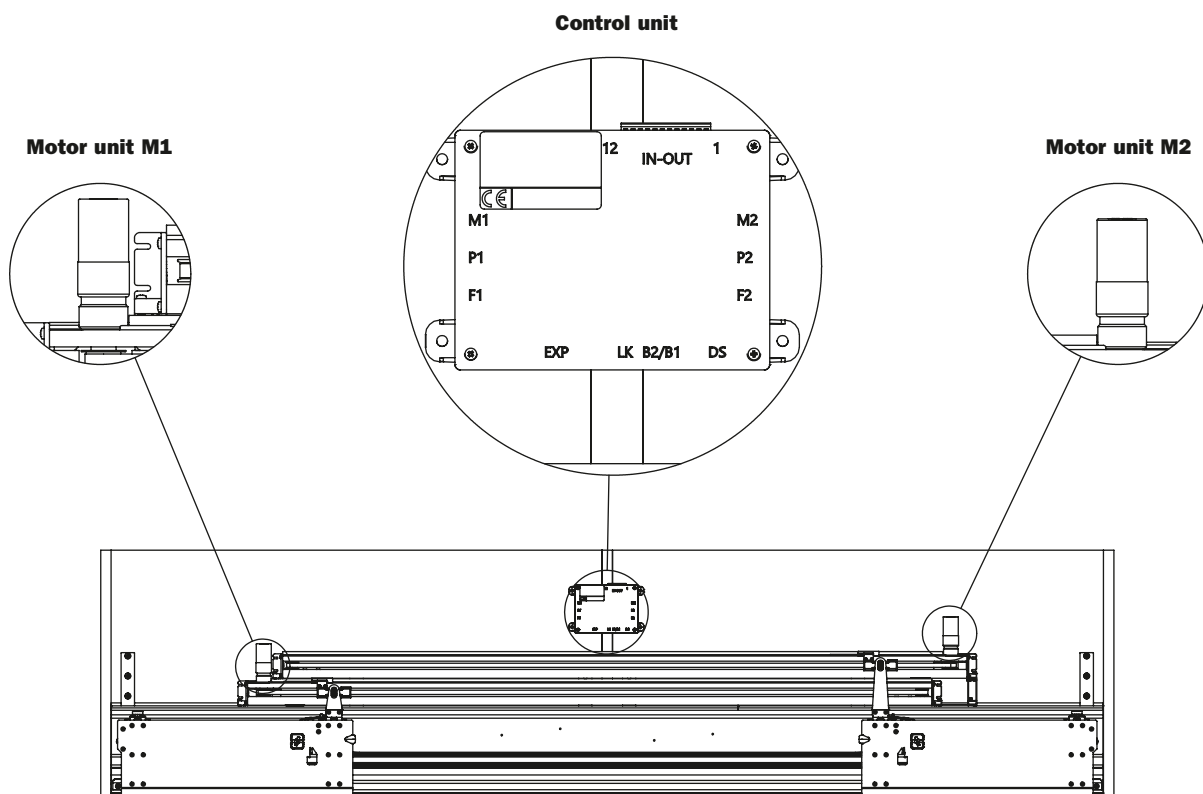
Power comprises a 24V motor for each individual door and a control unit that can manage a maximum of two doors.

The motors are connected to a transformer that converts the mains voltage (110v-220v) into low voltage 24V (for further details see the control unit manual).

The mechanical link between the motorisation unit and the sliding mechanism is established by support bracket kits specific to each mechanism.

The motorisation system can be fixed in two methods:

1. directly on the cabinet, hereinafter defined DIRECT FIXING;
2. pre-assembled on the sliding mechanism with special interface profiles suitable for installation in a wall recess, hereinafter defined PREMOUNTED ON MECHANISM



**Power kit • slider S20 Base cabinet**

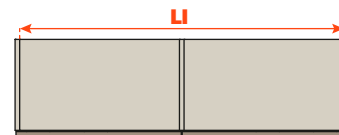
Configure the Power kit by selecting the part numbers at points 1, 2 and 3.

**1 •** According to the internal width of the cabinet (LI) select the motor unit.

System with 2 doors: Kit M1 + Kit M2

System with left single door: Kit M2

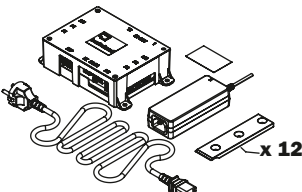
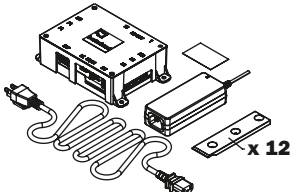
System with right single door: Kit M1



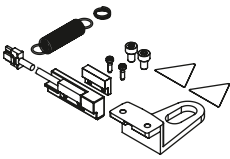
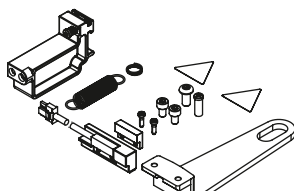
		LI						
System	Part number	LI<1288	1288+1450	1450+1663	1663+1930	1930+2443	2443+2680	LI>2680
<b>KIT M1</b>	<b>VE71KITM008A</b>							
	<b>VE71KITM006A</b>							
	<b>VE71KITM004A</b>							
	<b>VE71KITM002A</b>							

		LI						
System	Part number	LI<1288	1288+1450	1450+1663	1663+1930	1930+2443	2443+2680	LI>2680
<b>KIT M2</b>	<b>VE71KITM007A</b>							
	<b>VE71KITM005A</b>							
	<b>VE71KITM003A</b>							
	<b>VE71KITM001A</b>							

**2 •** Select the control unit kit.

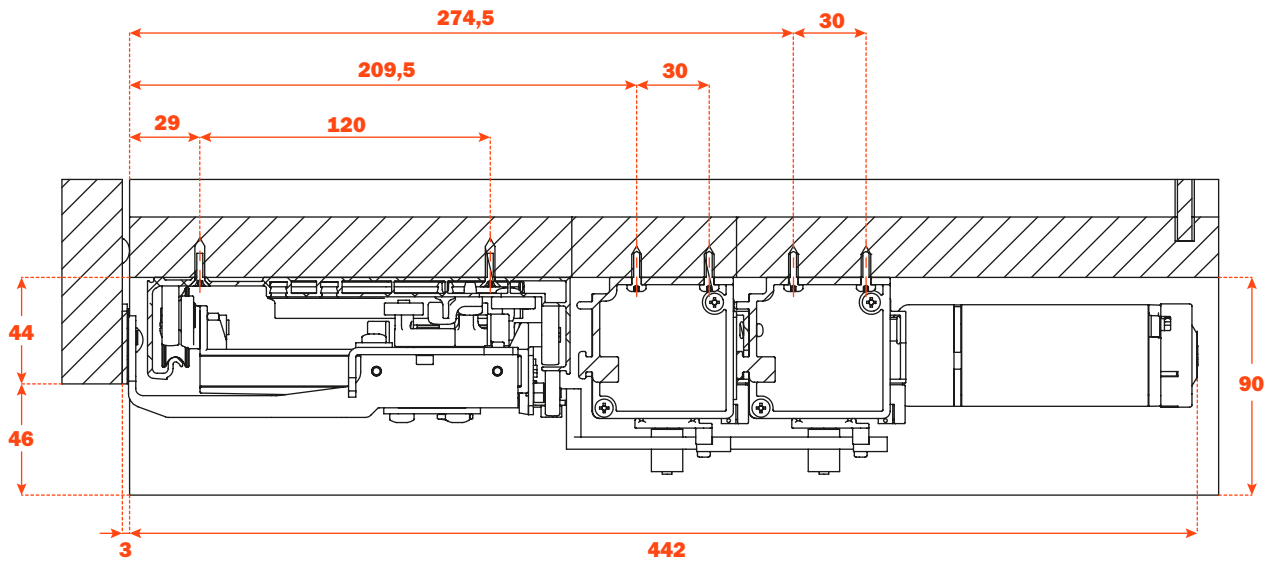
		Part number
	Control unit + Transformer + Cable with Schuko plug + 12 fixing clips	<b>VE71KITE201A.01</b>
	Control unit + Transformer + Cable with US plug + 12 fixing clips	<b>VE71KITE205A.01</b>

**3 •** Select the kit for the connection of the mechanism to the motor unit according to the doors configuration.

	Description	Part number	Coplanar, single door		Coplanar, two doors	
			Right single door	Left single door	Right door	Left door
	Connection kit for motor unit, short lever	<b>VE71KITB311A</b>				
	Connection kit for motor unit, long lever	<b>VE71KITB312A</b>				

### Power kit with direct fixing to the bottom panel of the cabinet • Slider S20 Base cabinet

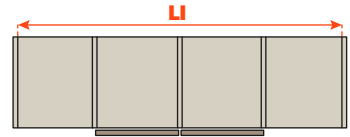
The Power kit for Slider S20 Base cabinet can be installed only with direct fixing to the bottom panel of the cabinet using wood screws (not included).



**Power kit • slider S20 Base cabinet • Reverso**

Configure the Power kit by selecting the part numbers at points 1, 2 and 3.

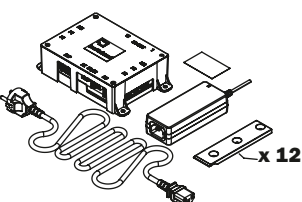
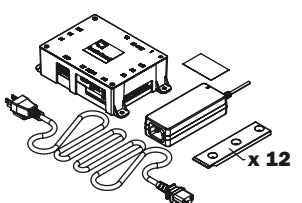
- 1 •** According to the internal width of the cabinet (LI) select the motor unit.  
 Left door: Kit M1  
 Right door: Kit M2



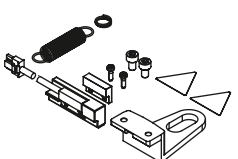
		<b>LI</b>		
<b>System</b>	<b>Part number</b>	<b>LI&lt;2406</b>	<b>2406+3156</b>	<b>LI&gt;3156</b>
<b>KIT M1</b>	<b>VE71KITM008A</b>			
	<b>VE71KITM006A</b>			
	<b>VE71KITM004A</b>			

		<b>LI</b>		
<b>System</b>	<b>Part number</b>	<b>LI&lt;2406</b>	<b>2406+3156</b>	<b>LI&gt;3156</b>
<b>KIT M2</b>	<b>VE71KITM007A</b>			
	<b>VE71KITM005A</b>			
	<b>VE71KITM003A</b>			

- 2 •** Select the control unit kit.

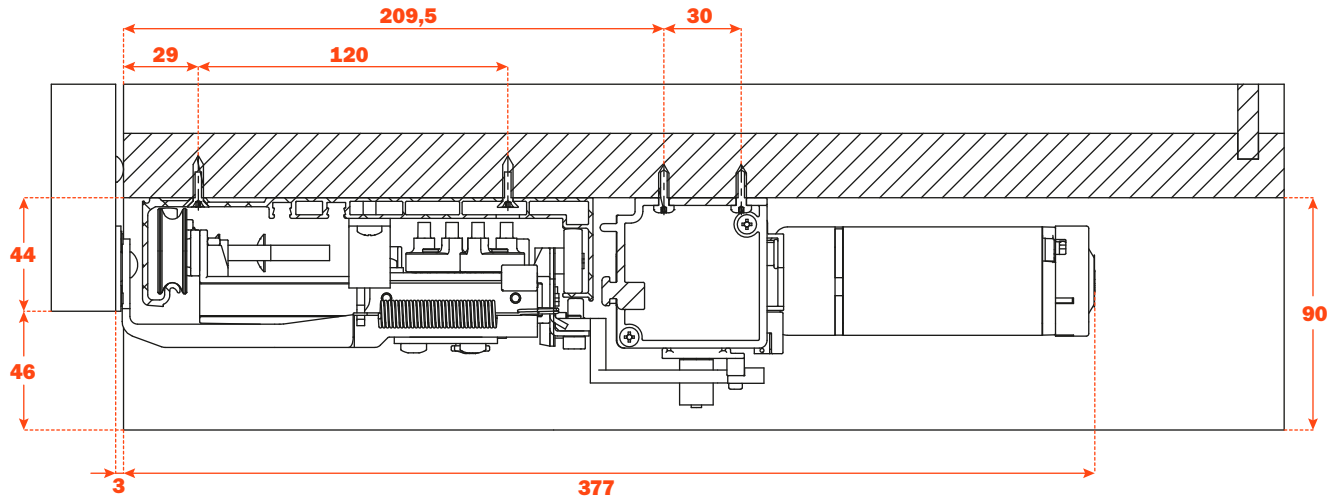
		<b>Part number</b>
	Control unit + Transformer + Cable with Schuko plug + 12 fixing clips	<b>VE71KITE201A.01</b>
	Control unit + Transformer + Cable with US plug + 12 fixing clips	<b>VE71KITE205A.01</b>

- 3 •** For a Reverso system you always need two connection kits.

	<b>Description</b>	<b>Part number</b>	<b>Coplanar Reverso</b>	
			<b>Right single door</b>	<b>Left single door</b>
	Connection kit for motor unit	<b>VE71KITB311A</b>		

**Power kit with direct fixing to the bottom panel of the cabinet • Slider S20 Base cabinet • Reverso**

The Power kit for Slider S20 Base cabinet Reverso can be installed only with direct fixing to the bottom panel of the cabinet using wood screws (not included).



**Power kit • slider S20 Wall cabinet**

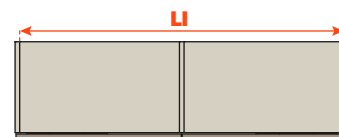
Configure the Power kit by selecting the part numbers at points 1, 2 and 3.

**1 •** According to the internal width of the cabinet (LI) select the motor unit.

System with 2 doors: Kit M1 + Kit M2

System with left single door: Kit M1

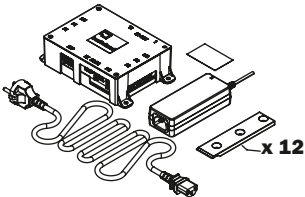
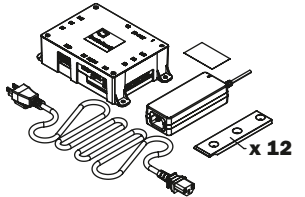
System with right single door: Kit M2



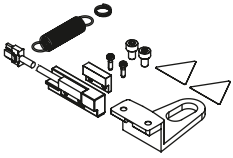
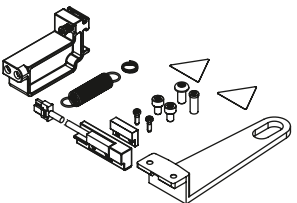
		LI						
System	Part number	LI<1288	1288+1494	1494+1663	1663+1974	1974+2443	2443+2724	LI>2724
<b>KIT M1</b>	<b>VE71KITM008A</b>							
	<b>VE71KITM006A</b>							
	<b>VE71KITM004A</b>							
	<b>VE71KITM002A</b>							

		LI						
System	Part number	LI<1288	1288+1494	1494+1663	1663+1974	1974+2443	2443+2724	LI>2724
<b>KIT M2</b>	<b>VE71KITM007A</b>							
	<b>VE71KITM005A</b>							
	<b>VE71KITM003A</b>							
	<b>VE71KITM001A</b>							

**2 •** Select the control unit kit.

		Part number
	Control unit + Transformer + Cable with Schuko plug + 12 fixing clips	<b>VE71KITE201A.01</b>
	Control unit + Transformer + Cable with US plug + 12 fixing clips	<b>VE71KITE205A.01</b>

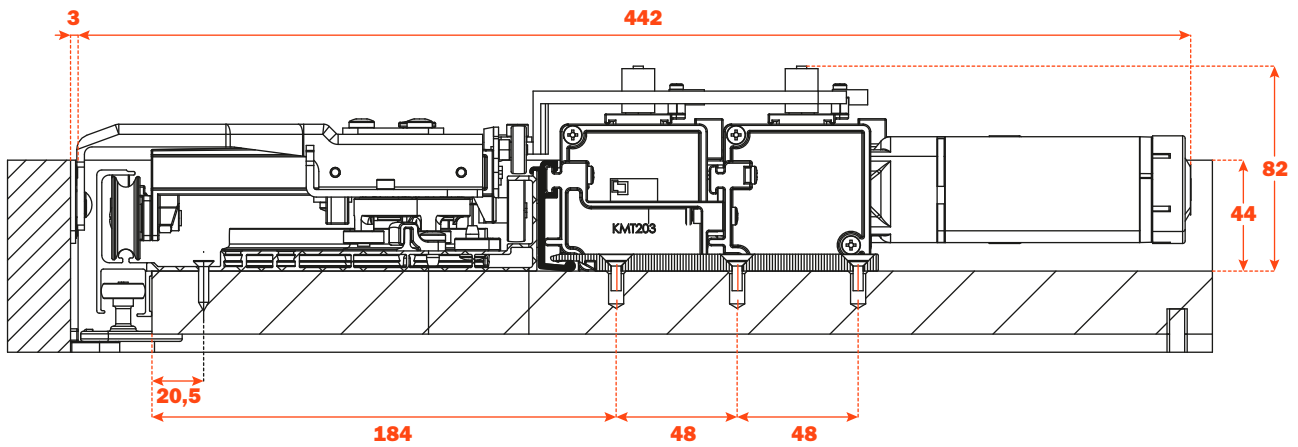
**3 •** Select the kit for the connection of the mechanism to the motor unit according to the doors configuration.

	Description	Part number	Coplanar, single door		Coplanar, two doors	
			Right single door	Left single door	Right door	Left door
	Connection kit for motor unit, short lever	<b>VE71KITB311A</b>				
	Connection kit for motor unit, long lever	<b>VE71KITB312A</b>				



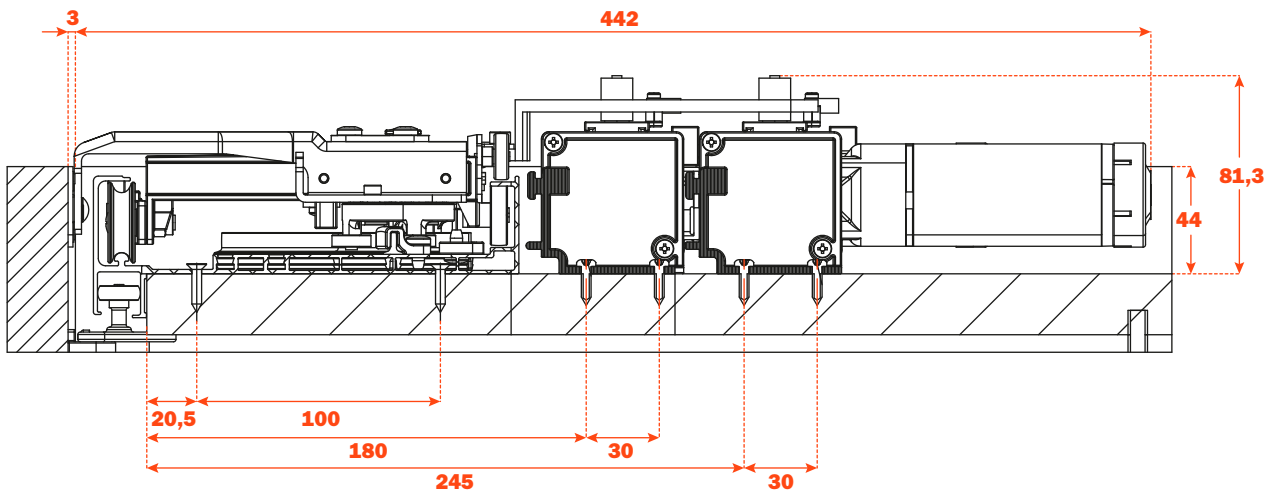
**Power kit premounted on mechanism • Slider S20 Wall cabinet**

The pre-assembly through the interface profile makes the Power kit integral with the mechanism. This pre-assembly has been developed to facilitate the installation in a wall recess and all cases in which it is not possible to fix the motorisation profiles from above.



**Power kit with direct fixing to the top of the cabinet • Slider S20 Wall cabinet**

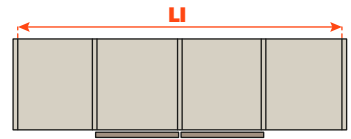
The fixing of the Power profiles directly to the top of the cabinet with woodscrews (not included) does not require the additional interface profile, but it requires space above the cabinet to fix the screws from above.



**Power kit • slider S20 Wall cabinet • Reverso**

Configure the Power kit by selecting the part numbers at points 1, 2 and 3.

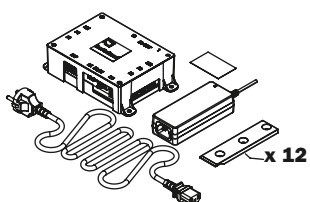
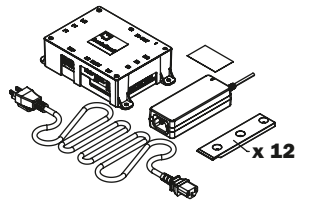
- 1 •** According to the internal width of the cabinet (LI) select the motor unit.  
 Left door: Kit M2  
 Right door: Kit M1



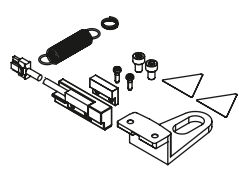
		<b>LI</b>		
<b>System</b>	<b>Part number</b>	<b>LI&lt;2406</b>	<b>2406÷3156</b>	<b>LI&gt;3156</b>
<b>KIT M1</b>	<b>VE71KITM008A</b>			
	<b>VE71KITM006A</b>			
	<b>VE71KITM004A</b>			

		<b>LI</b>		
<b>System</b>	<b>Part number</b>	<b>LI&lt;2406</b>	<b>2406÷3156</b>	<b>LI&gt;3156</b>
<b>KIT M2</b>	<b>VE71KITM007A</b>			
	<b>VE71KITM005A</b>			
	<b>VE71KITM003A</b>			

- 2 •** Select the control unit kit.

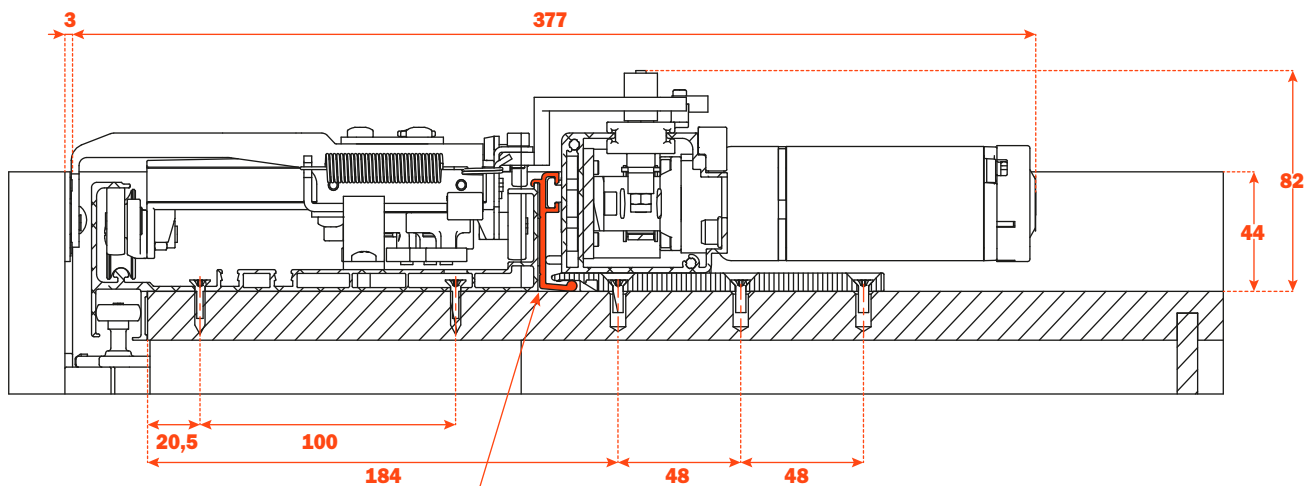
		<b>Part number</b>
	Control unit + Transformer + Cable with Schuko plug + 12 fixing clips	<b>VE71KITE201A</b>
	Control unit + Transformer + Cable with US plug + 12 fixing clips	<b>VE71KITE205A</b>

- 3 •** For a Reverso system you always need two connection kits.

	<b>Description</b>	<b>Part number</b>	<b>Coplanar, Reverso</b>	
			<b>Right single door</b>	<b>Left single door</b>
	Connection kit for motor unit	<b>VE71KITB311A</b>		

**Power kit premounted on mechanism • Slider S20 Wall cabinet • Reverso**

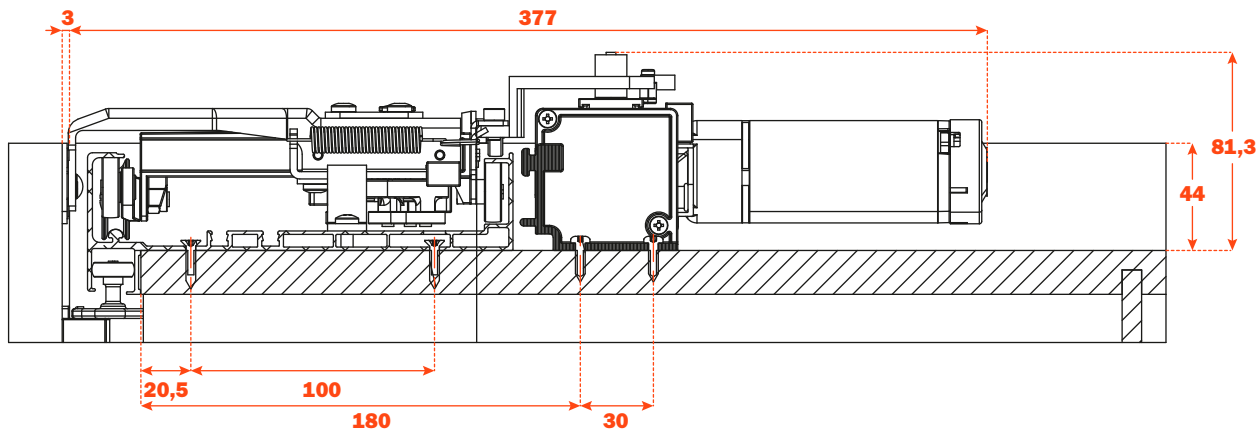
The pre-assembly through the interface profile makes the Power kit integral with the mechanism. This pre-assembly has been developed to facilitate the installation in a wall recess and all cases in which it is not possible to fix the motorisation profiles from above.



**Interface profile VE71KITF104A (see page 37)**

**Power kit with direct fixing to the top of the cabinet • Slider S20 Wall cabinet • Reverso**

The fixing of the Power profiles directly to the top of the cabinet with woodscrews (not included) does not require the additional interface profile, but it requires space above the cabinet to fix the screws from above.



**Power kit • slider M35 • Slider M35 Top • Slider M50**

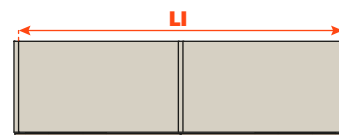
Configure the Power kit by selecting the part numbers at points 1, 2 and 3.

**1 •** According to the internal width of the cabinet (LI) select the motor unit.

System with 2 doors: Kit M1 + Kit M2

System with left single door: Kit M1

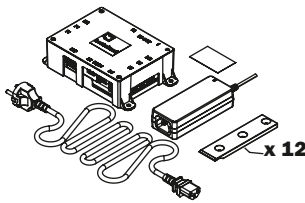
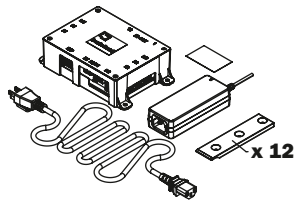
System with right single door: Kit M2



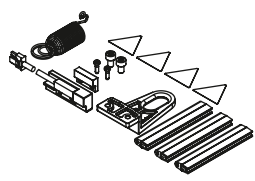
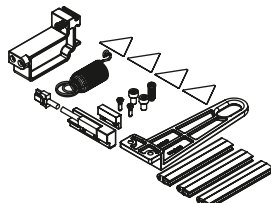
		LI						
System	Part number	LI<1288	1288+1330	1330+1663	1663+1810	1810+2443	2443+2560	LI>2560
<b>KIT M1</b>	<b>VE71KITM008A</b>							
	<b>VE71KITM006A</b>							
	<b>VE71KITM004A</b>							
	<b>VE71KITM002A</b>							

		LI						
System	Part number	LI<1288	1288+1330	1330+1663	1663+1810	1810+2443	2443+2560	LI>2560
<b>KIT M2</b>	<b>VE71KITM007A</b>							
	<b>VE71KITM005A</b>							
	<b>VE71KITM003A</b>							
	<b>VE71KITM001A</b>							

**2 •** Select the control unit kit.

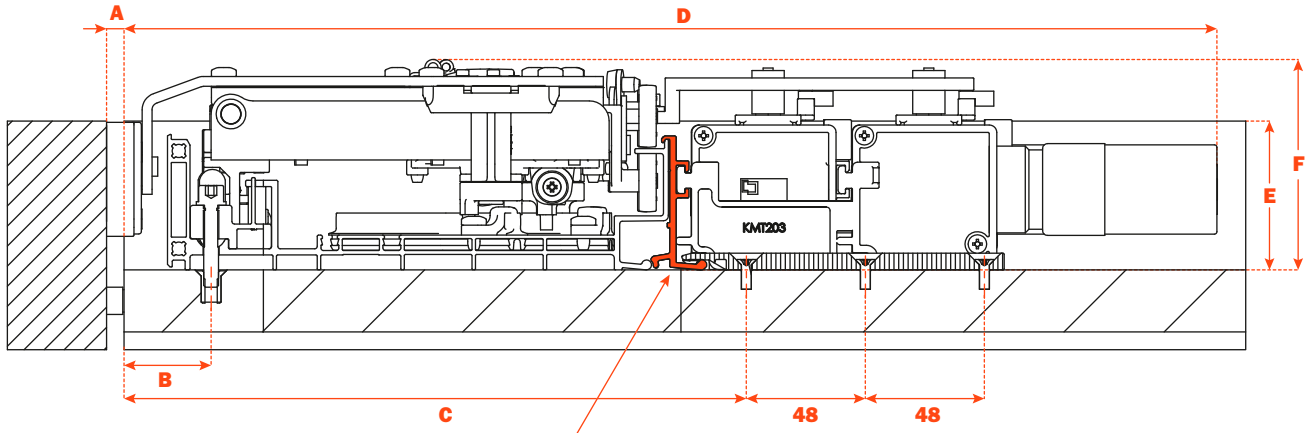
		Part number
	Control unit + Transformer + Cable with Schuko plug + 12 fixing clips	<b>VE71KITE201A.01</b>
	Control unit + Transformer + Cable with US plug + 12 fixing clips	<b>VE71KITE205A.01</b>

**3 •** Select the kit for the connection of the mechanism to the motor unit according to the doors configuration.

	Description	Part number	Coplanar, single door		Coplanar, two doors	
			Right single door	Left single door	Right door	Left door
	Connection kit for motor unit, short lever	<b>VE71KITA211A</b>				
	Connection kit for motor unit, long lever	<b>VE71KITA212A</b>				

### Power kit premounted on mechanism • Slider M35, Slider M50 and Slider M35 Top

The pre-assembly through the interface profile makes the Power kit integral with the mechanism. This pre-assembly has been developed to facilitate the installation in a wall recess and all cases in which it is not possible to screw the motorisation profiles from above.



Connection or interface profile VE71KITF101A • VE71KITF103A (see page 37)

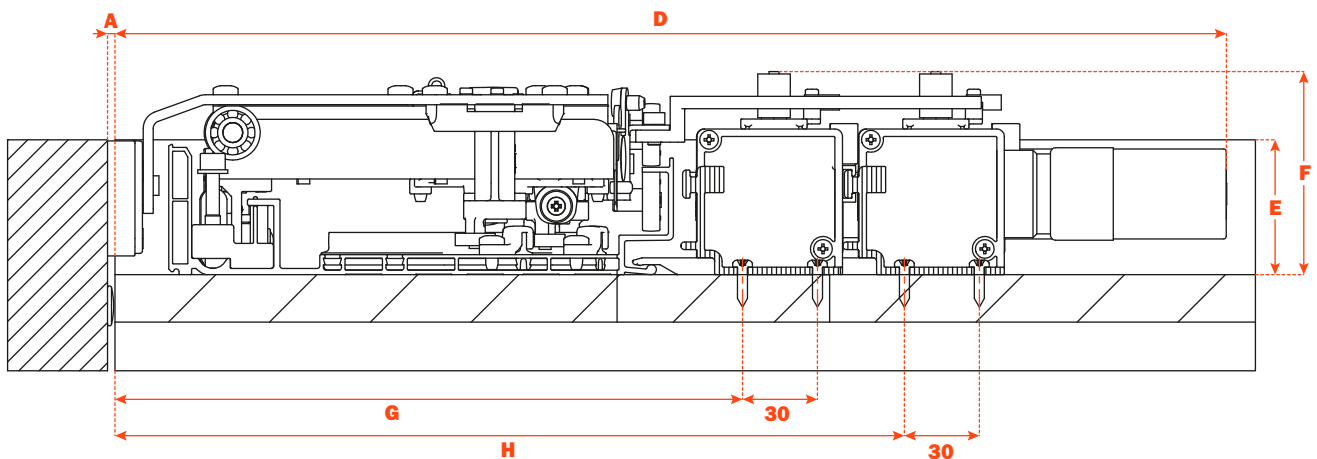
Mechanism	A	B RE	B RI	C RE	C RI	D RE	D RI	E	F
Slider M50 • Slider M50+	7	35	24	251	240	480	469	60	85
Slider M35	3	39	28	255	244	484	473	54	81
Slider M35 Top	3	39	28	255	244	484	473	60	85

RE = Surface - mounted adjusters

RI = Recessed adjusters

### Power kit with direct fixing to the top of the cabinet • Slider M35, Slider M50 and Slider M35 Top

The fixing of the Power profiles directly to the top of the cabinet with woodscrews (not included) does not require the additional interface profile, but it requires space above the cabinet to fix the screws from above.



Mechanism	A	G RE	G RI	H RE	H RI	D RE	D RI	E	F
Slider M50 • Slider M50+	7	247	236	312	301	480	469	60	85
Slider M35	3	251	240	316	305	484	473	54	81
Slider M35 Top	3	251	240	316	305	484	473	60	85

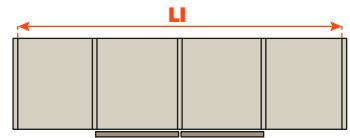
RE = Surface - mounted adjusters

RI = Recessed adjusters

**Power kit • slider M35 • Slider M35 Top • Slider M50• Reverso**

Configure the Power kit by selecting the part numbers at points 1, 2 and 3.

- 1 •** According to the internal width of the cabinet (LI) select the motor unit.  
 Left door: Kit M2  
 Right door: Kit M1



		LI		
System	Part number	LI<2406	2406+3156	LI>3156
<b>KIT M1</b>	VE71KITM008A			
	VE71KITM006A			
	VE71KITM004A			

		LI		
System	Part number	LI<2406	2406+3156	LI>3156
<b>KIT M2</b>	VE71KITM007A			
	VE71KITM005A			
	VE71KITM003A			

- 2 •** Select the control unit kit.

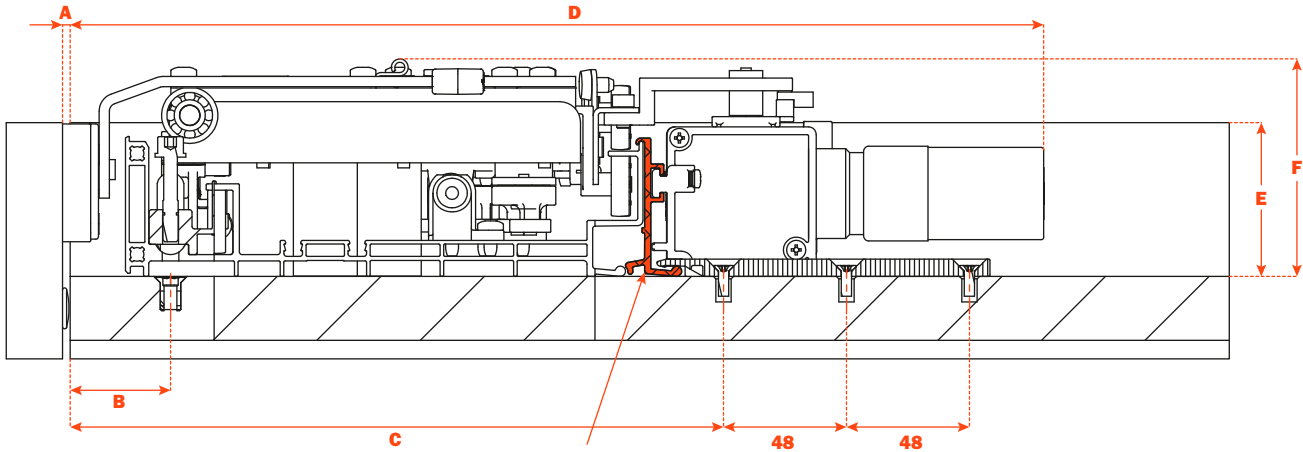
		Part number
	Control unit + Transformer + Cable with Schuko plug + 12 fixing clips	<b>VE71KITE201A.01</b>
	Control unit + Transformer + Cable with US plug + 12 fixing clips	<b>VE71KITE205A.01</b>

- 3 •** For a Reverso system you always need two connection kits VE71KITA211A.

	Description	Part number	Coplanar, Reverso	
			Right single door	Left single door
	Connection kit for motor unit	<b>VE71KITA211A</b>		

**Power kit premounted on mechanism • Slider M35, Slider M35 Top and Slider M50 • Reverso**

The pre-assembly through the interface profile makes the Power kit integral with the mechanism. This pre-assembly has been developed to facilitate the installation in a wall recess and all cases in which it is not possible to screw the motorisation profiles from above.



**Connection or interface profile VE71KITF101A • VE71KITF103A (see page 37)**

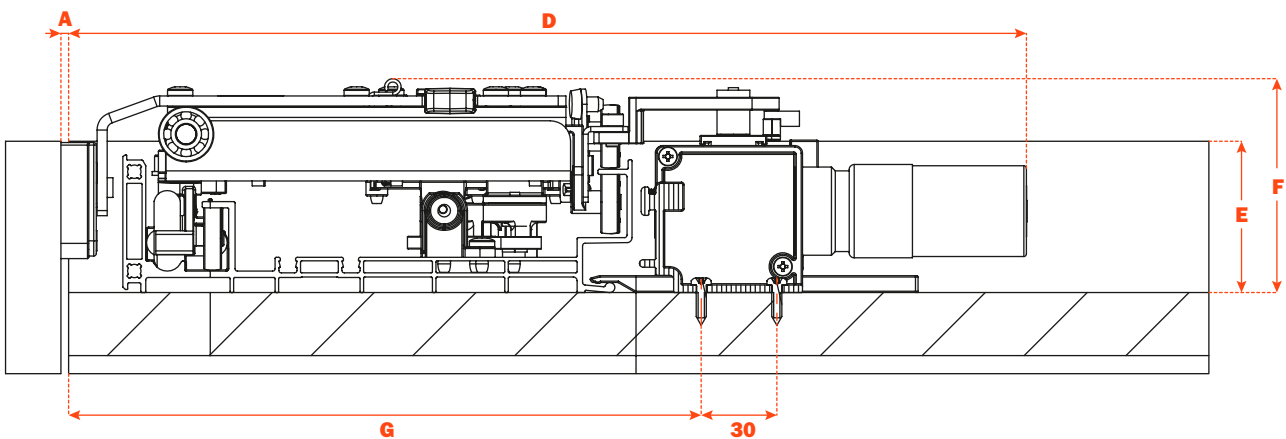
Mechanism	A	B RE	B RI	C RE	C RI	D RE	D RI	E	F
Slider M50 • Slider M50+	7	35	24	251	240	415	404	60	85
Slider M35	3	39	28	255	244	419	408	54	81
Slider M35 Top	3	39	28	255	244	419	408	60	85

**RE** = Surface - mounted adjusters

**RI** = Recessed adjusters

**Power kit with direct fixing to the top of the cabinet • Slider M35, Slider M35 Top and Slider M50 • Reverso**

The fixing of the Power profiles directly to the top of the cabinet with woodscrews (not included) does not require the additional interface profile, but it requires space above the cabinet to fix the screws from above.



Mechanism	A	G RE	G RI	D RE	D RI	E	F
Slider M50 • Slider M50+	7	247	236	415	404	60	85
Slider M35	3	251	240	419	408	54	81
Slider M35 Top	3	251	240	419	408	60	85

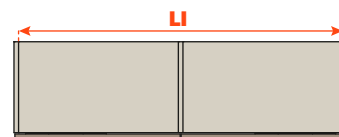
**RE** = Surface - mounted adjusters

**RI** = Recessed adjusters

### Kit Power • Slider M50 Flex

Configure the Power kit by selecting the part numbers at points 1, 2 and 3.

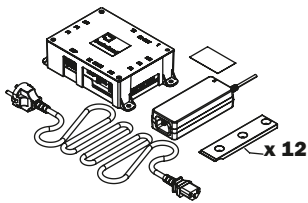
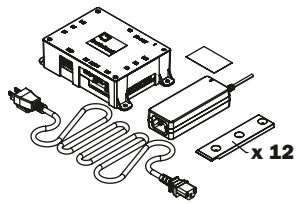
- 1 •** According to the internal width of the cabinet (LI) select the motor unit.  
System with 2 doors: Kit M1 + Kit M2



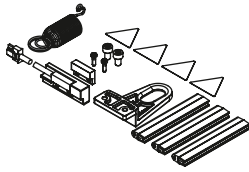
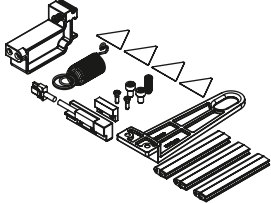
		LI				
System	Part number	1531÷1663	1663÷1830	1830÷2443	2443÷2580	2580÷3200
KIT M1	VE71KITM006A					
	VE71KITM004A					
	VE71KITM002A					

		LI				
System	Part number	1531÷1663	1663÷1830	1830÷2443	2443÷2580	2580÷3200
KIT M2	VE71KITM005A					
	VE71KITM003A					
	VE71KITM001A					

- 2 •** Select the control unit kit.

		Part number
	Control unit + Transformer + Cable with Schuko plug + 12 fixing clips	<b>VE71KITE201A.01</b>
	Control unit + Transformer + Cable with US plug + 12 fixing clips	<b>VE71KITE205A.01</b>

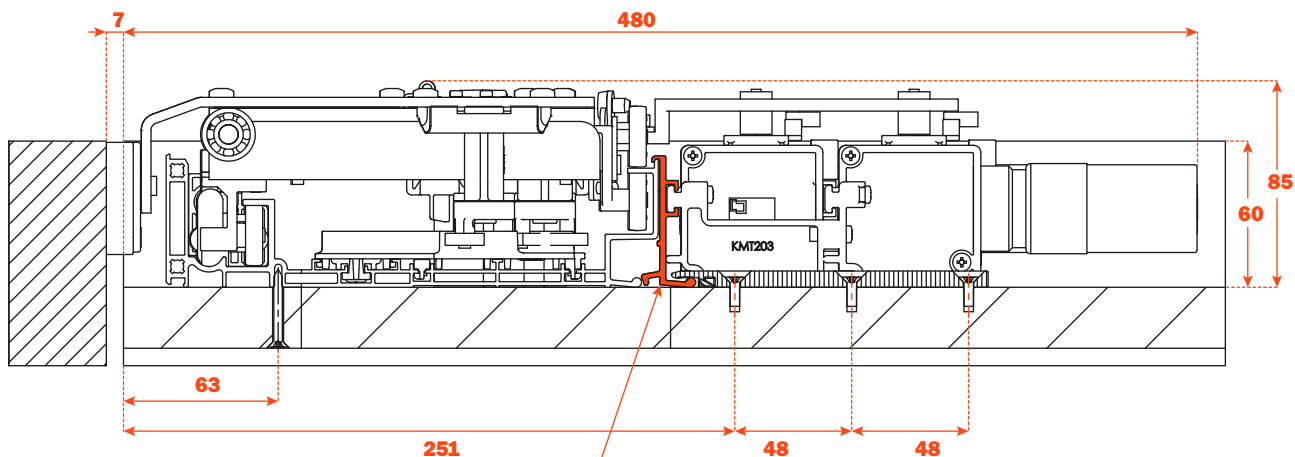
- 3 •** Select the kit for the connection of the mechanism to the motor unit according to the doors configuration.

	Description	Part number	Right door	Left door
	Connection kit for motor unit, short lever	<b>VE71KITA211A</b>		
	Connection kit for motor unit, long lever	<b>VE71KITA212A</b>		



### Power kit premounted on mechanism • Slider M50 Flex

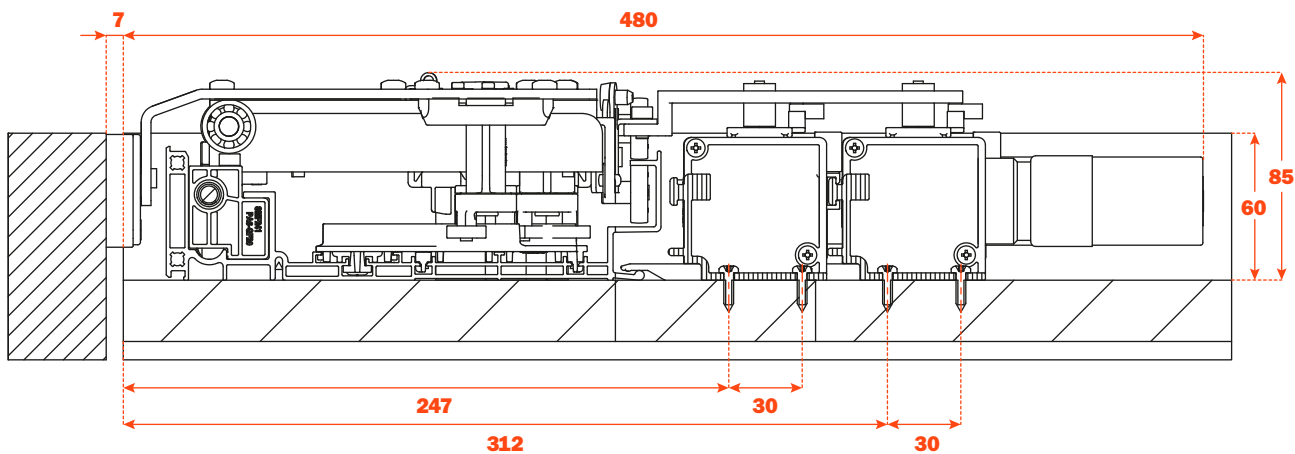
The pre-assembly through the interface profile makes the Power kit integral with the mechanism. This pre-assembly has been developed to facilitate the installation in a wall recess and all cases in which it is not possible to fix the motorisation profiles from above.



Interface profile VE71KITF103A (see page 37)

### Power kit with direct fixing to the top of the cabinet • Slider M50 Flex

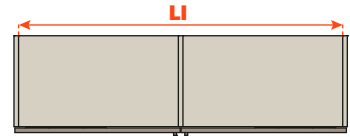
The fixing of the Power profiles directly to the top of the cabinet with woodscrews (not included) does not require the additional interface profile, but it requires space above the cabinet to fix the screws from above.



**Power kit • slider L70 2 doors**

Compose the Power kit by selecting the part numbers at points 1, 2 and 3.

- 1 •** According to the internal width of the cabinet (LI) select the motor unit.  
 System with 2 doors: Kit M1 + Kit M2  
 System with left single door: Kit M1  
 System with right single door: Kit M2



		LI				
System	Part number	LI<1663	1663+1708	1708+2443	2443+2458	LI>2458
<b>KIT M1</b>	<b>VE71KITM006A</b>					
	<b>VE71KITM004A</b>					
	<b>VE71KITM002A</b>					

		LI				
System	Part number	LI<1663	1663+1708	1708+2443	2443+2458	LI>2458
<b>KIT M2</b>	<b>VE71KITM005A</b>					
	<b>VE71KITM003A</b>					
	<b>VE71KITM001A</b>					

- 2 •** Select the control unit kit.

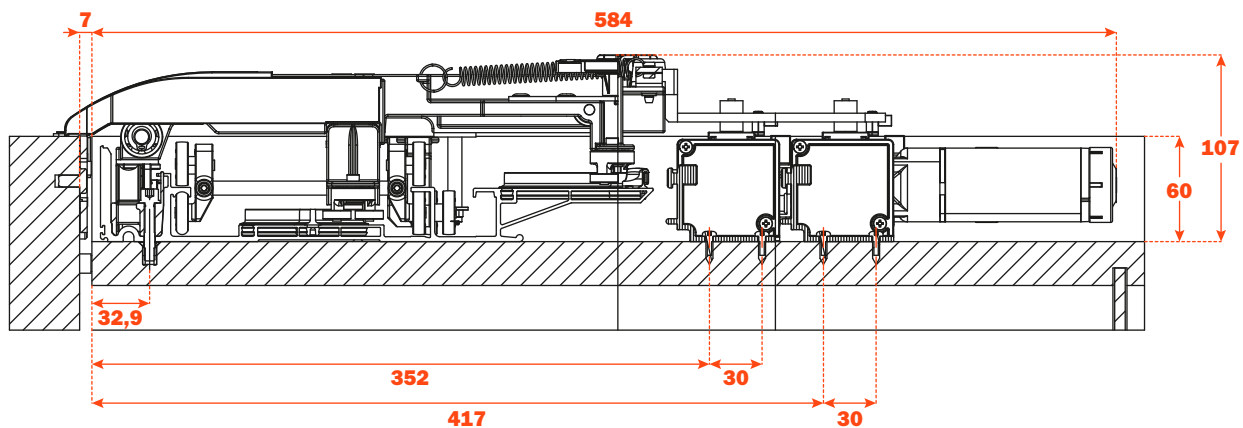
		Part number
	Control unit + Transformer + Cable with Schuko plug + 12 fixing clips	<b>VE71KITE201A.01</b>
	Control unit + Transformer + Cable with US plug + 12 fixing clips	<b>VE71KITE205A.01</b>

- 3 •** Select the kit for the connection of the mechanism to the motor unit according to the doors configuration.

	Description	Part number	Coplanar, single door		Coplanar, two doors	
			Right single door	Left single door	Right door	Left door
	Connection kit for motor unit, short lever	<b>VE71KITC611A</b>				
	Connection kit for motor unit, long lever	<b>VE71KITC612A</b>				

### Power kit with direct fixing to the top of the cabinet • Slider L70 2 doors

The fixing of the Power profiles directly to the top of the cabinet with woodscrews (not included) does not require the additional interface profile, but it requires space above the cabinet to fix the screws from above. The Power kit premounted on mechanism is not available.

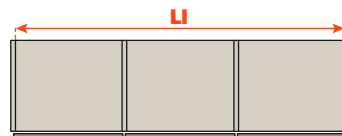


### Power kit • slider L70 3 doors

Configure the Power kit by selecting the part numbers at points 1, 2 and 3.

**1 •** According to the internal width of the cabinet (LI) select the motor unit.

- System with left door: Kit M1
- System with central door: Kit M2
- System with right door: Kit M2

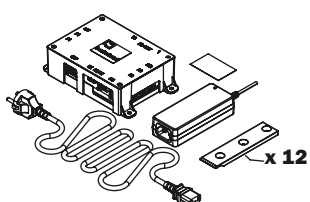
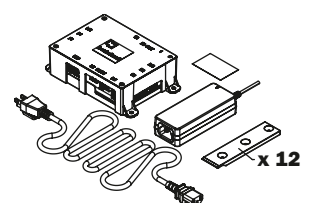


		LI				
System	Part number	LI<2179	2179+2437	2437+2899	2899+3187	LI>3187
<b>KIT M1</b> <b>left door</b>	<b>VE71KITM008A</b>					
	<b>VE71KITM006A</b>					
	<b>VE71KITM004A</b>					

		LI				
System	Part number	LI<2179	2179+2437	2437+2899	2899+3187	LI>3187
<b>KIT M2</b> <b>central door</b>	<b>VE71KITM005A</b>					
	<b>VE71KITM003A</b>					
	<b>VE71KITM001A</b>					

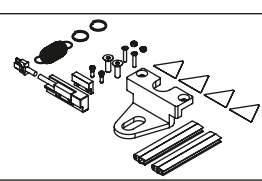
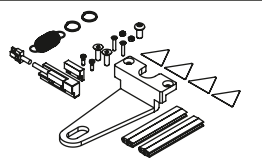
		LI				
System	Part number	LI<2179	2179+2437	2437+2899	2899+3187	LI>3187
<b>KIT M2</b> <b>right door</b>	<b>VE71KITM007A</b>					
	<b>VE71KITM005A</b>					
	<b>VE71KITM003A</b>					

**2 •** Select the control unit kit.

		Part number
	Control unit + Transformer + Cable with Schuko plug + 12 fixing clips	<b>VE71KITE201A.01</b>
	Control unit + Transformer + Cable with US plug + 12 fixing clips	<b>VE71KITE205A.01</b>

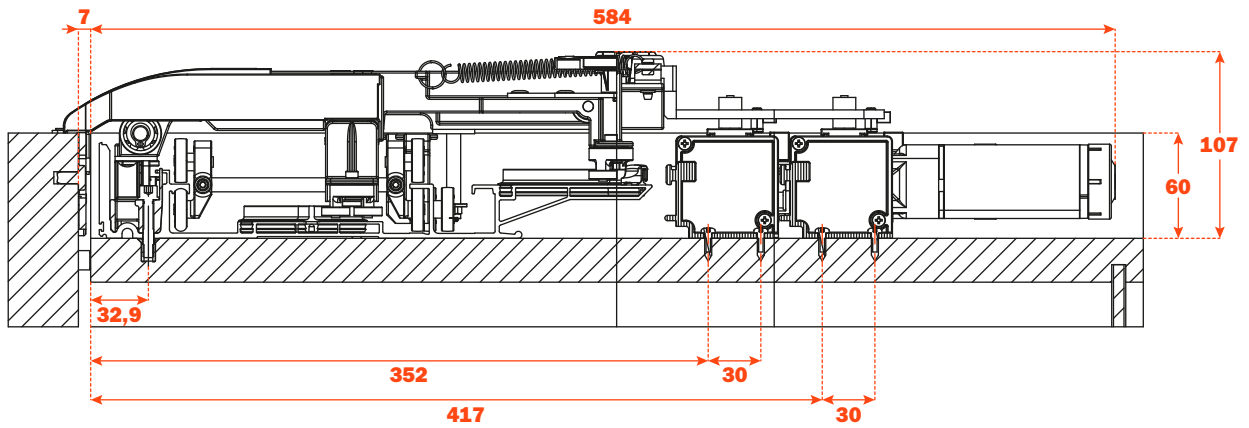
NB for mechanisms with 3 doors, 2 control units and a VE71KITE211A control units connection cable are always required (see page 36)

**3 •** Select the kit for the connection of the mechanism to the motor unit according to the doors configuration.

	Description	Part number	Coplanar, three doors		
			Right door	Central door	Left door
	Connection kit for motor unit, short lever	<b>VE71KITC611A</b>			
	Connection kit for motor unit, long lever	<b>VE71KITC612A</b>			

### Power kit with direct fixing to the top of the cabinet - Slider L70 3 doors

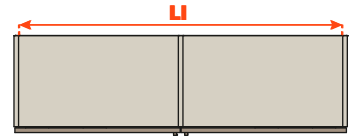
The fixing of the Power profiles directly to the top of the cabinet with woodscrews (not included) does not require the additional interface profile, but it requires space above the cabinet to fix the screws from above. The Power kit premounted on mechanism is not available.



**Kit Power • Slider L70 Flex 2 doors**

Configure the Power kit by selecting the part numbers at points 1, 2 and 3.

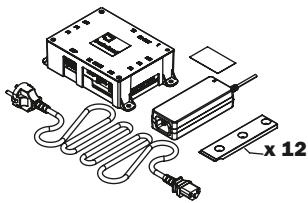
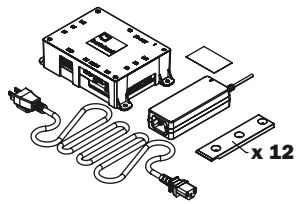
- 1 •** According to the internal width of the cabinet (LI) select the motor unit.  
System with 2 doors: Kit M1 + Kit M2



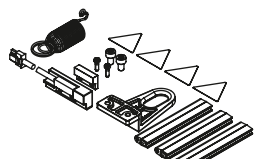
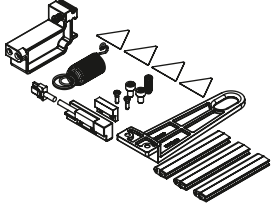
		LI		
System	Part number	1731÷2443	2443÷2464	2464÷3400
<b>KIT M1</b>	<b>VE71KITM004A</b>			
	<b>VE71KITM002A</b>			

		LI		
System	Part number	1731÷2443	2443÷2464	2464÷3400
<b>KIT M2</b>	<b>VE71KITM003A</b>			
	<b>VE71KITM001A</b>			

- 2 •** Select the control unit kit.

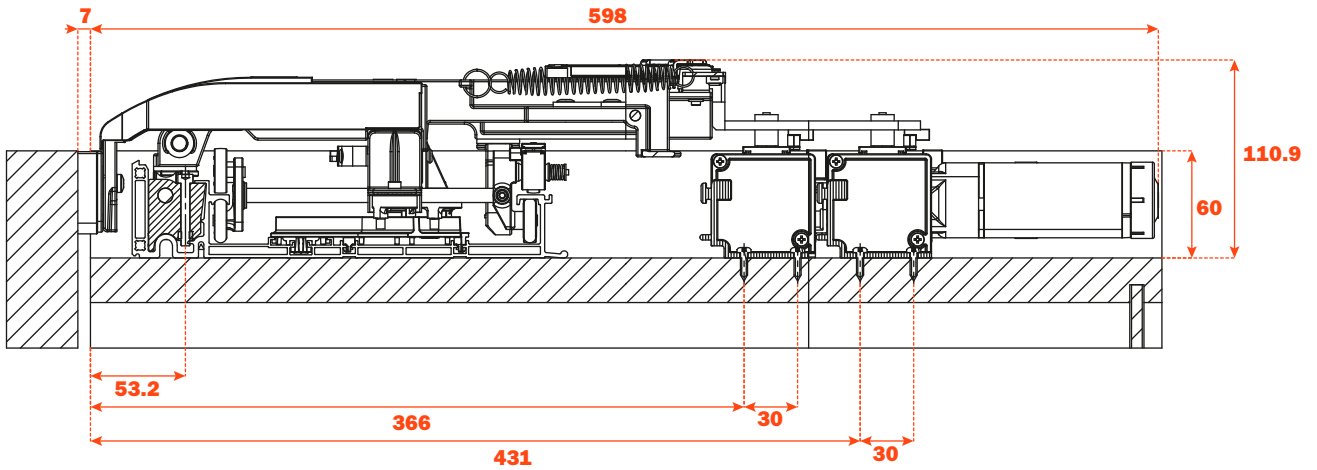
		Part number
	Control unit + Transformer + Cable with Schuko plug + 12 fixing clips	<b>VE71KITE201A.01</b>
	Control unit + Transformer + Cable with US plug + 12 fixing clips	<b>VE71KITE205A.01</b>

- 3 •** Select the kit for the connection of the mechanism to the motor unit according to the doors configuration.

	Description	Part number	Right door	Left door
	Connection kit for motor unit, short lever	<b>VE71KITC611A</b>		
	Connection kit for motor unit, long lever	<b>VE71KITC612A</b>		

### Power kit with direct fixing to the top of the cabinet • Slider L70 Flex 2 doors

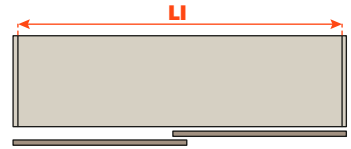
The fixing of the Power profiles directly to the top of the cabinet with woodscrews (not included) does not require the additional interface profile, but it requires space above the cabinet to fix the screws from above. The Power kit premounted on mechanism is not available.



**Power kit • Glow+ 2 doors**

Configure the Power kit by selecting the part numbers at points 1, 2 and 3.

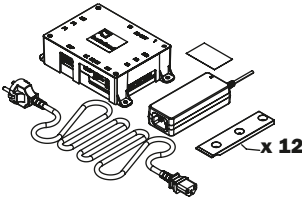
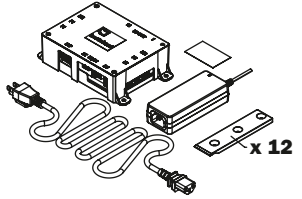
- 1 •** According to the internal width of the cabinet (LI) select the motor unit.  
 Door opening from the left to the right: Kit M1  
 Door opening from the right to the left: Kit M2



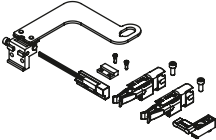
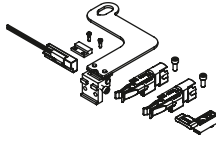
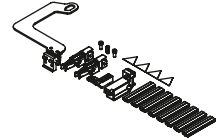
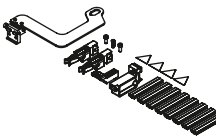
		<b>LI</b>			
System	Part number	LI<1295	1295+1670	1670+2450	LI>2450
<b>KIT M1</b>	VE71KITM008A				
	VE71KITM006A				
	VE71KITM004A				
	VE71KITM002A				

		<b>LI</b>			
System	Part number	LI<1291	1291+1666	1666+2446	LI>2446
<b>KIT M2</b>	VE71KITM007A				
	VE71KITM005A				
	VE71KITM003A				
	VE71KITM001A				

- 2 •** Select the control unit kit.

		Part number
	Control unit + Transformer + Cable with Schuko plug + 12 fixing clips	<b>VE71KITE201A.01</b>
	Control unit + Transformer + Cable with US plug + 12 fixing clips	<b>VE71KITE205A.01</b>

- 3 •** Select the kit for the connection of the mechanism to the motor unit according to the doors configuration.

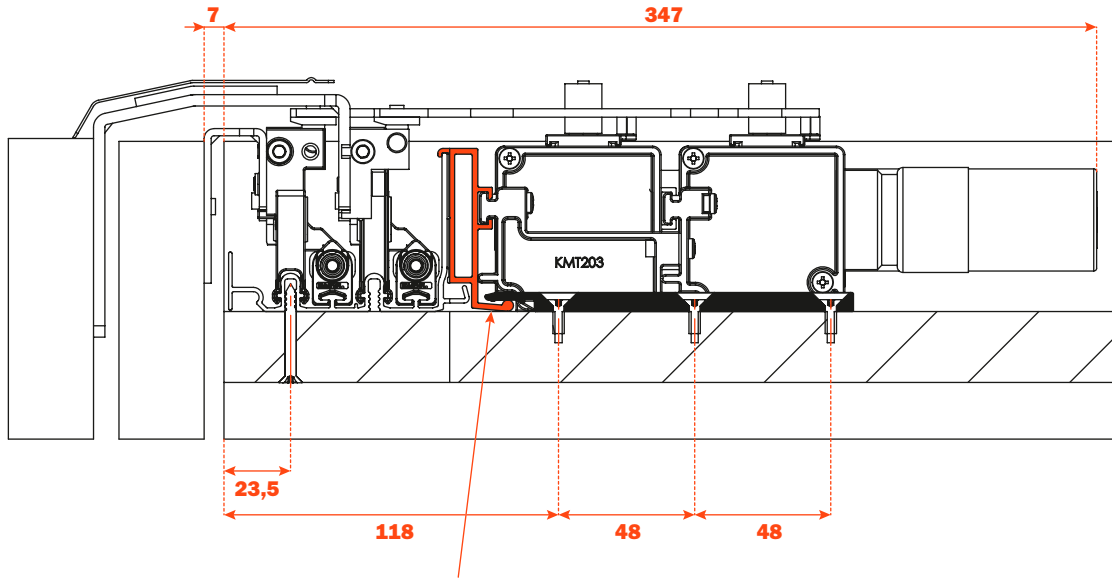
	Part number	Internal right-hand opening door	Internal left-hand opening door	External right-hand opening door	External left-hand opening door
	<b>VE71KITD412A</b>				
	<b>VE71KITD411A</b>				
	<b>VE71KITD414A</b>				
	<b>VE71KITD413A</b>				



### Power kit premounted on mechanism • Glow+ 2 doors

The pre-assembly through the interface profile makes the Power kit integral with the mechanism. This pre-assembly has been developed to facilitate the installation in a wall recess and all cases in which it is not possible to fix the motorisation profiles from above.

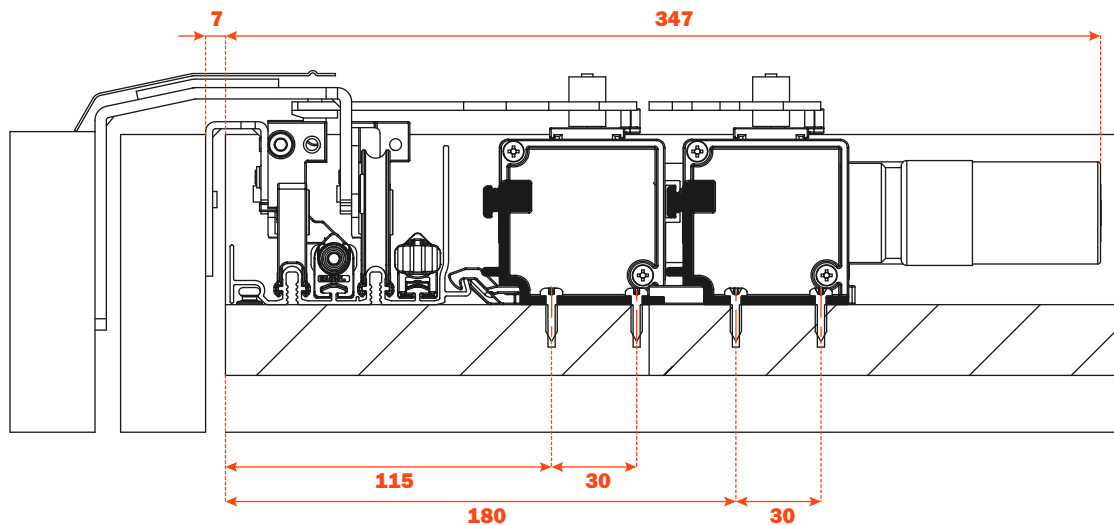
**The Power system can be pre-assembled only on Glow+ sliding system equipped with a reinforced upper profile.**



Connection or interface profile VE71KITF102A (see page 37)

### Power kit with direct fixing to the top of the cabinet • Glow+ 2 doors

The fixing of the Power profiles directly to the top of the cabinet with woodscrews (not included) does not require the additional interface profile, but it requires space above the cabinet to fix the screws from above.

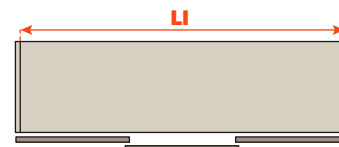


**Power Kit • Glow+ 3 doors**

Compose the Power kit by selecting the part numbers at points 1, 2 and 3.

**1 •** According to the internal width of the cabinet (LI) select the motor unit.

- Internal left door: Kit M1 internal door
- Internal right door: Kit M2 internal door
- External central door, with opening to the right: Kit M1
- External central door, with opening to the left: Kit M2



		LI		
System	Part number	LI<2415	2415+3165	LI>3165
<b>KIT M1</b> Internal door	VE71KITM008A			
	VE71KITM006A			
	VE71KITM004A			

		LI		
System	Part number	LI<2415	2415+3165	LI>3165
<b>KIT M1</b> External door	VE71KITM006A			
	VE71KITM004A			
	VE71KITM002A			

		LI		
System	Part number	LI<2415	2415+3165	LI>3165
<b>KIT M2</b> Internal door	VE71KITM007A			
	VE71KITM005A			
	VE71KITM003A			

		LI		
System	Part number	LI<2415	2415+3165	LI>3165
<b>KIT M2</b> External door	VE71KITM005A			
	VE71KITM003A			
	VE71KITM001A			

**2 •** Select the control unit kit.

		Part number
	Control unit + Transformer + Cable with Schuko plug + 12 fixing clips	<b>VE71KITE201A.01</b>
	Control unit + Transformer + Cable with US plug + 12 fixing clips	<b>VE71KITE205A.01</b>

NB for mechanisms with 3 doors, 2 control units and a VE71KITE211A control units connection cable are always required (see page 36)

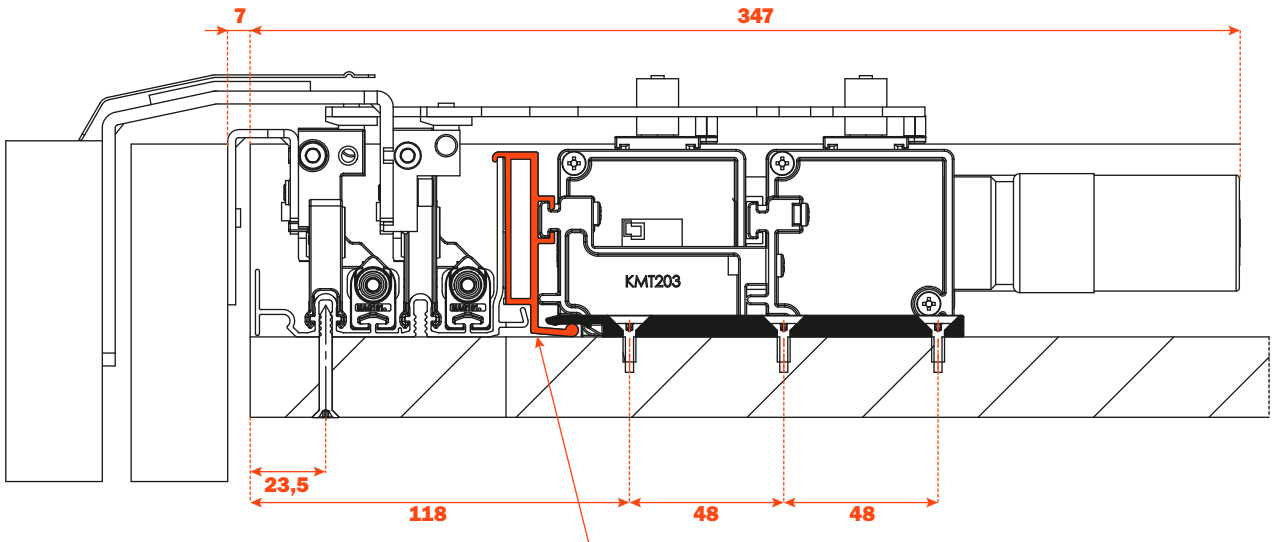
**3 •** Select the kit for the connection of the mechanism to the motor unit according to the doors configuration.

	Part number	Internal right-hand opening door	Internal left-hand opening door	External right-hand opening door	External left-hand opening door
	<b>VE71KITD412A</b>				
	<b>VE71KITD411A</b>				
	<b>VE71KITD414A</b>				
	<b>VE71KITD413A</b>				

### Power kit premounted on mechanism • Glow+ 3 doors

The pre-assembly through the interface profile makes the Power kit integral with the mechanism. This pre-assembly has been developed to facilitate the installation in a wall recess and all cases in which it is not possible to fix the motorisation profiles from above.

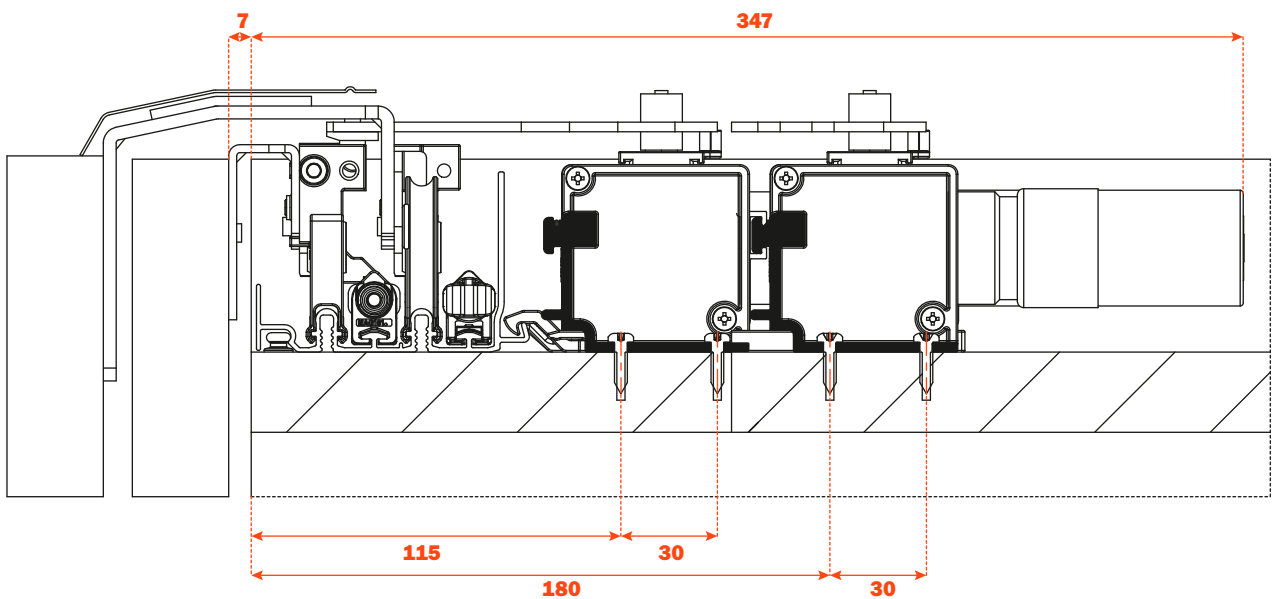
**The Power system can be pre-assembled only on Glow+ sliding system equipped with a reinforced upper profile.**



Interface profile VE71KITF102A (see page 37)

### Power kit with direct fixing to the top of the cabinet • Glow+ 3 doors

The fixing of the Power profiles directly to the top of the cabinet with woodscrews (not included) does not require the additional interface profile, but it requires space above the cabinet to fix the screws from above.







## Assembly examples

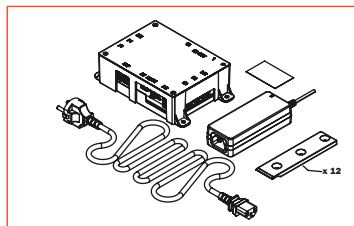
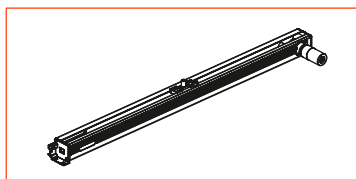
## Power kit compositions: Slider S20 Base cabinet

Motorisation example of a Slider S20 Base cabinet with two doors with Power kit fixed directly to the bottom panel of the cabinet with woodscrews.

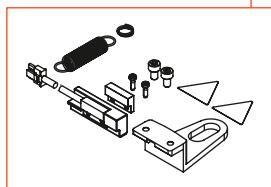
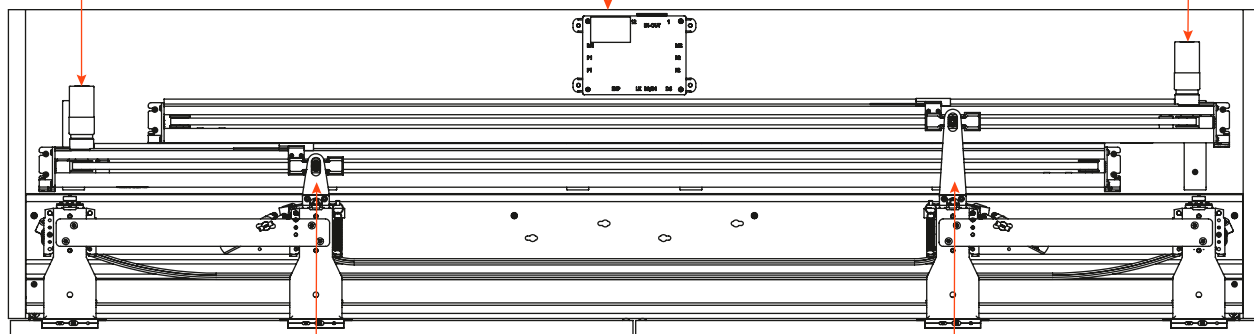
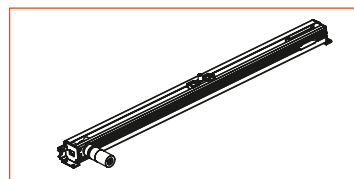
For the Slider S20 Base cabinet, the M1 motor unit will activate the right door while the M2 motor unit will activate the left door.

VE71KITE201A.01 \*

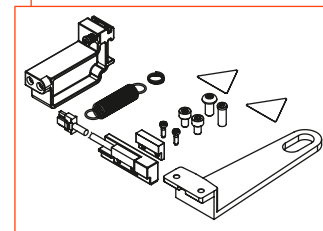
VE71KITM006A \*\*



VE71KITM005A \*\*



VE71KITB311A



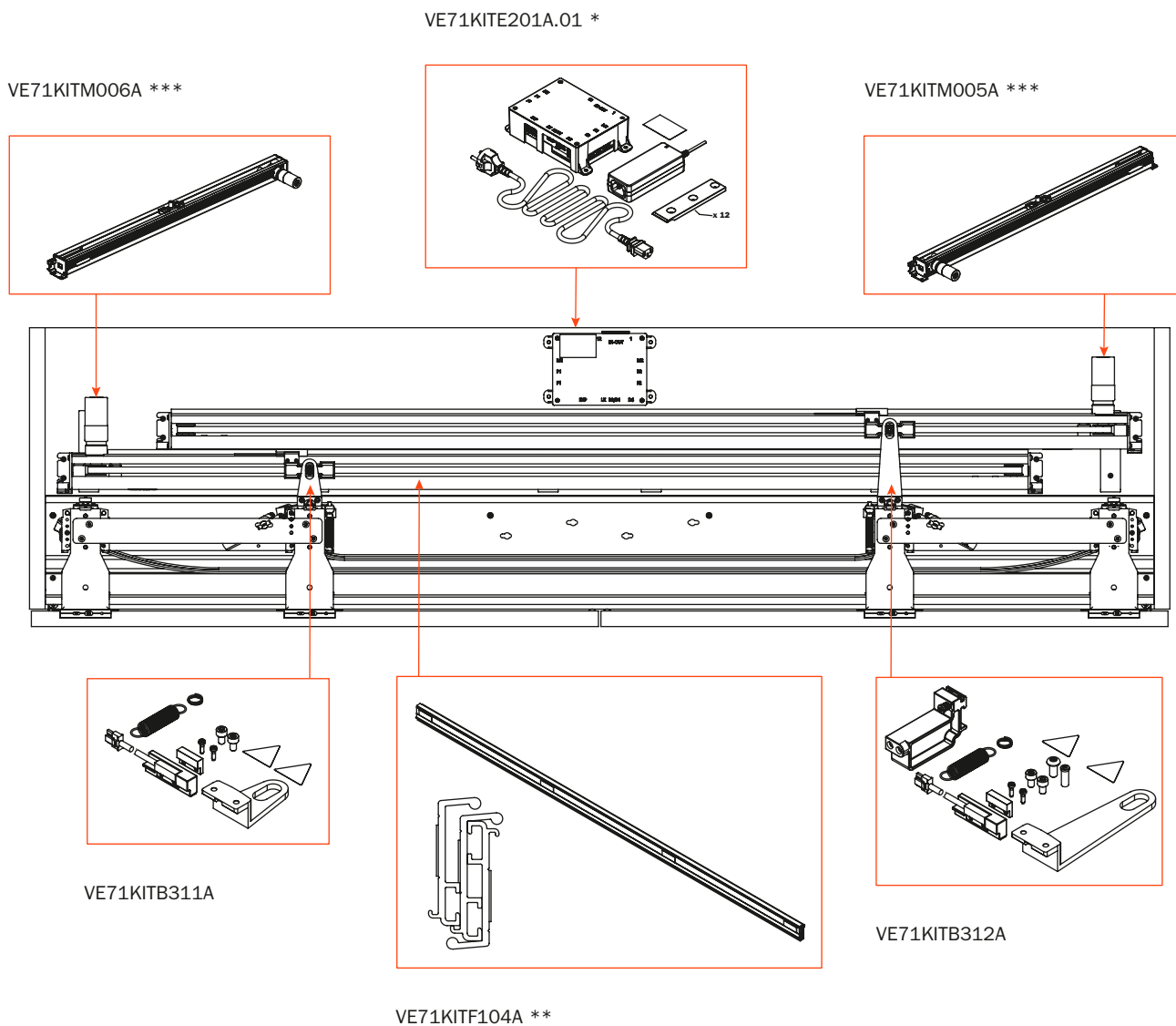
VE71KITB312A

\* kit with Schuko plug

\*\* in the example we consider LI = 1800 mm. For different dimensions, please use the tables Kit M1 and Kit M2 at page 4.

## Power kit compositions: Slider S20 Wall cabinet

Motorisation example of a Slider S20 Wall cabinet with two doors with Power kit premounted on mechanism through the interface profiles VE71KITF104A.



\* kit with Schuko plug

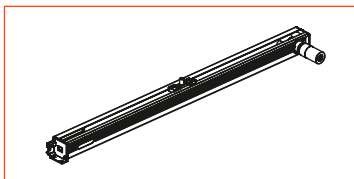
\*\* the interface profiles kit is an option to be used for installation in a wall recess

\*\*\* in the example we consider LI = 1800 mm. For different dimensions, please use the tables Kit M1 and Kit M2 at page 8.

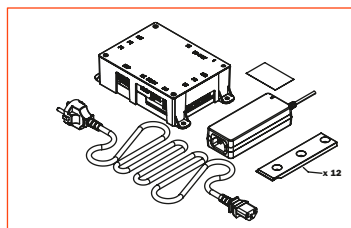
## Power kit compositions: Slider M50

Motorisation example of a Slider M50 with two doors with Power kit premounted on mechanism through the interface profiles VE71KITF103A.

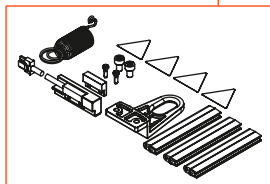
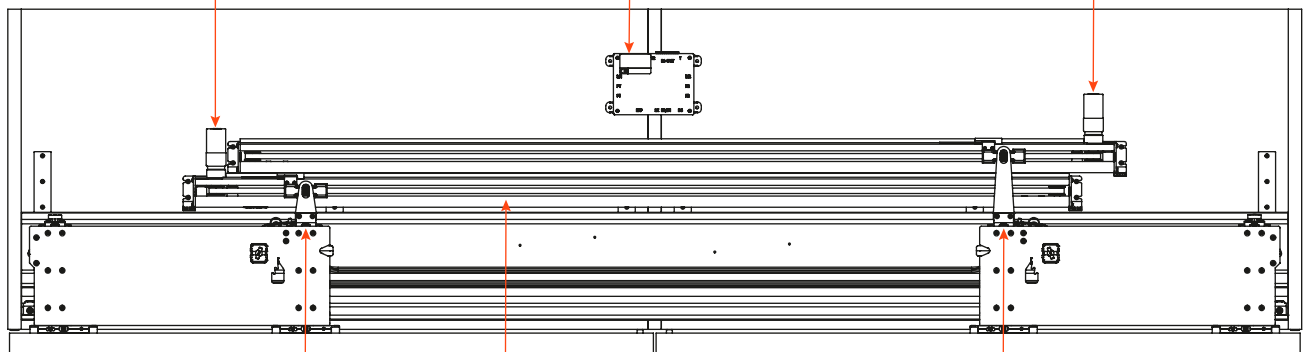
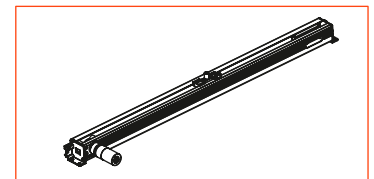
VE71KITM006A \*\*\*



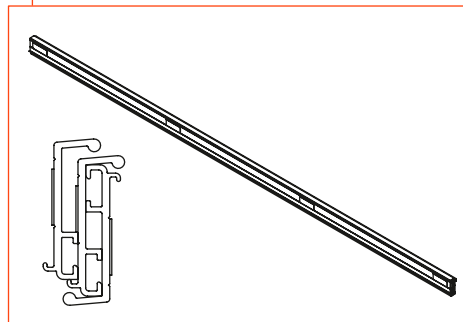
VE71KITE201A.01 \*



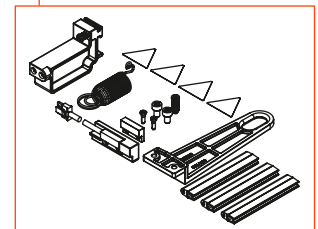
VE71KITM005A \*\*\*



VE71KITA211A



VE71KITF103A \*\*



VE71KITA212A

\* kit with Schuko plug

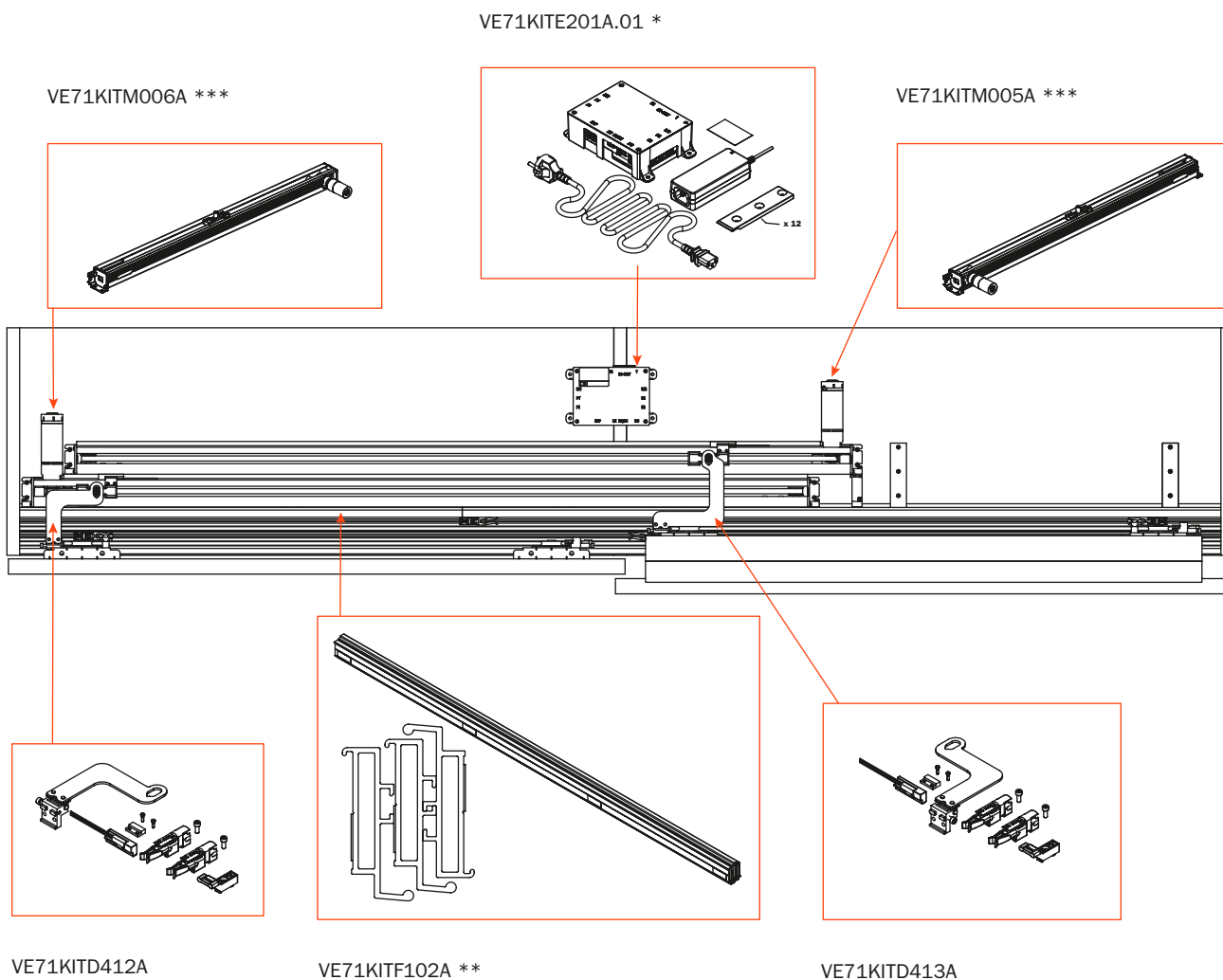
\*\* the interface profiles kit is an option to be used for installation in a wall recess

\*\*\* in the example we consider LI = 1800 mm. For different dimensions, please use the tables Kit M1 and Kit M2 at page 12.



## Power kit compositions: Glow+ 2 doors

Motorisation example of a Glow+ sliding system with two doors with Power kit premounted on mechanism through the interface profiles VE71KITF102A.



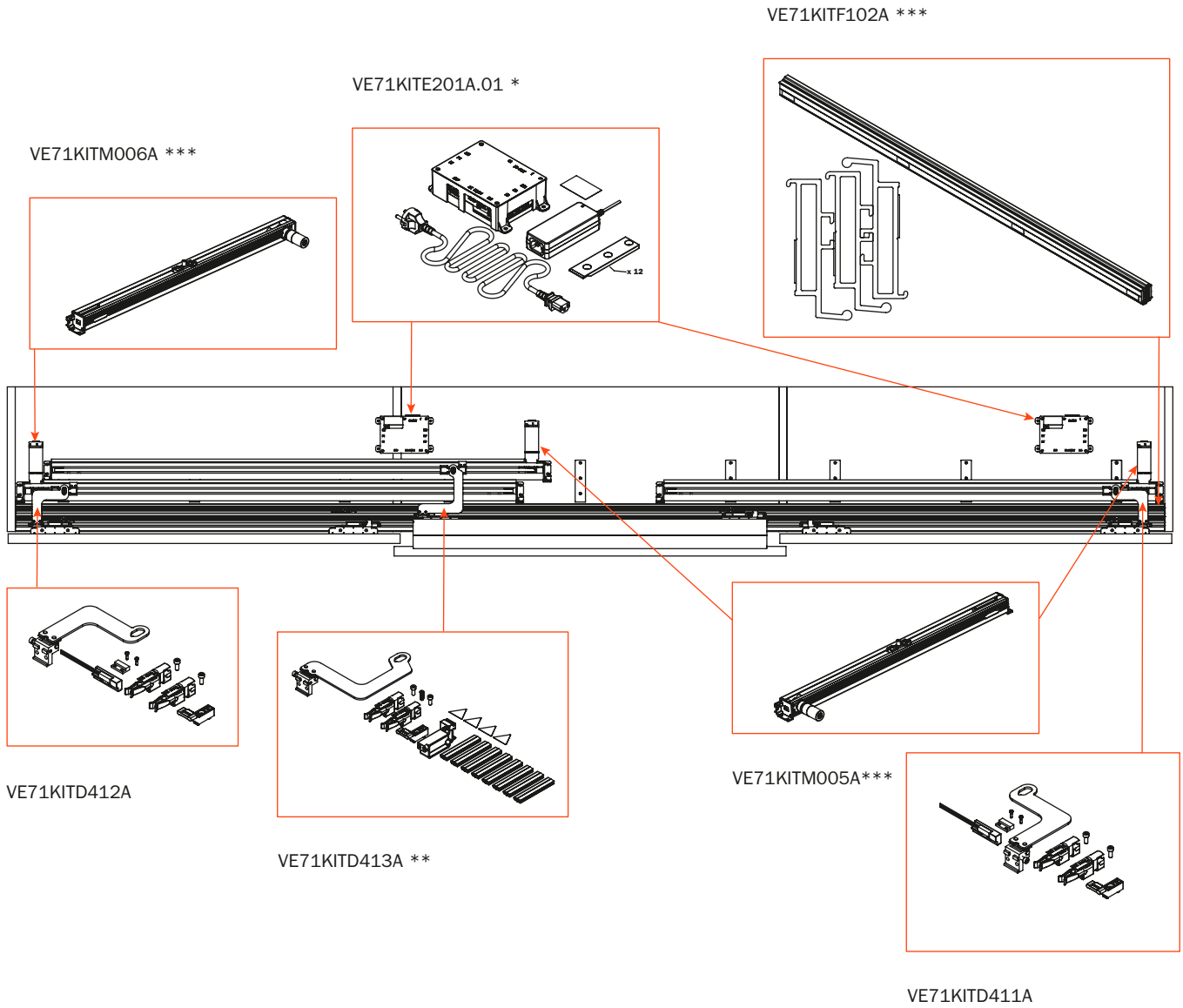
\* kit with Schuko plug

\*\* the interface profiles kit is an option to be used for installation in a wall recess

\*\*\* in the example we consider LI = 1600 mm. For different dimensions, please use the tables Kit M1 and Kit M2 at page 24.

## Power kit compositions: Glow+ 3 doors

Motorisation example of a Glow+ sliding system with three doors with Power kit premounted on mechanism through the interface profiles VE71KITF102A.



\* kit with Schuko plug

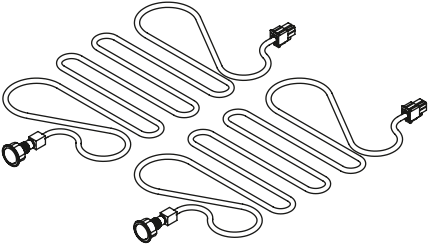
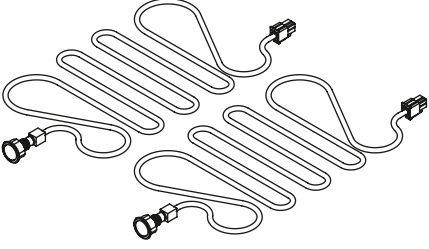
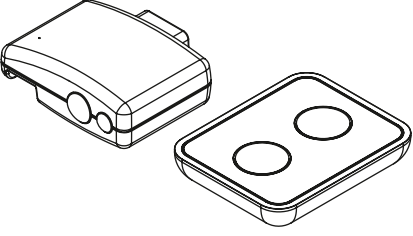
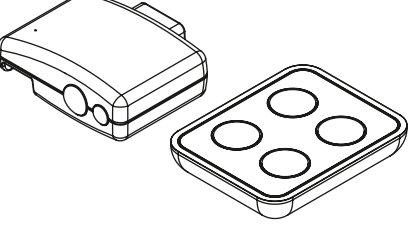
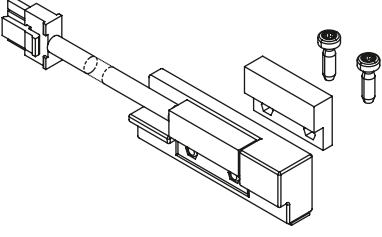
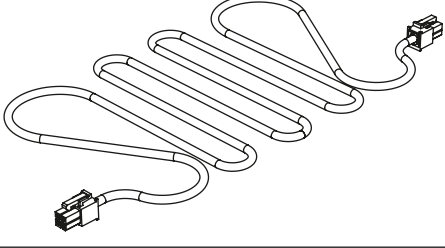
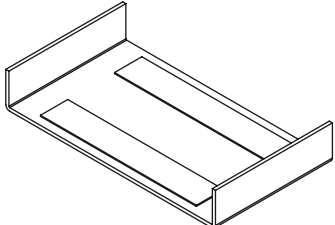
\*\* the interface profiles kit is an option to be used for installation in a wall recess

\*\*\* in the example we consider LI = 2600 mm. For different dimensions, please use the tables Kit M1 and Kit M2 at page 24.

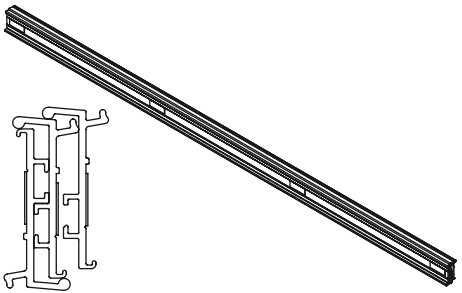
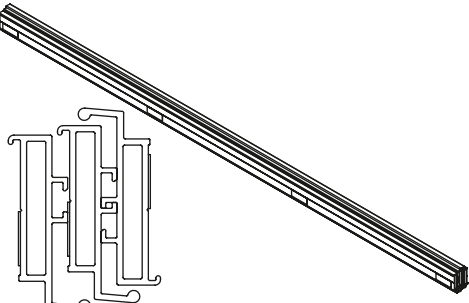
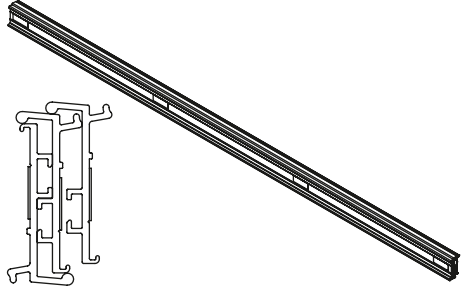
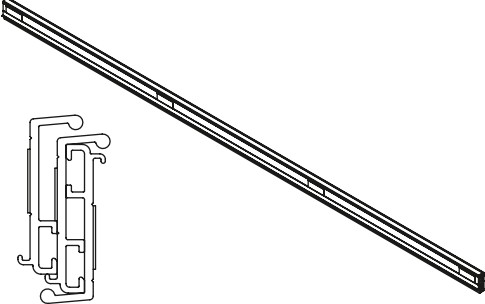


# Option

**Option**

	<b>Part number</b>	<b>Description</b>
	VE71KITE208A	<p><b>M50 • M50 Flex • L70 • Glow+</b> Kit with green luminous buttons to be inserted into the external side with 3000 mm pre-wired cable and minifit final element.</p>
	VE71KITE209A	<p><b>S20 • M35</b> Kit with green luminous buttons to be inserted into the external side with 3000 mm pre-wired cable and minifit final element.</p>
	VE71KITE230.0	Kit with remote control with 2 buttons and receiver.
	VE71KITE231.0	Kit with remote control with 4 buttons and receiver.
	VE71KITE210A	Kit with sensors and buffers.
	VE71KITE211A	<p>Kit with control units connection cable. Used to synchronise two control units for mechanisms with 3 or 4 doors.</p>
	VE71KITE240A	<p><b>Glow+ 3 doors</b> Kit with motor unit support</p>

Kit with interface profiles to premount the motorisation system to a mechanism.

	<b>Part number</b>	<b>Description</b>
	VE71KITF101A	<p>Kit with interface profiles for Slider M35. 3 profiles (length 1.5 mt) with double-sided adhesive pad.</p>
	VE71KITF102A	<p>Kit with interface profiles for Glow+. 3 profiles (length 1.5 mt) with double-sided adhesive pad.</p>
	VE71KITF103A	<p>Kit with interface profiles for Slider M35 Top, Slider M50 and Slider M50 Flex. 3 profiles (length 1.5 mt) with double-sided adhesive pad.</p>
	VE71KITF104A	<p>Kit with interface profiles for Slider S20. 3 profiles (length 1.5 mt) with double-sided adhesive pad.</p>





## ARTURO SALICE S.p.A.

VIA PROVINCIALE NOVEDRATESE, 10  
22060 NOVEDRATE (COMO) ITALIA  
TEL. 031 790424 - FAX 031 791508  
info.salice@salice.com - www.salice.com

## DEUTSCHE SALICE GMBH

RUDOLF DIESEL STR. 10  
POSTFACH 1154  
74382 NECKARWESTHEIM  
TEL. 07133 9807-0  
FAX. 07133 9807-16  
info.salice@deutschesalice.de  
www.salice.com

## DEUTSCHE SALICE GMBH

VERKAUFSBÜRO NORD  
RINGSTRASSE 36/A30 CENTER  
32584 LÖHNE  
TEL. 05731 15608-0  
FAX. 05731 15608-10  
vknord@deutschesalice.de  
www.salice.com

## SALICE UK LTD.

KINGFISHER WAY  
HINCHINGBROOKE BUSINESS PARK  
HUNTINGDON CAMBS PE 29 6FN  
TEL. 01480 413831  
FAX. 01480 451489  
info.salice@saliceuk.co.uk  
www.salice.com

## BORTOLUZZI SISTEMI S.p.A.

VIA CADUTI 14 SETTEMBRE 1944, 45  
32100 BELLUNO ITALIA  
TEL. 0437 930866 - FAX 0437 931442  
info@bortoluzzi.com - www.bortoluzzi.com

## SALICE FRANCE S.A.R.L.

285 RUE DE GOA ZAC LES 3 MOULINS  
06600 ANTIBES  
TEL. 0493 330069  
FAX. 0493 330141  
info.salice@salicefrance.com  
www.salice.com

## SALICE ESPAÑA, S.L.U.

CALLE COPÉRNICO, 11  
POLÍGONO INDUSTRIAL COLL DE LA MANYA  
08403 GRANOLLERS (BARCELONA)  
TEL. 938 45 88 61  
FAX 938 49 11 97  
info.salice@saliceespana.es  
www.salice.com

## SALICE PORTUGAL UNIP. LDA

VIA ROTA DOS MÓVEIS I n.399  
4585-325 GANDRA-PAREDES (DISTRITO PORTO)  
TEL. 00351 224 154 221  
info@saliceportugal.pt  
www.salice.com

## SALICE CHINA (SHANGHAI) CO. LTD.

1st FLOOR, B1 BLDG 928 MINGZHU ROAD  
XUJING, QINGPU DISTRICT  
SHANGHAI 201702 - CHINA  
TEL. 021 3988 9880  
FAX. 021 3988 9882  
info.salice@salicechina.com  
www.salicechina.com

## SALICE INDIA PVT. LTD.

1001 & 1002, 10TH FLOOR,  
CENTRUM, PLOT NO. C-3,  
OPP. WAGLE PRABHAG SAMITI OFFICE,  
MIDC AREA, WAGLE INDUSTRIAL ESTATE,  
THANE - 400604, MAHARASHTRA  
TEL. 022 20812050  
info@saliceindia.com  
www.salice.com

## SALICE CANADA INC.

3500 RIDGEWAY DRIVE,  
UNIT#1  
MISSISSAUGA, ONTARIO, L5L 0B4  
TEL. 905 820 8787  
FAX. 905 820 7226  
info.salice@salicecanada.com  
www.salicecanada.com

## SALICE AMERICA INC.

2123 CROWN CENTRE DRIVE  
CHARLOTTE NC. 28227  
TEL. 704 841 7810  
FAX. 704 841 7808  
info.salice@saliceamerica.com  
www.saliceamerica.com



**Digital contents**

**We reserve the right to change technical specifications without notice.**

DOCASS017ENG Ed. 01 - 09/2022

