



Kitchen space organizers

SALICE

Index



Pull-out base filler page 6



Pull-out organizer page 8



Wire pull out drawers page 9



Smart corner page 11



Fly box page 12



Fly moon page 14



Swivel carousels page 16



Rotating pantry unit page 18



Straight pantry unit page 19



Maxi pantry unit page 20



Waste / Recycle page 22



Waste recycle pullouts page 24



Under the sink pullouts page 28



Waste recycle accessories page 30

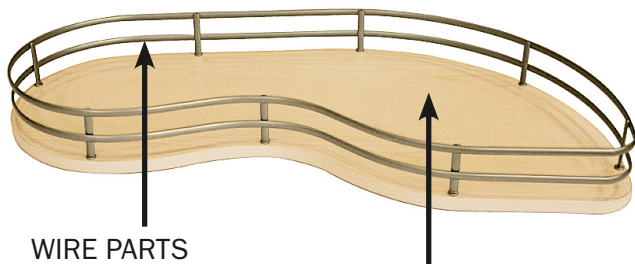
General specifications



The picture shows right hand version.



PRODUCT DETAILS
CODE = Product code
W = Width
D = Depth
H = Height
Dx = right
Sx = left



WIRE PARTS

BOTTOM MATERIAL

Pull-out pivoting shelves with non slip bottom. Non reversible

Part#	Depth	Width	Height
QFLY40DXG20M	13-5/8"	29"	3-3/8"

The catalog part numbers do not specify the finish of the material. Add the desired finish code to the end of the part number when ordering

Example - QFLY40DXG20M**VCH**

C - Chrome wire/
White melamine bottom

VCH - Champagne wire/
American maple
melamine bottom

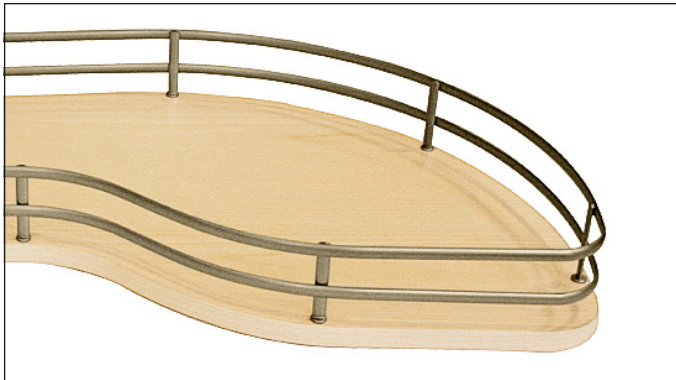
GC - Chrome wire/
Gray melamine bottom

VG - Gray finish

Available colors:

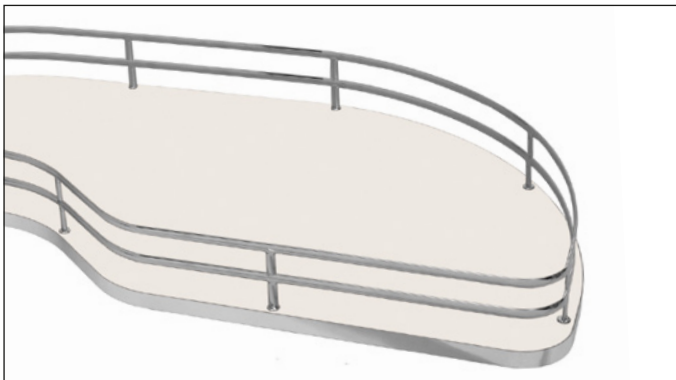
Melamine bottom - American Maple, White or Gray

Steel wire parts - Chrome or Champagne (elliptical shape)



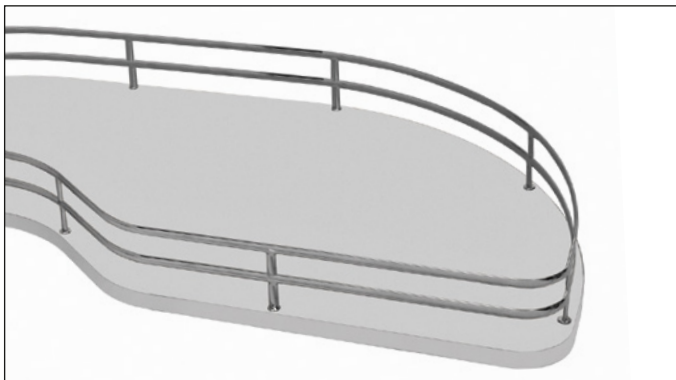
VCH

Champagne wire/American maple melamine bottom



C

Chrome wire/White melamine bottom



GC

Chrome wire/Gray melamine bottom

CLEANING AND MAINTENANCE INSTRUCTIONS:

Use a clean damp cloth, preferably microfiber (non-abrasive). Dry using a dry microfiber cloth.

Pull-out base filler



Technical Information

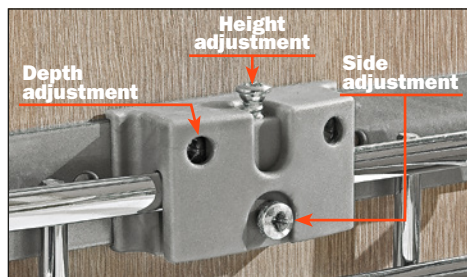
Minimum opening 6", 2 or 3-tier base organizer, full extension soft close, non slip melamine surface, for frame and frameless cabinets, load capacity 75 lbs (35 kg), 3-way door adjustment, comes fully assembled ready to be installed.

Kit contents: 2- or 3-tier side pull-out unit, full extension soft close slide, (2) adjustable door-mounting brackets, assembly instructions and drilling template.

Door-mount bracket

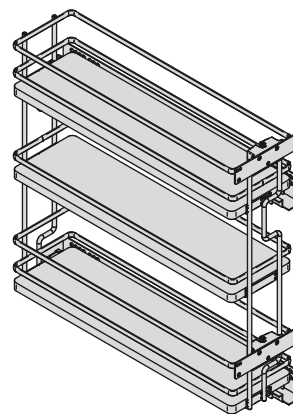
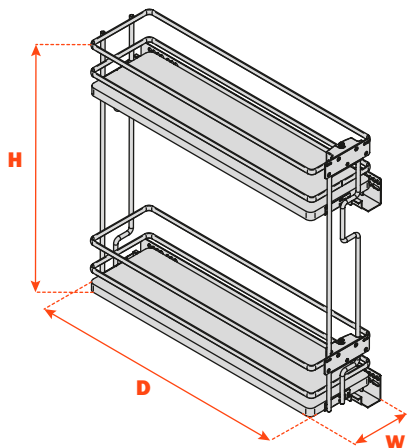
Features:

Patented system; 3 way adjustability for alignment of the cabinet door: height (+/- 2 mm), side (+/- 3 mm) and depth (+ 4 mm) adjustments, easy installation with only two screws; suitable for standard style doors and five piece doors as well - Use a #2 pozi driver to adjust.



Technical information

The drawing shows right hand version



Two-tier base organizer

Part#	Version	Depth	Width	Height
QELQAM6DXOM	Right	21-3/8"	5-3/4"	21"
QELQAM6SXOM	Left	21-3/8"	5-3/4"	21"

Three-tier base organizer

Part#	Version	Depth	Width	Height
QELQAM63DXOM	Right	21-3/8"	5-3/4"	21"
QELQAM63SXOM	Left	21-3/8"	5-3/4"	21"

Available in:

- VCH** - Champagne wire/American maple melamine bottom
- C** - Chrome wire/White melamine bottom
- GC** - Chrome wire/Gray melamine bottom

Pull-out base filler



Technical Information

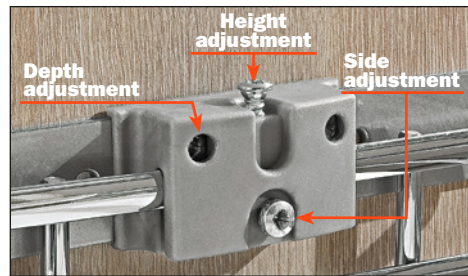
Minimum opening 4-1/2", 3- or 2-tier base organizer, full extension soft close, non slip melamine surface, for frame and frameless cabinets, load capacity 75 lbs (35 kg), 3-way door adjustment, comes fully assembled ready to be installed.

Kit contents: 3- or 2-tier side pull-out unit, full extension soft close slide, 2 adjustable door-mounting brackets, assembly instructions and drilling template.

Door-mount bracket

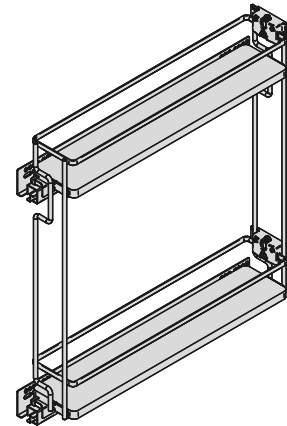
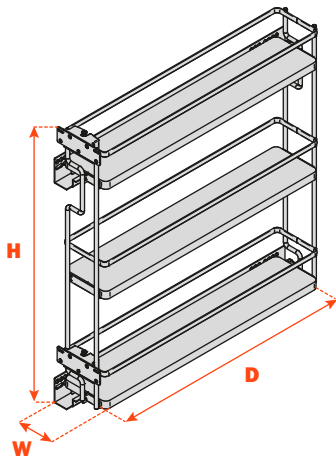
Features:

Patented system; 3 way adjustability for alignment of the cabinet door: height (+/- 2 mm), side (+/- 3 mm) and depth (+ 4 mm) adjustments, easy installation with only two screws; suitable for standard style doors and five piece doors as well - Use a #2 pozi driver to adjust.



Technical information

The drawing shows left hand version



Three-tier base organizer

Part#	Version	Depth	Width	Height
QELQAM4DXOM	Right	21-3/8"	4-1/4"	22-5/8"
QELQAM4SXOM	Left	21-3/8"	4-1/4"	22-5/8"

Two-tier base organizer

Part#	Version	Depth	Width	Height
QELQAM42DXOM	Right	21-3/8"	4-1/4"	22-5/8"
QELQAM42SXOM	Left	21-3/8"	4-1/4"	22-5/8"

Available in:

- VCH** - Champagne wire/American maple melamine bottom
- C** - Chrome wire/White melamine bottom
- GC** - Chrome wire/Gray melamine bottom

Pull-out organizer



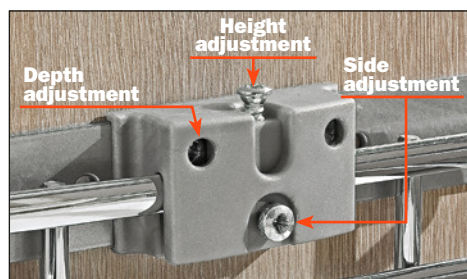
Technical Information

2-tier base organizer, offering easy access, full extension soft close, non slip melamine surface, for frame and frameless cabinets, load capacity 75 lbs (35 kg), 3-way door adjustment, comes fully assembled ready to be installed.

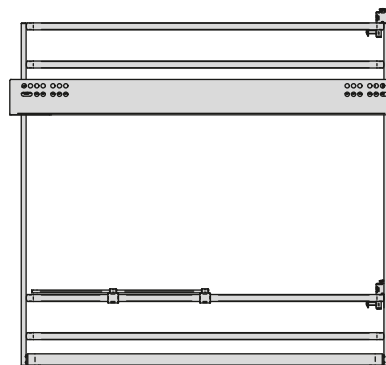
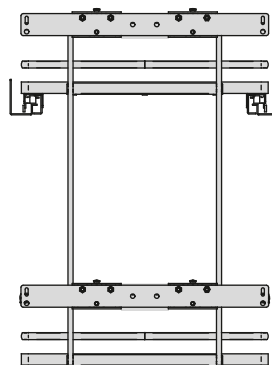
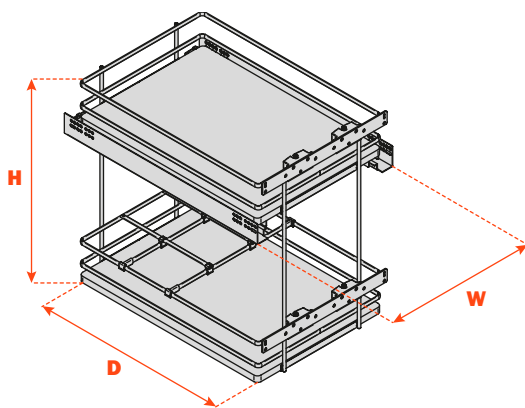
Kit contents: 2-tier base organizer, full extension soft close slide, (2) adjustable door-mounting brackets, snap-on pull-out dividers, assembly instructions and drilling template.

Door-mount bracket

Features:
Patented system; 3 way adjustability for alignment of the door: height (+/- 2 mm), side (+/- 3 mm) and depth (+ 4 mm) adjustments, easy installation with only two screws; suitable for standard style doors and five piece doors as well - Use a #2 pozi driver to adjust.



Technical information



Part#	Depth	Width	Height
QEGTAM12B20M	21-3/8"	12"	20"
QEGTAM15B20M	21-3/8"	15"	20"
QEGTAM18B20M	21-3/8"	18"	20"

Available in:

- VCH** - Champagne wire/American maple melamine bottom
- C** - Chrome wire/White melamine bottom
- GC** - Chrome wire/Gray melamine bottom

Wire pull out drawers

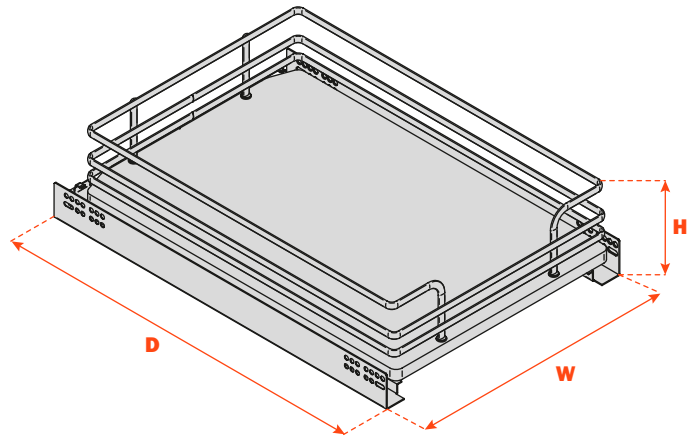
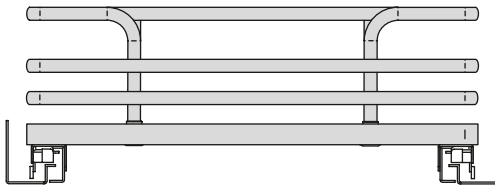


Technical Information

Easy drawer insertion and removal; full extension soft close, non slip melamine surface, for frame and frameless cabinets, load capacity 75 lbs (35 kg). Side and bottom mount.

Kit contents: 1 drawer pull-out unit, Futura full extension soft close slide (533 mm), assembly instructions.

Technical information



Part#	Depth	Width	Height
QCCTAM120M	21-3/8"	12"	5-3/8"
QCCTAM150M	21-3/8"	15"	5-3/8"
QCCTAM180M	21-3/8"	18"	5-3/8"
QCCTAM210M	21-3/8"	21"	5-3/8"

Available in:

VCH - Champagne wire/American maple melamine bottom

C - Chrome wire/White melamine bottom

GC - Chrome wire/Gray melamine bottom

Spacers



Bottom mounted spacers and adjustable side mounted spacers for face frame cabinets. The spacers can be used for drawers, pull-outs and trash cans.

Kit Includes: 4 brackets, 2 spacers and attachment screws. (zinc coated)

Part#	Depth	Width	Height
QCCKDA	/	/	/

	Side mount no spacers
	Bottom mount spacers
	Side mount with 1 adjustable spacer minimized
	Side mount with 1 adjustable spacer maximized
	Side mount with 2 adjustable spacers minimized
	Side mount with 2 adjustable spacers maximized

Smart corner



The picture shows a left hand version

Technical Information

Smart Corner unit requires a minimum door opening of 17". Easy assembly, full extension and soft closing system, open in one movement, automatically allows free access to the rear baskets, non slip surface, for frameless cabinets, load capacity: back shelves 44 lbs (20 kg) - front shelves 22 lbs (10 kg). Inside height min. 22-3/8". Non reversible.

Kit contents: base corner unit system, set of 4 baskets (2 front and 2 rear), full extension soft close slides (400 mm), adjustable door mounting bracket, assembly instructions.

The door opening angle can be adjusted in three different positions.

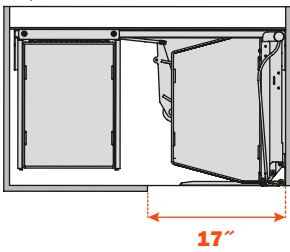


Additional handle available in the kit for hinged door.

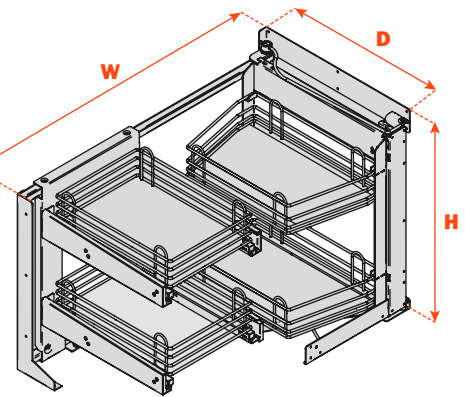
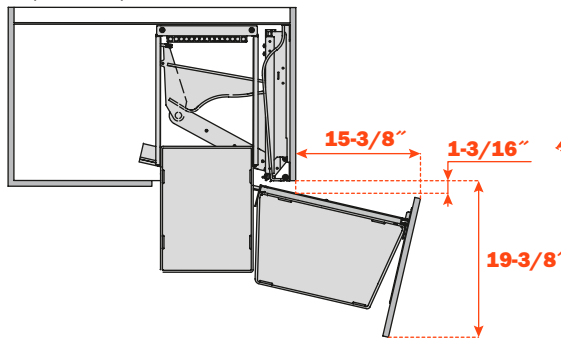
Technical information

The drawing shows right hand version

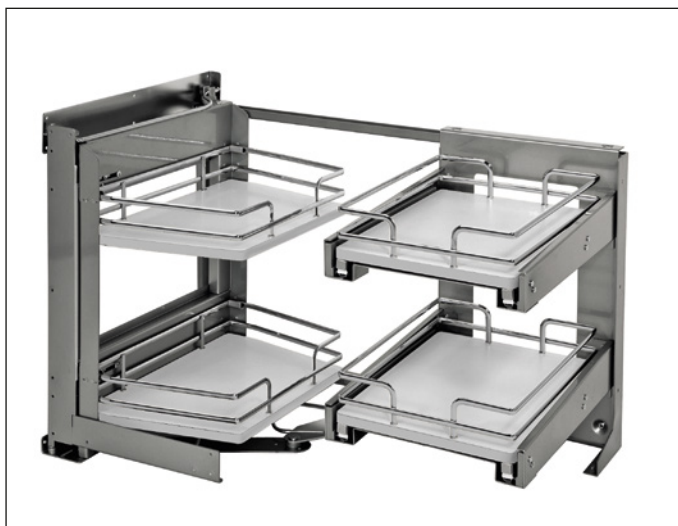
Top view - closed



Top view - open



Note: the door protrusion must be considered for hinged door application.



Part#	Version	Depth	Width	Height
QSMC45DXFMOM	Right	19-1/4"	33-5/16"	22-3/8"
QSMC45SXFOM	Left	19-1/4"	33-5/16"	22-3/8"

Available in:

VCH - Champagne wire/American maple melamine bottom

C - Chrome wire/White melamine bottom

GC - Chrome wire/Gray melamine bottom

Fly box





Technical Information

Fly box blind corner units: an innovative concept in the kitchen.

The two independent shelves come out completely through a single action to make the most of your space and to have everything always available at hand.

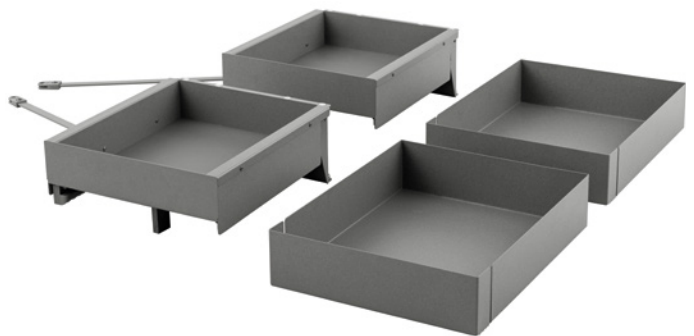
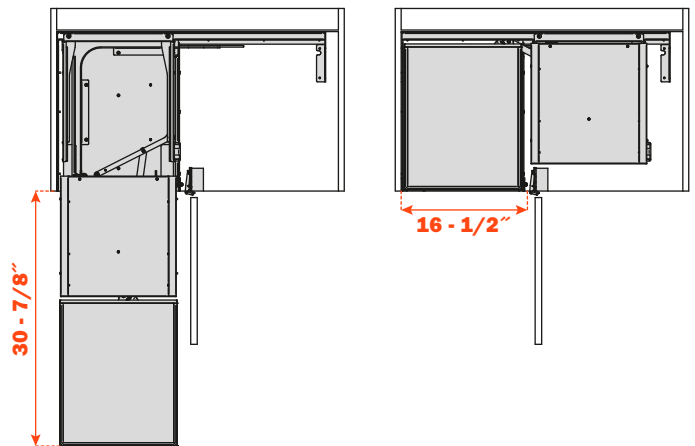
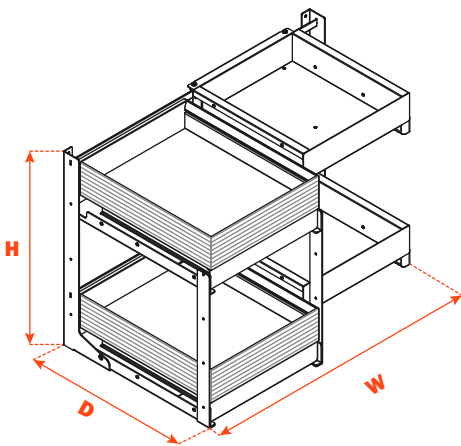
It requires a minimum door opening of 16-1/2".

The product is reversible and its load capacity is 55 Lbs (25 kg) per shelf.

Dampened return allows continuity and smoothness of movement. Available in an attractive textured Anthracite Gray finish.

Kit contents: 2 pull-out shelves. Side and bottom made of metal sheet. Reversible.

Technical information



Part#	Depth	Width	Height
QFLYBST452VGF	19-1/4"	32-1/2"	22-1/16"

Part#	Kit composed of 2 pull-out shelves. Side and bottom made of metal sheet. Reversible.
QFLYB45LGM	

Fly moon



The two parts must be ordered separately.

Technical Information

An innovative and unique space saving corner unit.

The shelves can be pulled-out independently, trays are designed to increase storage surface, height adjustable shaft, easy to install. The mechanism is a patented system and can be easily fixed in on one side of the cabinet, non slip melamine surface, for frame and frameless cabinets, load capacity 44 lbs (20kg) per shelf, minimum door opening 85°, height of the shelf rail 70 mm (2-3/4").

Shelf kit contents: 2 pull-out pivoting shelves; metal plates for connection; assembly instruction.

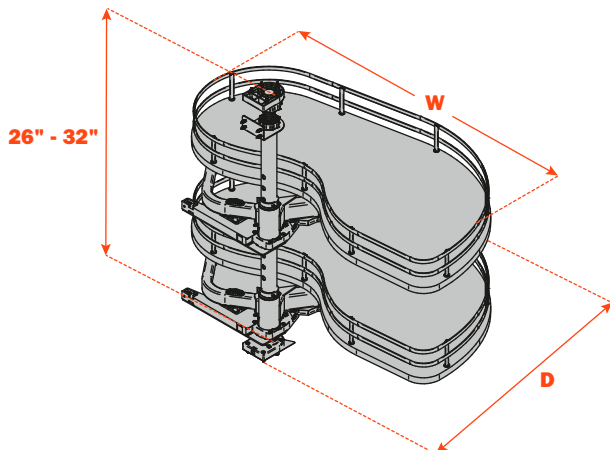
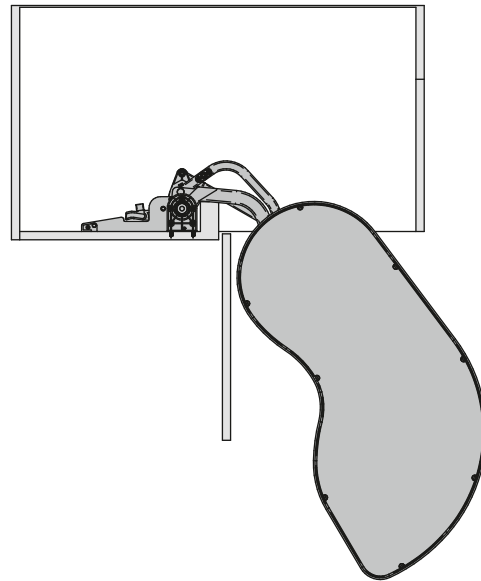
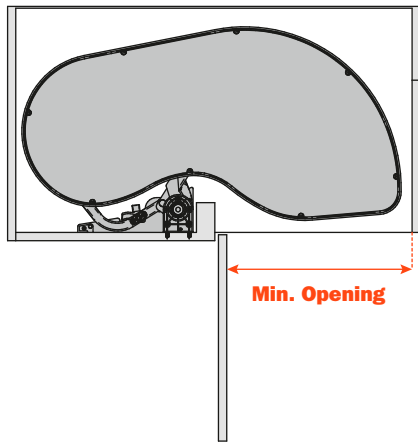
Mechanism kit contents: mechanism with height adjustable shaft; brackets and extension pipe; assembly instruction.

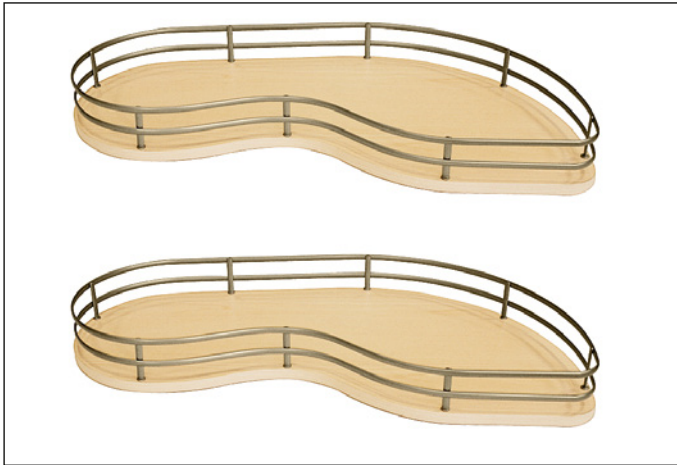
Available in soft close version only.

The picture shows right hand version.

Technical information

The drawing shows right hand version





2 pull-out pivoting shelves with non slip bottom. Handed (L or R).

Part#	Version	Min. opening	Depth	Width	Height
QFLY40DXG20M	Right	13-5/8"	16-1/32"	29"	3-3/8"
QFLY40SXG20M	Left	13-5/8"	16-1/32"	29"	3-3/8"
QFLY45DXG20M	Right	16"	17-3/8"	32-3/16"	3-3/8"
QFLY45SXG20M	Left	16"	17-3/8"	32-3/16"	3-3/8"
QFLY60DXG20M	Right	21"	18-3/4"	38-7/16"	3-3/8"
QFLY60SXG20M	Left	21"	18-3/4"	38-7/16"	3-3/8"

Available in:

VCH - Champagne wire/
American maple melamine bottom

c - Chrome wire/White melamine bottom

GC - Chrome wire/Gray melamine bottom



Corner mechanism suitable for 13-5/8" - 16" - 21" minimum door opening. Height adjustable from 26" to 32". Non reversible. Extension kit included.

Available in soft close version only.

Soft close part #	Version	Height
QFLYANEM2DXV	Right	26" - 32"
QFLYANEM2SXV	Left	26" - 32"

Available in:

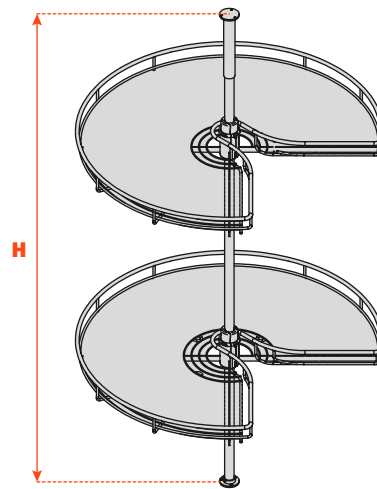
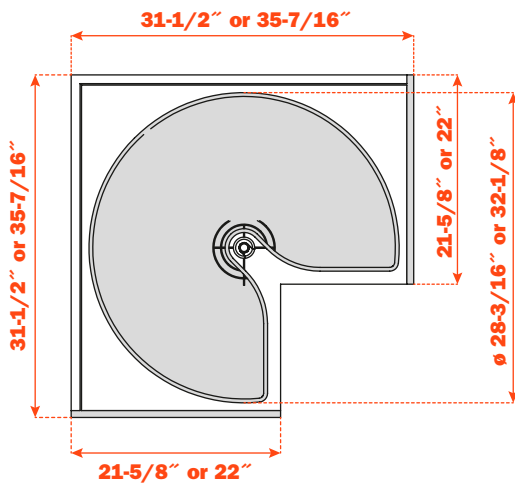
GF - Dark gray

Swivel carousels

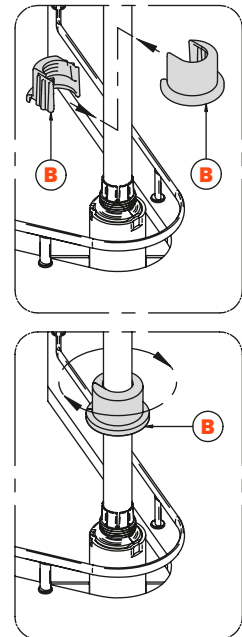


Suitable for base corner cabinets.
Independent shelf rotation for easy access, non slip melamine surface,
for frame and frameless cabinets.

Technical information



Fast block fitting (B)



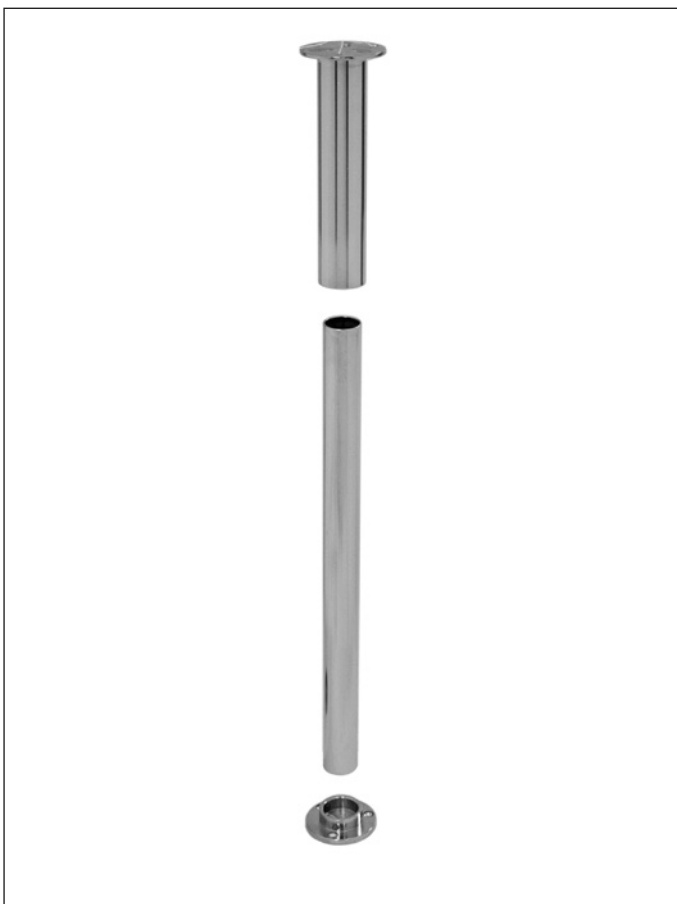


Kit contents: 2 pcs 3/4 circle pivoting carousels. Height adjustable shelves, load capacity per shelf 29 lbs (13 kg) for 28-3/16" and 35 lbs (16 kg) for 32-1/8", easy to install with "fast block fittings".

Part#	ø	Width	Height
QCG734FBM20M	28-3/16"	/	4-3/8"
QCG834FBM20M	32-1/8"	/	4-3/8"

Available in:

- VCH** - Champagne wire/American maple melamine bottom
- C** - Chrome wire/White melamine bottom
- GC** - Chrome wire/Gray melamine bottom



Ø 25 mm chrome-plated post for carousels with top and bottom fittings, height adjustable post from 25-7/16" to 31-1/16".

Part#	Depth	Width	Height
QTB500/2	2-1/8"	2-1/8"	25-7/16" - 31-1/16"

Available in:

- C** - Chrome finish

Rotating pantry unit

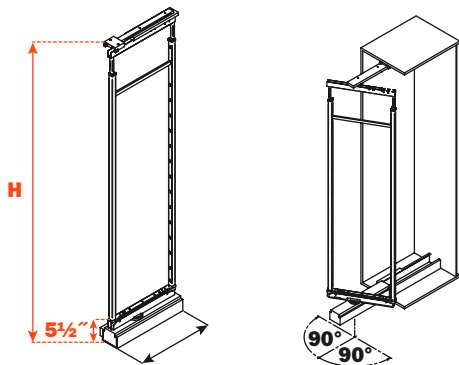


GENNAIO
FEBBRAIO
MARZO
APRILE
MAGGIO
GIUGNO
LUGLIO
AGOSTO
SETTEMBRE
OTTOBRE
NOVEMBRE
DICEMBRE

* all parts must be ordered separately.

Frame

Height-adjustable frame, for overlay and inset doors.



Part#	Depth	Width	Full set height: slide + frame	Recommended # of Baskets
QCE1204	19-9/16"	1-3/16"	46-7/32" - 63-17/32"	3
QCE1604	19-9/16"	1-3/16"	61-31/32" - 79-9/32"	4
QCE1904	19-9/16"	1-3/16"	73-25/32" - 91-3/32"	5

Available in:

VCH - Champagne finish

VG - Gray finish



Slide

Full extension pivoting slide with soft close return. 90° rotation of the frame to the right or to the left side. Load capacity 220 lbs (100 kg).

Part#	Depth	Width	Height
QGCFTMR	19-11/16"	/	10-15/32"



Brackets

Adjustable door-mounting bracket, fast application to frame internal holes. For doors over 7' tall we suggest to use 3 door-mounting brackets.

Part#	Depth	Width	Height
QCK130N	1-5/8"	9-7/8"	1-3/16"
QCK140N	1-5/8"	13-13/16"	1-3/16"
QCK145N	1-5/8"	15-3/4"	1-3/16"
QCK160N	1-5/8"	21-5/8"	1-3/16"

Available in:

VCH - Champagne finish

VG - Gray finish

Installation

Min interior depth: 20-3/32"

Min interior opening: door-mounting bracket length +3/8"



Basket

Easy insertion and removal, non slip melamine surface, height adjustable basket assembly.

Part#	Depth	Width	Height
QCC30ASAOM	16-3/16"	9-11/16"	3-11/16"
QCC40ASAOM	16-3/16"	13-5/8"	3-11/16"
QCC45ASAOM	16-3/16"	15-5/8"	3-11/16"
QCC60ASAOM	16-3/16"	21-1/2"	3-11/16"

Available in:

VCH - Champagne wire
American maple melamine bottom

C - Chrome wire
White melamine bottom

GC - Chrome wire
Gray melamine bottom

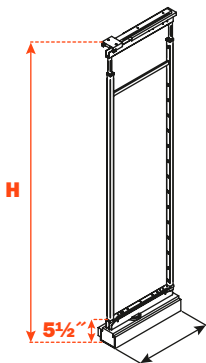
Straight pantry unit



* all parts must be ordered separately.

Frame

Height-adjustable frame, for overlay and inset doors.



Part#	Depth	Width	Full set height: slide + frame	Recommended # of Baskets
QCE1205	19-9/16"	1-3/16"	41-23/32" - 59-1/16"	3
QCE1605	19-9/16"	1-3/16"	57-15/32" - 74-13/16"	4
QCE1905	19-9/16"	1-3/16"	69-9/32" - 86-5/8"	5

Available in:

VCH - Champagne finish

VG - Gray finish



Slide

Full extension slide with soft close return.
Load capacity 265 lbs (120 kg).

Part#	Depth	Width	Height
QGCFTM/13	18-7/8"	/	5-1/2"



Brackets

Adjustable door-mounting bracket, fast application to frame internal holes.
For doors over 7' tall we suggest to use 3 door-mounting brackets.

Part#	Depth	Width	Height
QCK130N	1-5/8"	9-7/8"	1-13/16"
QCK140N	1-5/8"	13-13/16"	1-13/16"
QCK145N	1-5/8"	15-3/4"	1-13/16"
QCK160N	1-5/8"	21-5/8"	1-13/16"

Available in:

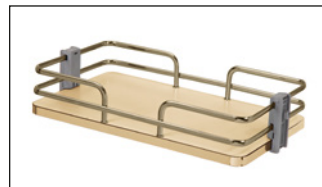
VCH - Champagne finish

VG - Gray finish

Installation

Min interior depth: 19-11/16"

Min interior opening: door-mounting bracket length +3/8"



Basket

Easy insertion and removal, non slip melamine surface, height adjustable basket assembly.

Part#	Depth	Width	Height
QCC30ASAOM	16-3/16"	9-11/16"	3-11/16"
QCC40ASAOM	16-3/16"	13-5/8"	3-11/16"
QCC45ASAOM	16-3/16"	15-5/8"	3-11/16"
QCC60ASAOM	16-3/16"	21-1/2"	3-11/16"

Available in:

VCH - Champagne wire
American maple melamine bottom

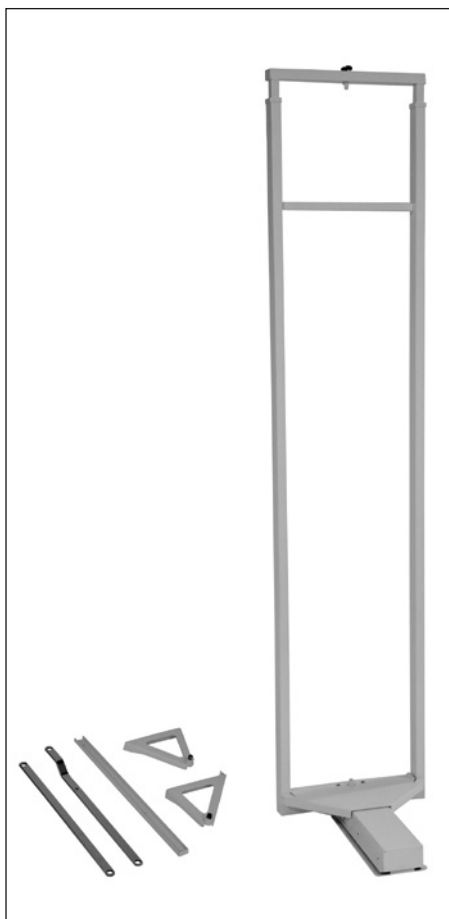
C - Chrome wire
White melamine bottom

GC - Chrome wire
Gray melamine bottom

Maxi pantry unit



- Integrated system that allows the pullouts to move forward as the door is opened.
- Tall pantry system that allows easy and full access to contents.
- Requires 165° opening hinges.
- For a 16-5/16" or 22-3/16" minimum opening.
- Load capacity 175 lbs (80 kgs).
- Reversible, for left or right hand doors.



Frame

Pull-out frame for maxi-pantry unit.
Minimum cabinet opening 16-5/16" or 22-3/16".

Part#	Min. opening	Depth	Width	Height	Recommended # of baskets
QCEM45B	16-5/16"	18-3/4"	12-7/8"	48-1/32" - 61-13/16"	3
QCEM60B	22-3/16"	18-3/4"	18-3/4"	48-1/32" - 61-13/16"	3

Available in:

VCH

- Champagne finish

VG

- Gray finish

Part#	Min. opening	Depth	Width	Height	Recommended # of baskets
QCEM45M	16-5/16"	18-3/4"	12-7/8"	61-13/16" - 75-5/8"	4
QCEM60M	22-3/16"	18-3/4"	18-3/4"	61-13/16" - 75-5/8"	4

Available in:

VCH

- Champagne finish

VG

- Gray finish

Part#	Min. opening	Depth	Width	Height	Recommended # of baskets
QCEM45S	16-5/16"	18-3/4"	12-7/8"	75-5/8" - 85-7/8"	5
QCEM60S	22-3/16"	18-3/4"	18-3/4"	75-5/8" - 85-7/8"	5

Available in:

VCH

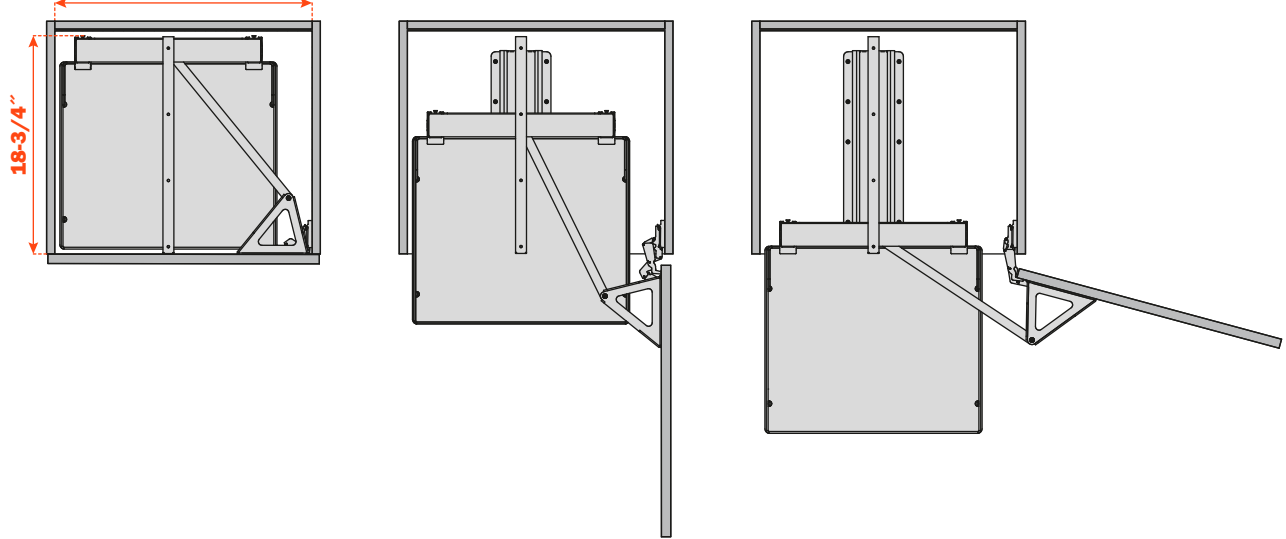
- Champagne finish

VG

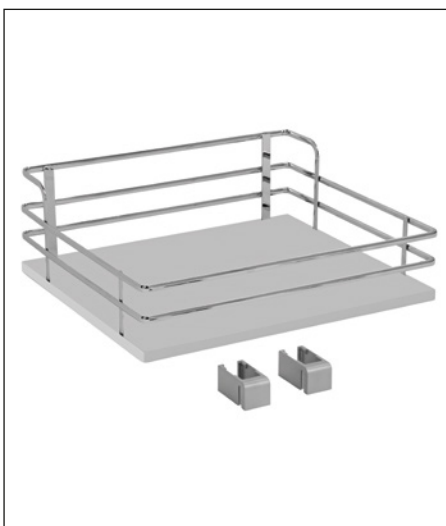
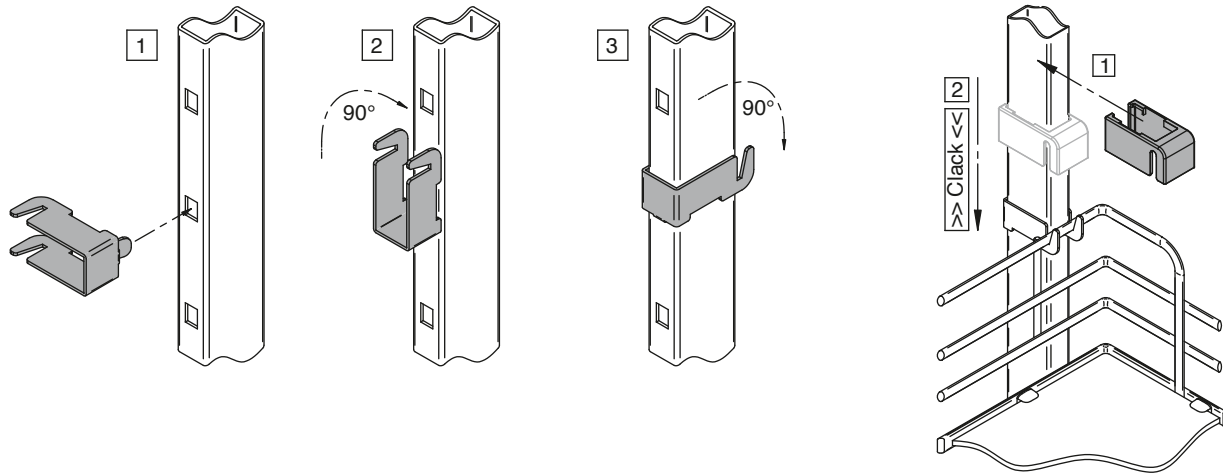
- Gray finish

Technical information

Min. opening 16-5/16" or 22-3/16"



Easy fit system



Basket

Basket for maxi-pantry unit. Easy insertion and removal, non slip melamine surface, height adjustable basket assembly with "Easy Fit System".

Part#	Min. opening	Depth	Width	Height
QCEM45ACMOM	16-5/16"	16-3/16"	12-5/8"	6-1/4"
QCEM60ACMOM	22-3/16"	16-3/16"	18-1/2"	6-1/4"

Available in:

VCH - Champagne wire/American maple melamine bottom

C - Chrome wire/White melamine bottom

GC - Chrome wire/Gray melamine bottom

Waste / Recycle





Product features:

- Bottom mount or side mount.
- Full extension (500 mm).
- Soft close.
- Easy installation with only 4 screws.
- The adjustable door mount bracket allows to be used on various door widths; particularly 5-piece doors.

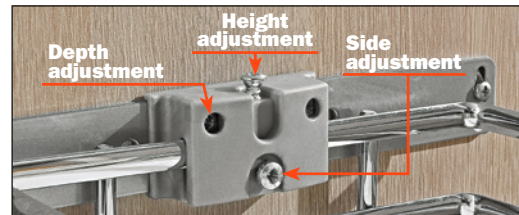
Waste Bins:

- Recyclable, non toxic material.
- Resistant to low & high temperatures.
- Non deformable.
- Integrated handles for easy removal.

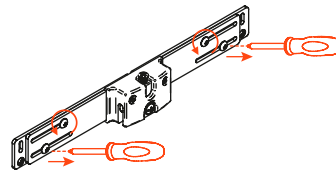
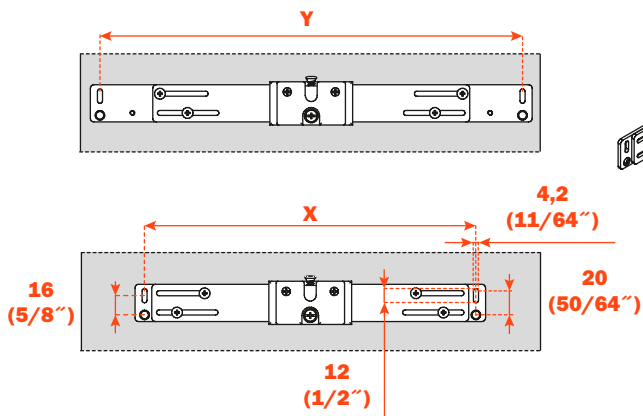
Door-mount bracket

Features:

The adjustable door mount bracket allows to be used on various door widths; particularly 5-piece doors. Patented system; 3 way adjustability for alignment of the cabinet door: height (+/-2mm), Side (+/-3mm) and depth (+/-4mm), easy installation with only two screws; suitable for standard style doors and five piece doors as well. Use a #2 pozi driver to adjust.

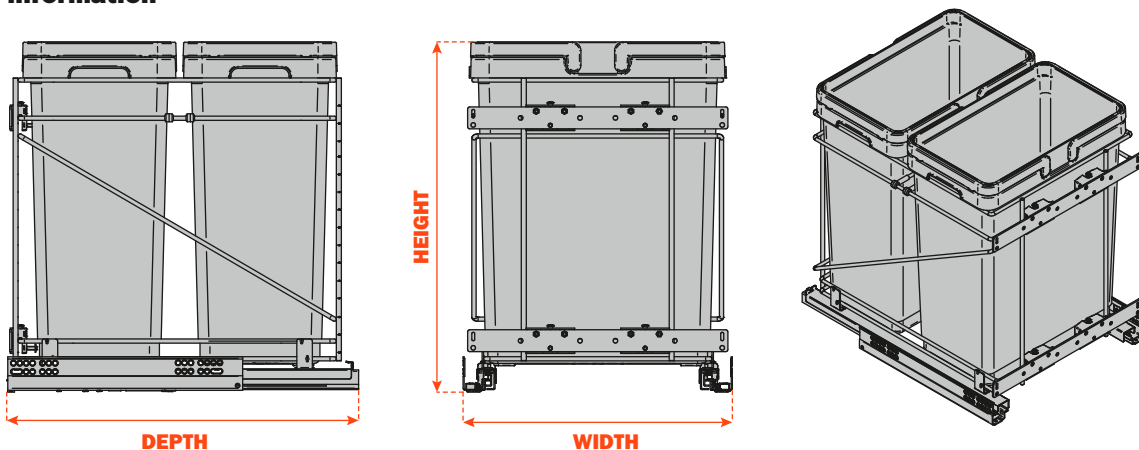


Adjustable for various door widths:



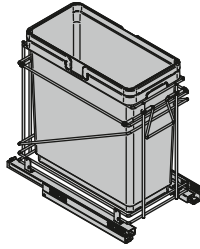
Mod.	Part #	X	Y
QPAM12135CR	QCK1215VG	10-7/8"	13-7/8"
QPAM15228CR	QCK1518VG	13-7/8"	16-7/8"
QPAM18228CR	QCK1821VG	16-7/8"	19-7/8"
QPAM21235CR	QCK2124VG	19-27/32"	22-27/32"

Technical information



Waste recycle pullouts

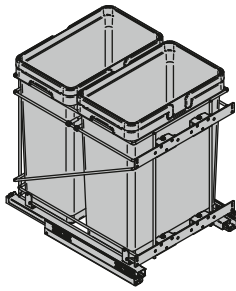




CONTAINER CAPACITY 35 QT.

12" Base pull-out waste bins. The adjustable door mount bracket allows to be used on various door widths; particularly 5-piece doors. Soft close, wire bottom, full extension (500mm). Handle and door brackets included. One 35 Qt. plastic bin. The waste bins are equipped with handles to easily keep your trash bag inside and lift cans up. Bottom mount.

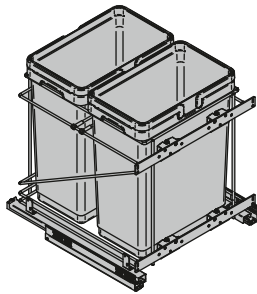
Part#	Depth	Width	Height
QPAM12135CR	19-5/8"	12"	19-1/2"



CONTAINER CAPACITY 32 QT. EA.

15" Base pull-out waste bins. The adjustable door mount bracket allows to be used on various door widths; particularly 5-piece doors. Soft close, wire bottom, full extension (500mm). Handle and door brackets included. Two 32 Qt. plastic bins. The waste bins are equipped with handles to easily keep your trash bag inside and lift cans up. Bottom mount.

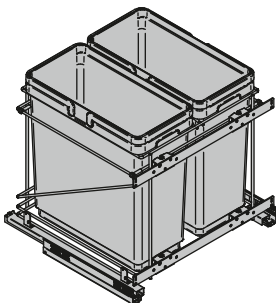
Part#	Depth	Width	Height
QPAM15228CR	19-5/8"	15"	19-1/2"



CONTAINER CAPACITY 32 QT. EA.

18" Base pull-out waste bins. The adjustable door mount bracket allows to be used on various door widths; particularly 5-piece doors. Soft close, wire bottom, full extension (500mm). Handle and door brackets included. Two 32 Qt. plastic bins. The waste bins are equipped with handles to easily keep your trash bag inside and lift cans up. Bottom mount.

Part#	Depth	Width	Height
QPAM18228CR	19-5/8"	18"	19-1/2"

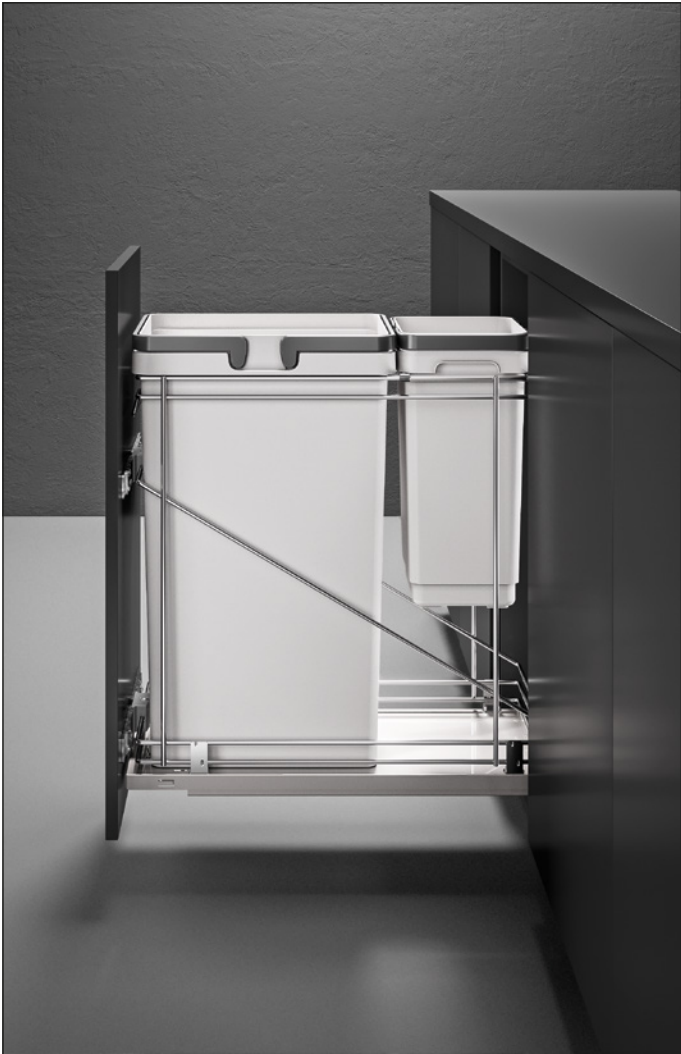


CONTAINER CAPACITY 35 QT. EA.

21" Base pull-out waste bins. The adjustable door mount bracket allows to be used on various door widths; particularly 5-piece doors. Soft close, wire bottom, full extension (500mm). Handle and door brackets included. Two 35 Qt. plastic bins. The waste bins are equipped with handles to easily keep your trash bag inside and lift cans up. Bottom mount.

Part#	Depth	Width	Height
QPAM21235CR	19-5/8"	21"	19-1/2"

Single 50qt waste recycle pullout



Product features:

- Adjustable door mount bracket.
- Bottom mounted.
- Full extension.
- Soft close.
- Door mount brackets included in the kit.
- Load capacity: 100 lbs.
- One 50 qt and one 11 qt plastic bins.
- Dimension: 22" D x 11-1/2" W x 24-1/16" H.

Waste Bins:

- Recyclable, non toxic material.
- Resistant to low & high temperatures.
- Non deformable.
- Integrated handles for easy removal.
- Lid available (sold separately).



CONTAINER CAPACITY 50 QT. + 11 QT.

Large load capacity bin. Full extension slides with over-travel functionality for easy access to the waste containers. The adjustable door mount bracket allows to be used on various door widths; particularly 5-piece doors. Easy installation: pre-mounted on a specially designed metal frame.

Part#	Depth	Width	Height
QPAM12150CR	22"	11-1/2"	24-1/16"

Double 50qt waste recycle pullout



Product features:

- Adjustable door mount bracket.
- Bottom mounted.
- Full extension.
- Soft close.
- Door mount brackets included in the kit.
- Load capacity: 100 lbs.
- Two 50 qt plastic bins.
- Dimension: 22" D x 14-1/2" W x 24-1/16" H.

Waste Bins:

- Recyclable, non toxic material.
- Resistant to low & high temperatures.
- Non deformable.
- Integrated plastic handles for easy removal.
- Lid available (sold separately).



Large load capacity bins. Full extension slides with over-travel functionality for easy access to the waste containers. The adjustable door mount bracket allows to be used on various door widths; particularly 5-piece doors. Easy installation: pre-mounted on a specially designed metal frame.

Part#	Depth	Width	Height
QPAM1525OCR	22"	14-1/2"	24-1/16"

CONTAINER CAPACITY 50 QT. EA.

Under the sink pullouts

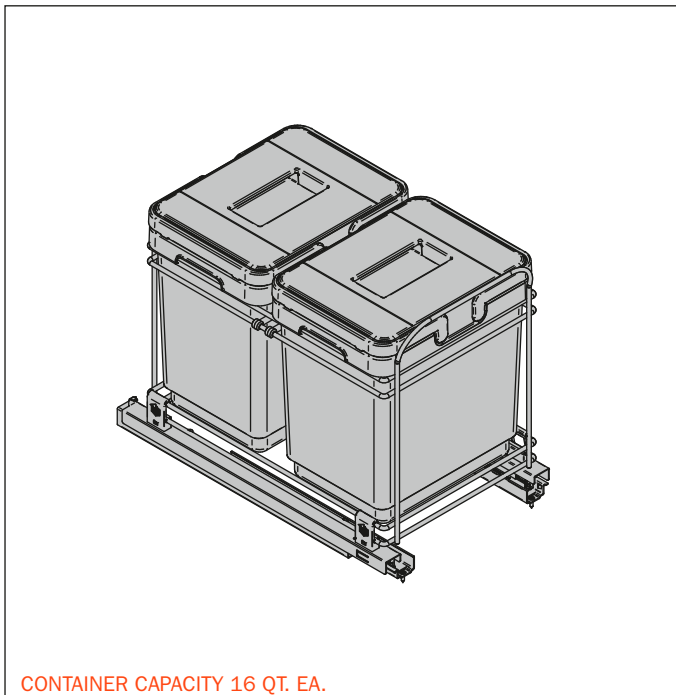


Product features:

- Bottom mount.
- Full extension.
- Soft close.
- Easy installation with only 4 wood screws.
- Integrated handle.

Waste Bins:

- Recyclable, non toxic material.
- Resistant to low & high temperatures.
- Non deformable.
- Integrated handles for easy removal.
- Lids included.



12" Under the sink waste bins. Soft close, wire bottom, full extension. Handle included. Two 16 Qt. plastic bins with lids. The waste bins are equipped with handles to easily keep your trash bag inside and lift cans up. Bottom mount.

Part#	Depth	Width	Height
QPETAM332MC	19-5/8"	11- 3/4"	14-1/2"

Note: Front handle height 15-1/16"

CONTAINER CAPACITY 16 QT. EA.



Product features:

- Bottom mounted or side mounted.
- Full extension.
- Soft close.
- Easy installation with only 4 screws.
- Clip on handle included in the kit.
- Load capacity: 75 lbs.
- One 32 qt and rear basket for small storage.
- Dimension: 17-11/16" D x 15" W x 19-1/2" H.

Waste Bins:

- Recyclable, non toxic material.
- Resistant to low & high temperatures.
- Non deformable.
- Integrated handles for easy removal.
- Charcoal lid available (sold separately).
- Door mount bracket not included.



CONTAINER CAPACITY 32 QT.

Designed for 15" base cabinet with hinged door.
 Ideal for under sink kitchen and vanity cabinetry.
 Good for remodeling and upgrading cabinets.

Part#	Depth	Width	Height
QPAMS15130C	17-11/16"	15"	19-1/2"

Waste recycle accessories



Small bins

All small bins can be put inside the standard bins and also externally attached to the cabinet door.

3.2 Qt silver gray polystyrene bin with small handle.



Part#	Depth	Width	Height
QPAM03C	7-7/8"	7-23/32"	3-9/16"

5.3 Qt silver gray polystyrene bin with small handle.



Part#	Depth	Width	Height
QPAM05C	7-7/8"	7-23/32"	7-3/3"

Standard waste bins

All waste bins are equipped with folding handles which not only aid in the removal of the bin but, also hold the plastic bag in place.

11 Qt silver gray polystyrene waste bin with handle

32 Qt silver gray polystyrene waste bin with handle.



Part#	Depth	Width	Height
QPAM111C	7-3/16"	8-17/32"	14-1/2"
QPAM128C	14-3/8"	8-5/8"	18-7/64"

35 Qt silver gray polystyrene waste bin with handle.

50 Qt silver gray polystyrene waste bin with handle.

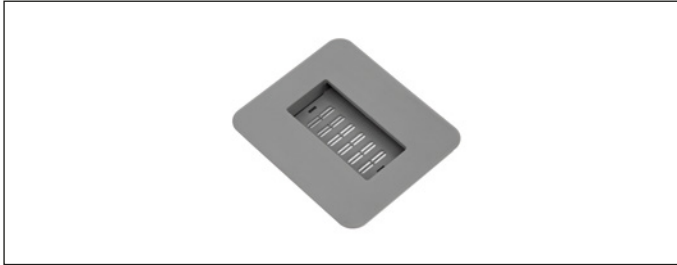


Part#	Depth	Width	Height
QPAM135C	17-15/64"	8-5/8"	18-7/64"
QPAM150C	10-5/8"	13-3/4"	22-7/16"

Accessories

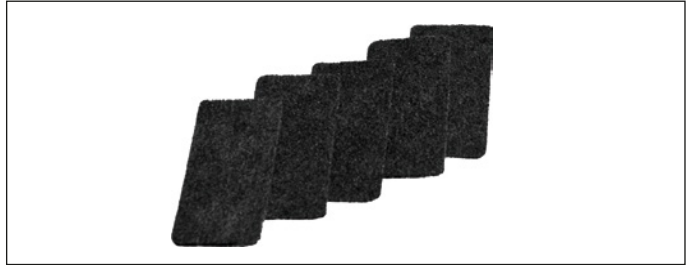
Lid with filter

A waste bin lid with dishwasher-safe and odor reducing filter.



Part#	Depth	Width	Waste bin
QPCOLAMF	14-3/8"	8-5/8"	32 QUART
QPCOXLMF	17-15/64"	8-5/8"	35 QUART
QPCOLSMF	7-11/16"	6-5/8"	11 QUART

Replacement filter pack (5)



Part#	Depth	Width	Height
QPCSF	-	-	-

Lid without filter



Part#	Depth	Width	Waste bin
QPCOXXMF	12-7/8"	10-1/16"	50 QUART

SALICE CANADA INC.

3500 RIDGEWAY DRIVE, UNIT#1
MISSISSAUGA, ONTARIO, L5L 0B4

TEL. 905 820 8787

FAX. 905 820 7226

info.salice@salicecanada.com

www.salicecanada.com



Digital contents