



Single pivot hinge
270° opening
SALICE

Single pivot hinge

Single pivot hinges.
270° opening angle.
Bright nickel plated die-cast cup and arm.
Sprung hinge (with spring).

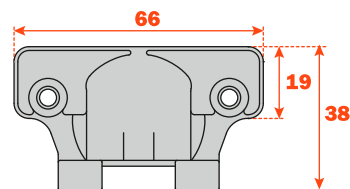
Ideal for the most critical applications, where high stability, strength and endurance are required. They are certified for applications in public environments in conformity with FIRA Level 5 and ANSI Grade 1 requirements.

Adjustments.

Compensating side adjustment from -3 mm to +3 mm.
 With mounting plates H=0 the negative side adjustment cannot be used.
Height adjustment ±2 mm.
 Depth adjustment with Series 200 mounting plates +2,8 mm.
 Depth adjustment with Domi snap-on mounting plates from -0,5 mm to +2,8 mm.
 Anti-sliding safety stop.

Mounting plates.

Symmetrical and asymmetrical bright nickel plated steel or die-cast Series 200 mounting plates.
 Snap-on assembly on Domi mounting plates.
 Positioning with pre-determined stop on traditional Series 200 mounting plates.
 N.B. : Use POZIDRIVE No. 2 screwdrivers for all screws.



Drillings and fixings

	<p>48 6 ø 35 270°</p>	<p>45 9.5 ø 35 270°</p>	<p>52 5.5 ø 35 270°</p>
Wood screw 	A	P	U
	<p>48 6 ø 35 ø 10 270°</p>	<p>45 9.5 ø 35 ø 8 270°</p>	<p>52 5.5 ø 35 ø 10 270°</p>
Dowel 	B	R	W

Use this table to identify the available drillings and fixings.
Fill the third position of the hinge code number with the letter or the number corresponding to your choice. I.e.: CM_3A99.

↑
 Fill this position with the chosen letter or number.

CM_3A99



Packing

Boxes 100 pcs.
Pallets 2400 pcs.

Use the tables "Drillings and fixings" at page 2 to complete the code number of the desired hinge.

Use these formulas to determine the height of the mounting plate "H" which is necessary to solve each application problem.

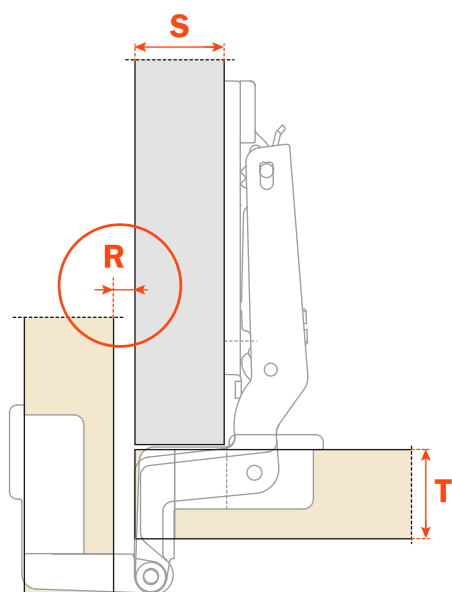
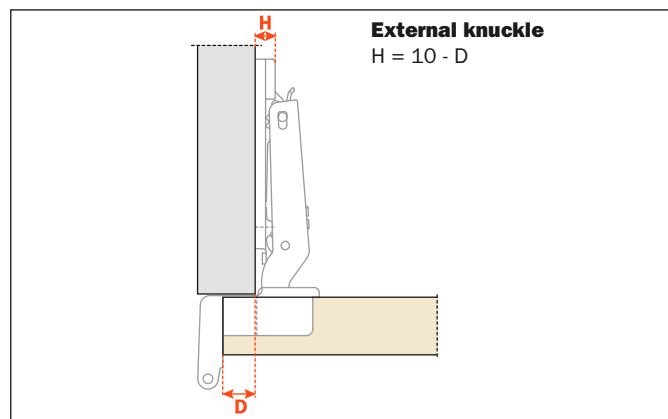
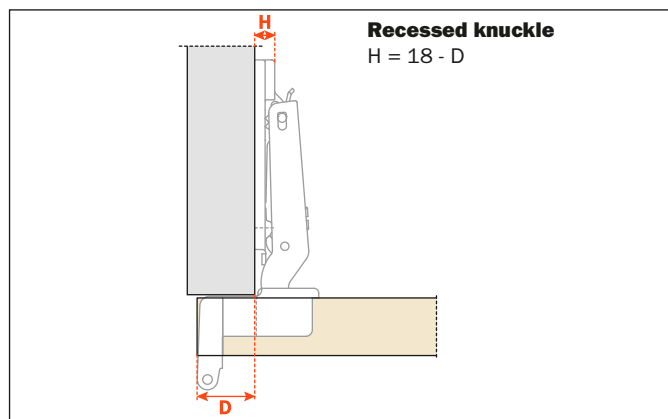
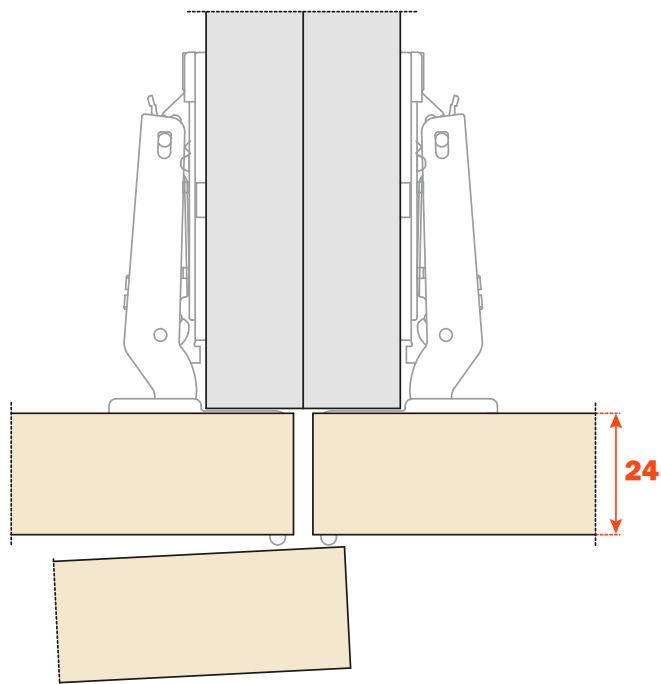


Chart to verify that full 270° opening is possible.
Full 270° opening is possible only with R value ≥ 0 and mounting plates H=0 mm.
Otherwise the actual opening must be checked with a practical test.

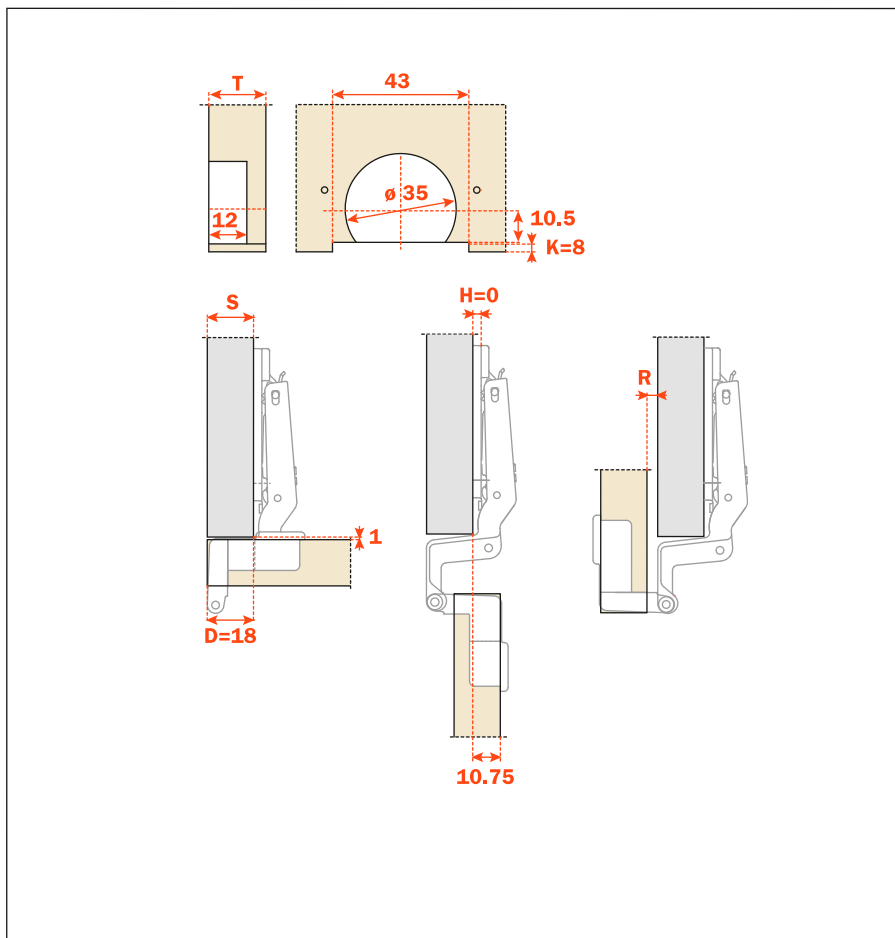
		Door thickness T		
		18	19	20
Side thickness S	20	2,25	1,25	0,25
	19	3,25	2,25	1,25
	18	4,25	3,25	2,25
R value				



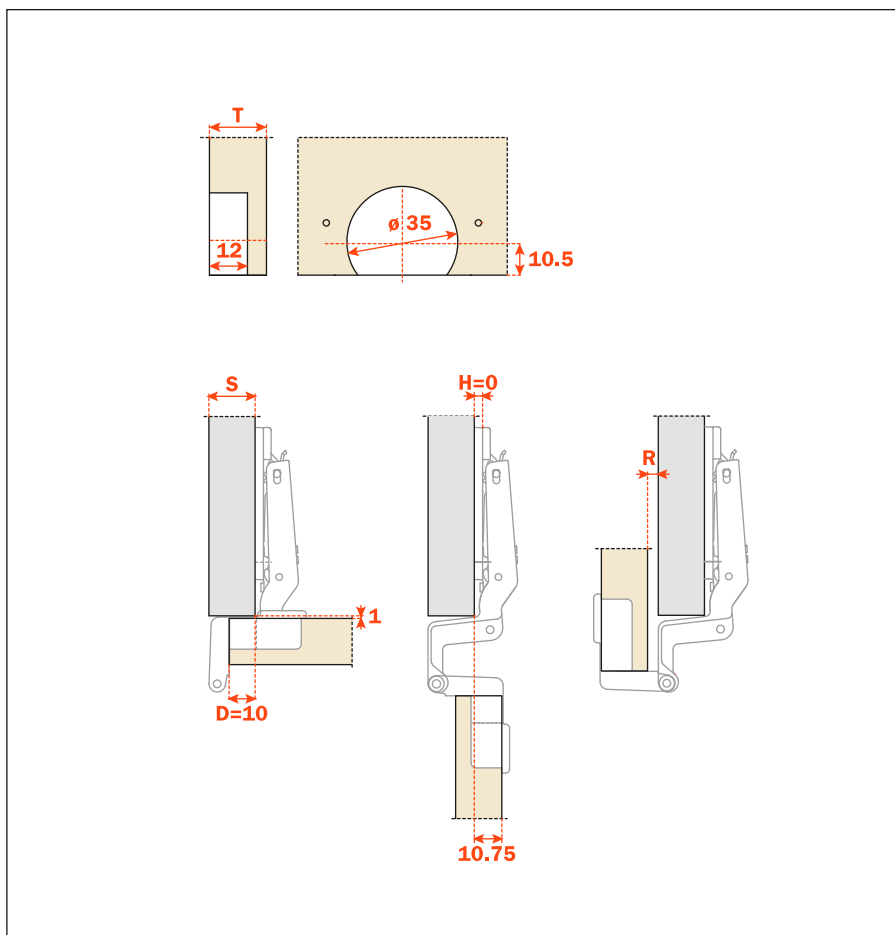
180° opening with door thickness max. 24 mm.

Single pivot hinge - 270° opening

Application with recessed knuckle

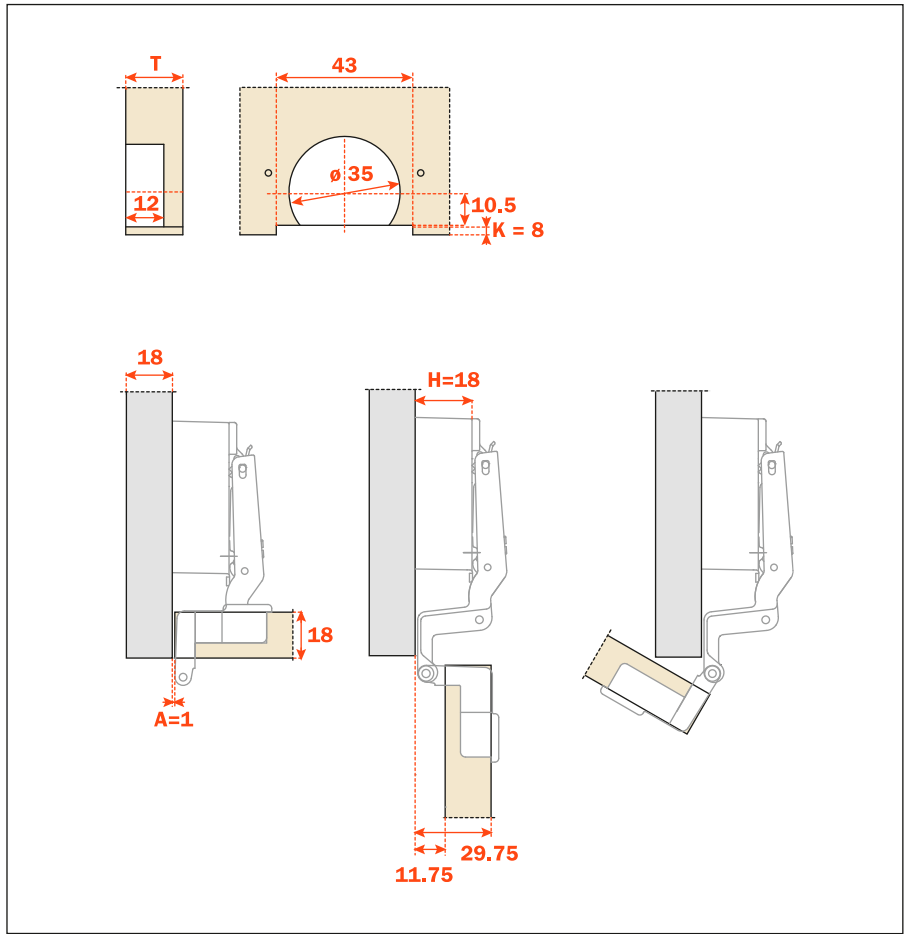


Application with external knuckle

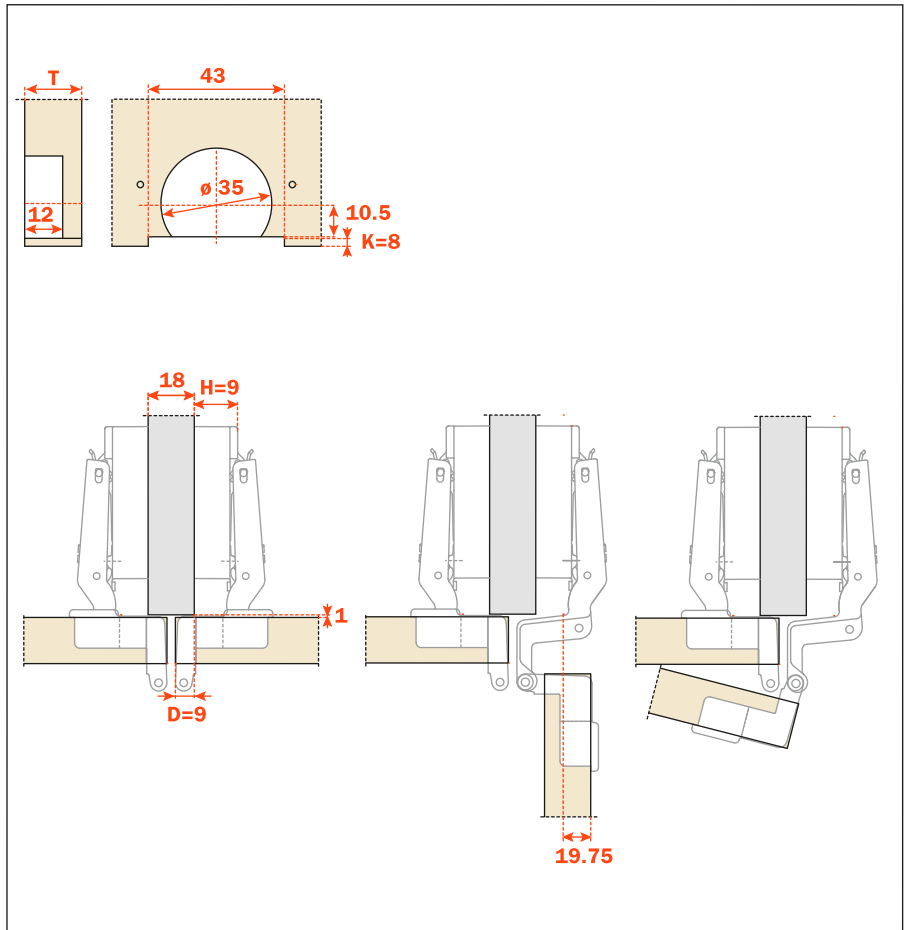


Single pivot hinge - 270° opening

Application with inset door



Application with half overlay door



ARTURO SALICE S.p.A.

VIA PROVINCIALE NOVEDRATESE, 10
22060 NOVEDRATE (COMO) ITALIA
TEL. 031 790424
FAX 031 791508
info.salice@salice.com
www.salice.com

DEUTSCHE SALICE GMBH

RUDOLF DIESEL STR. 10
POSTFACH 1154
74382 NECKARWESTHEIM
TEL. 07233 9807-0
FAX. 07233 9807-16
info.salice@deutschesalice.de
www.deutschesalice.de

SALICE UK LTD.

KINGFISHER WAY
HINCHINGBROOKE BUSINESS PARK
HUNTINGDON CAMBS PE 29 6FN
TEL. 01480 413831
FAX. 01480 451489
info.salice@saliceuk.co.uk
www.saliceuk.co.uk

DEUTSCHE SALICE GMBH

VERKAUFSBÜRO NORD
RINGSTRASSE 36/A30 CENTER
32584 LÖHNE
TEL. 05731 15608-0
FAX. 05731 15608-10
vk nord@deutschesalice.de
www.deutschesalice.de

SALICE AMERICA INC.

2123 CROWN CENTRE DRIVE
CHARLOTTE NC. 28227
TEL. 704 8417810
FAX. 704 8417808
info.salice@saliceamerica.com
www.saliceamerica.com

SALICE FRANCE S.A.R.L.

ROUTE DE GOA ZAC LES 3 MOULINS
06600 ANTIBES
TEL. 0493 330069
FAX. 0493 330141
info.salice@salicefrance.com
www.salicefrance.com

SALICE CANADA INC.

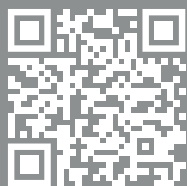
3500 RIDGEWAY DRIVE,
UNIT#1
MISSISSAUGA, ONTARIO, L5L 0B4
TEL. 905 8208787
FAX. 905 8207226
info.salice@salicecanada.com
www.salicecanada.com

SALICE ESPAÑA, S.L.U.

CALLE COPÉRNICO, 11
POLÍGONO INDUSTRIAL
COLL DE LA MANYA
08403 GRANOLLERS (BARCELONA)
TEL. 938 45 88 61
FAX 938 49 11 97
info.salice@saliceespana.es
www.saliceespana.es

SALICE CHINA (SHANGHAI) CO. LTD.

1st FLOOR, B1 BLDG 928 MINGZHU ROAD
XUJING, QINGPU DISTRICT
SHANGHAI 201702 - CHINA
Tel. 021 3988 9880
Fax 021 3988 9882
info.salice@salicechina.com
www.salicechina.com



Digital contents:

- **Technical pamphlet in Pdf format**