



**Silentia+** Euro and Face Frame Hinges **SALICE**



## Table of Contents



**Silentia+ 100 Series** Cup depth 12 mm  
For small or light doors, 105° opening

page 9



**Silentia+ 200 Series** Cup depth 15.5 mm and 13.5 mm  
Series for thick doors or 0 protrusion, 94° and 155° opening

page 17



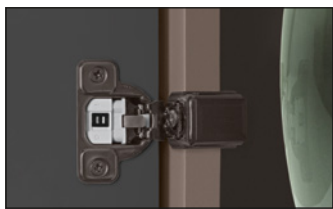
**Silentia+ 700 Series** Cup depth 13.5 mm  
110° opening

page 27



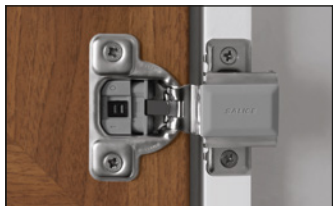
**Silentia+ For metal profiles**  
105° opening

page 37



**CU Face frame Series** Cup depth 11 mm  
2 Cam Adjustment

page 43



**CU Face frame Series** Cup depth 11 mm  
3 Cam Adjustment

page 49



**Hinge Mounting Plates**

page 53



**Accessories**

page 63



# Silentia+

## State of the art soft-close.

Silentia+ allows a perfect and constant closing of the door in any temperature, use and application.

The innovative soft-close technology guarantees excellent performances to the complete range of hinges. Silentia+ includes numerous technological elements in the required spaces and maintains the aesthetics of all hinges.



## Silentia+ Features and Benefits

- **Integrated soft close by means of twin fluid dampers**
- **Adjustment switch to set a comfortable soft close action**
- **Impervious to temperature extremes**
- **Very smooth opening with minimal resistance**
- **Patented compensating parallel side adjustment**
- **Available in the 100 Series, 200 Series , 700 Series, Euro and Faceframe**
- **Available in all Salice fixing types (Screw, Dowel, Rapido, Logica)**
- **Available in Nickel or Titanium finish**
- **Exceeds ANSI/BHMA standards A156.9-2020**
- **Limited Lifetime Warranty**

## Silentia+

Integrated soft-close technology with two fluid dampers.

The two integrated dampers guarantee an exceptional consistency of the decelerating strength providing a perfect closing to any kind of door, size and application.



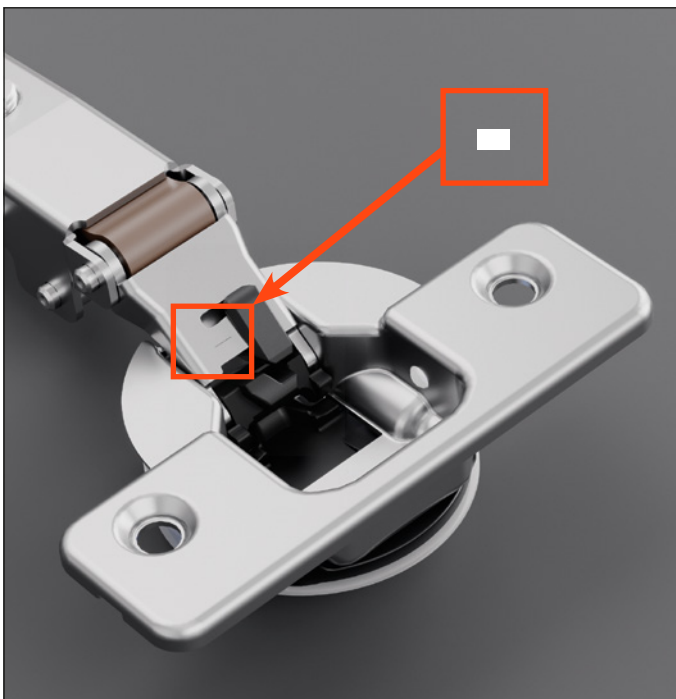
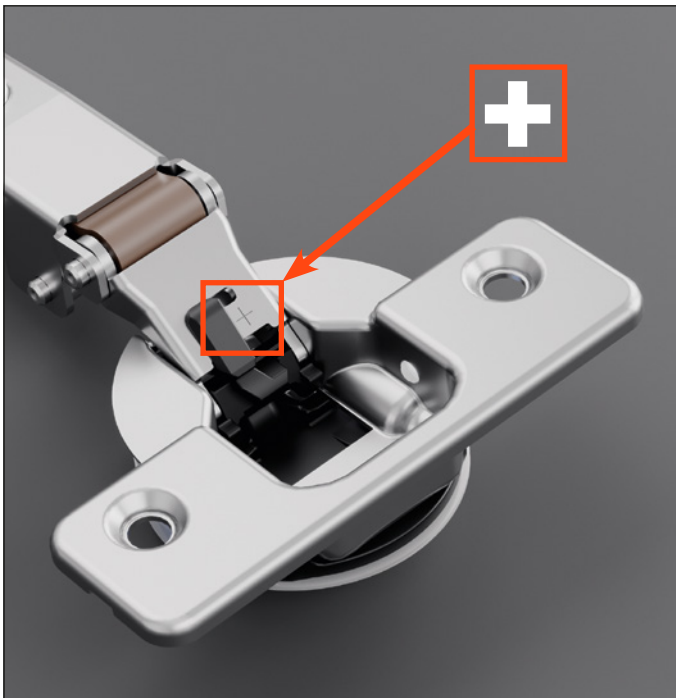
## Always-optimal soft-close action

Silentia+ is also equipped with the innovative switch to adjust the soft close action.

The activation of this switch allows, even with special door sizes, to obtain the ideal decelerating speed to any kind of door regardless of size or application.

With the adjustment switch set, showing the +, the soft close engages at 30'.

With the adjustment switch set, showing the -, the soft close engages at 10'.









**Silentia+** • 100 Series • 12 mm Hinge Cup Depth

**Silentia** • 100 Series for small or light doors **Technical features**

**Integrated soft close by means of twin fluid dampers**

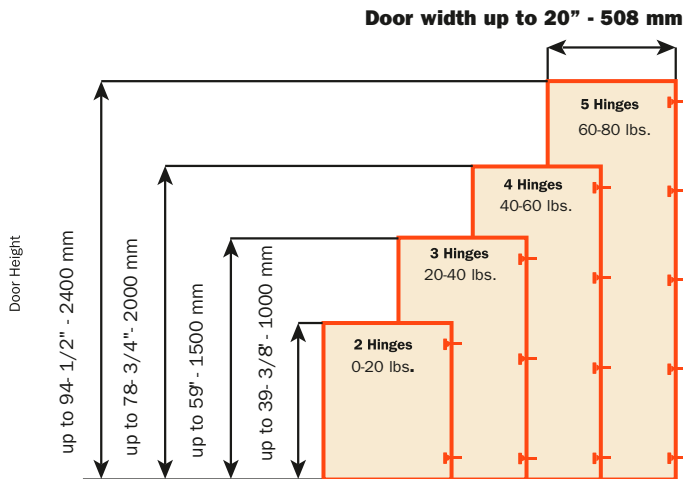
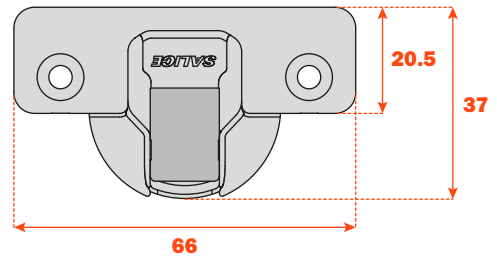
- Adjustment switch to set a comfortable soft close action
- Impervious to temperature extremes
- Very smooth opening with minimal resistance
- Patented compensating parallel side adjustment
- Available in all Salice fixing types (Screw, Dowel, Rapido, Logica)
- Available in Nickel or Titanium finish
- Exceeds ANSI/BHMA standards A156.9-2020

Constant “L” value of 1.5 mm (it does not change during side adjustment).

The number of hinges required depends on the size, weight and material of the door.

**The distance between the top and bottom of the door must be greater than the width of the door.**

Additional hinges should be added if doors are near the border of the line of size or weight chart. Use the diagram below to determine the number of hinges.



**Adjustments**

Parallel side adjustment from -1.5 mm to +4.5 mm.

Height adjustment  $\pm 2$  mm

Depth adjustment with Domi snap-on mounting plates from -0.5 mm to +2.8 mm.

Depth adjustment with 200 Series mounting plates +2.8 mm.

**Mounting plates**

Snap-on assembly on Domi mounting plates.

Symmetrical and asymmetrical bright nickel plated steel or die-cast Series 200 mounting plates.

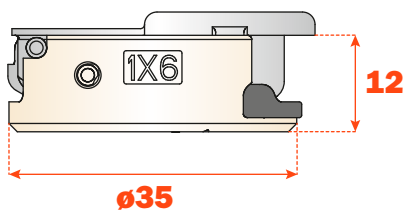
**Note: Use No. 2 Pozi drive screwdrivers for all adjustments.**

## Drilling and attachment

|            |  |          |
|------------|--|----------|
|            |  |          |
| Wood screw |  | <b>P</b> |
|            |  |          |
| Dowel      |  | <b>R</b> |
| Rapido     |  | <b>7</b> |
| Logica     |  | <b>J</b> |

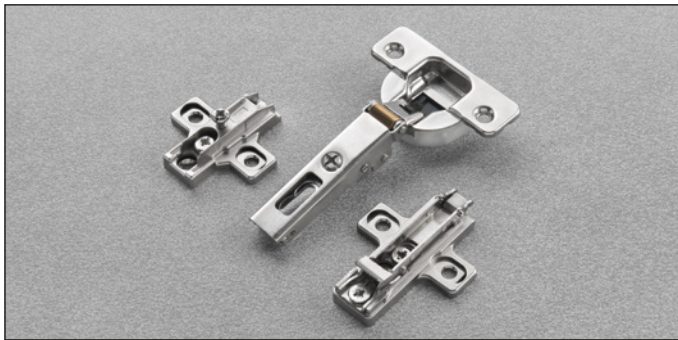
Use this table to identify the available attachment options to the door.  
 Fill the third position of the hinge code number with the letter or the number corresponding to your choice. I.e.: C1\_6AE9.

↑  
 Fill this position with the chosen letter or number.



**105° opening  
 and complementary hinges**

**Silentia** • 100 Series • 105° opening



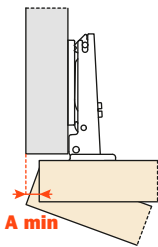
**Technical information**

Hinges with adjustable integrated soft-close mechanism operated by twin fluid dampers housed in the hinge cup. The decelerating effect is adjusted by using a simple switch. Minimum 15 mm / maximum 20 mm door thickness.

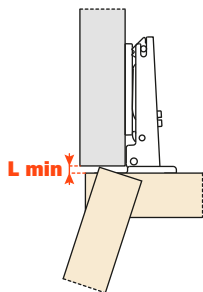
Hinges for small/light door material or heavy front profiles 12 mm deep cup.

105° opening.  
Possible drilling distance on the door (K): from 3 to 6 mm.  
Compatible with all traditional 200 Series mounting plates and with all Domi snap-on mounting plates.

**Space needed to open the door**



| T=            | 15  | 16  | 17  | 18  | 19  | 20  |
|---------------|-----|-----|-----|-----|-----|-----|
| K=3 <b>A=</b> | 1.0 | 1.0 | 1.2 | 1.4 | 1.6 | 1.9 |
| K=4 <b>A=</b> | 0.9 | 1.0 | 1.2 | 1.3 | 1.5 | 1.8 |
| K=5 <b>A=</b> | 0.9 | 1.0 | 1.1 | 1.2 | 1.5 | 1.8 |
| K=6 <b>A=</b> | 0.9 | 1.0 | 1.1 | 1.2 | 1.4 | 1.7 |

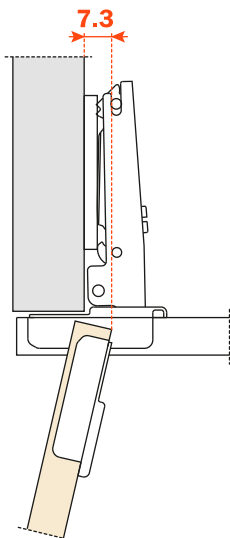


| T=            | 15  | 16  | 17  | 18  | 19  | 20  |
|---------------|-----|-----|-----|-----|-----|-----|
| K=3 <b>L=</b> | 0.0 | 0.0 | 0.0 | 0.0 | 0.1 | 0.3 |
| K=4 <b>L=</b> | 0.4 | 0.6 | 0.7 | 0.9 | 1.1 | 1.2 |
| K=5 <b>L=</b> | 1.0 | 1.0 | 1.2 | 1.8 | 2.0 | 2.0 |
| K=6 <b>L=</b> | 1.6 | 1.8 | 2.0 | 2.1 | 2.3 | 2.5 |

The above values are calculated on doors with a 1 mm radius. They are reduced if the doors have greater radiussed edges.

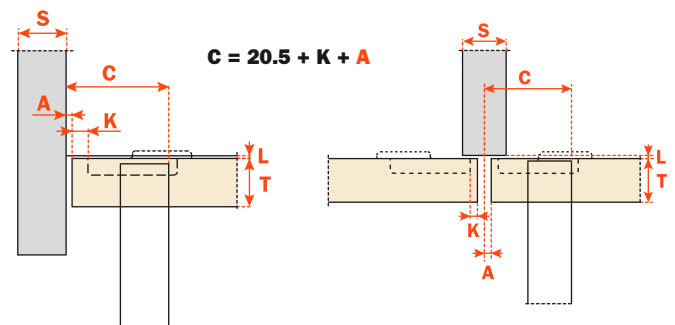
**Protrusion of the door**

Protrusion of the door from the cabinet side at the max. opening. The figures are based on a straight arm hinge, H=0 mm thickness of mounting plate and K value = 3 mm.



**“C” value**

With this formula you can obtain the max. thickness of the moulded door that can be opened without touching adjacent cabinet sides, doors or walls, while bearing in mind the above L · K · T values.



| Abbreviations:                           |   |
|--|---|
| <b>S</b> = Thickness of the cabinet side | <b>A</b> = Reveal                           |
| <b>D</b> = Required door overlay         | <b>L</b> = Gap between the door and cabinet |
| <b>T</b> = Door thickness                | <b>H</b> = Height of the mounting plate     |
| <b>K</b> = Drilling distance             | <b>G</b> = Hinge constant                   |

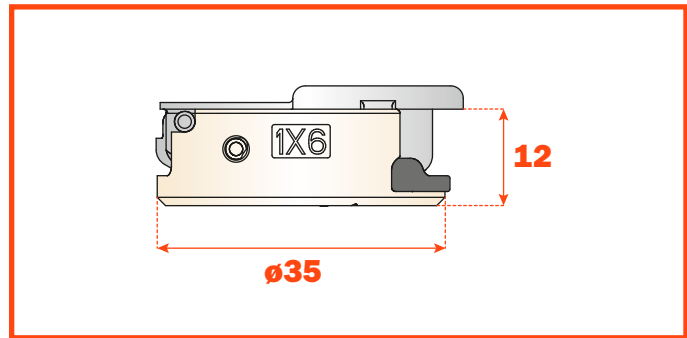
**Packing** • Boxes 300 pcs. • Pallets 7.200 pcs.

Use these formulas to determine the type of hinge arm, the drilling distance "K" and the height of the mounting plate "H" which is necessary to solve each application problem.

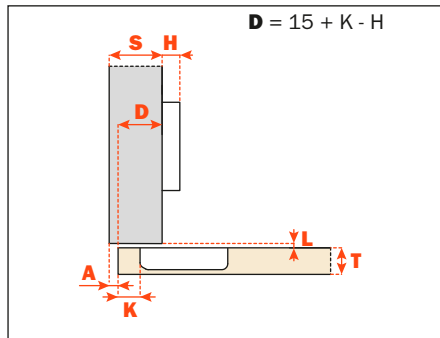
Use the tables "Drilling and attachment" at page 11 to complete the code number of the desired hinge.

To limit the opening of the hinge, see page 63, chapter "Accessories".

**\*Check with your Salice sales representative or customer service for specific Titanium availability.**

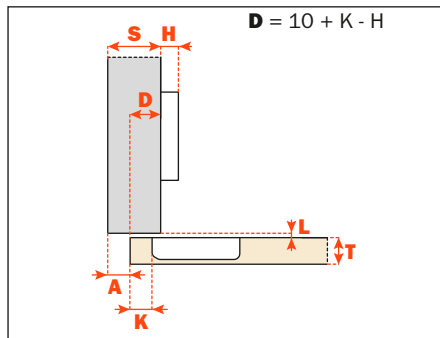


**Full overlay/ A crank - 0 mm**



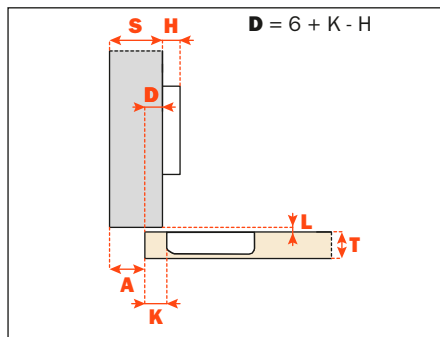
| Attachment |            | Nickel  | Titanium |
|------------|------------|---------|----------|
|            | Wood screw | C1P6AE9 | C1P6AE6  |
|            | Dowel      | C1R6AE9 | C1R6AE6  |
|            | Rapido     | C176AE9 | -        |
|            | Logica     | C1J6AE9 | -        |

**1/2" overlay/ D crank - 5 mm**



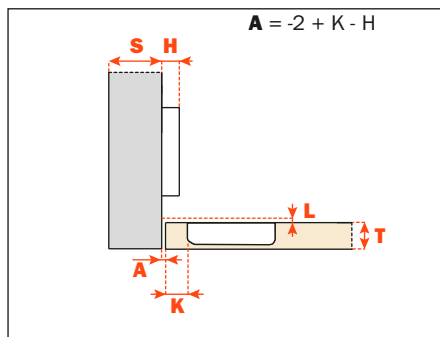
| Attachment |            | Nickel  | Titanium |
|------------|------------|---------|----------|
|            | Wood screw | C1P6DE9 | C1P6DE6  |
|            | Dowel      | C1R6DE9 | C1R6DE6  |
|            | Rapido     | C176DE9 | -        |
|            | Logica     | C1J6DE9 | -        |

**Half overlay/ G crank - 9 mm**



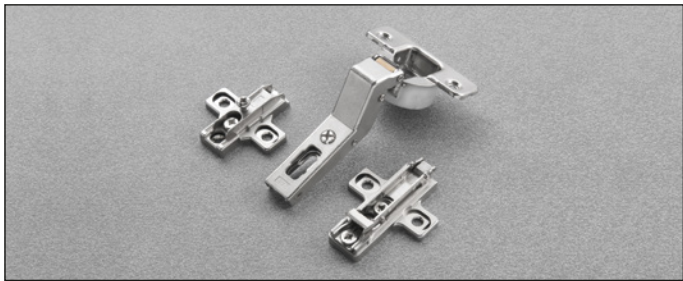
| Attachment |            | Nickel  | Titanium |
|------------|------------|---------|----------|
|            | Wood screw | C1P6GE9 | C1P6GE6  |
|            | Dowel      | C1R6GE9 | C1R6GE6  |
|            | Rapido     | C176GE9 | -        |
|            | Logica     | C1J6GE9 | -        |

**Inset/ P crank - 17 mm**



| Attachment |            | Nickel  | Titanium |
|------------|------------|---------|----------|
|            | Wood screw | C1P6PE9 | C1P6PE6  |
|            | Dowel      | C1R6PE9 | C1R6PE6  |
|            | Rapido     | C176PE9 | -        |
|            | Logica     | C1J6PE9 | -        |

**Silentia** • 100 Series • Complementary hinges



**Technical Information**

Hinges with adjustable integrated soft-close mechanism operated by twin fluid dampers housed in the hinge cup. The decelerating effect is adjusted by using a simple switch.

For doors with positive angled assembly. Hinges for small/light door material or heavy front profiles 12 mm deep cup.

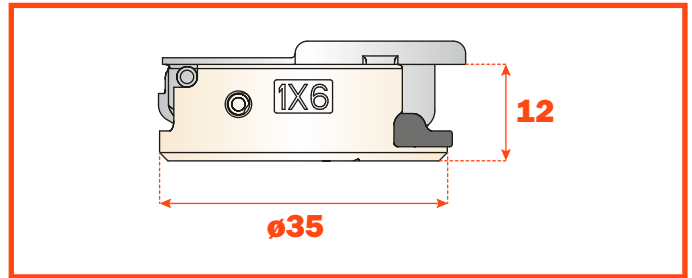
105° opening.  
Possible drilling distance on the door (K): from 3 to 6 mm.  
Compatible with all traditional 200 Series mounting plates and with all Domi snap-on mounting plates.

**Packing** • Boxes 150 pcs. • Pallets 3.600 pcs.

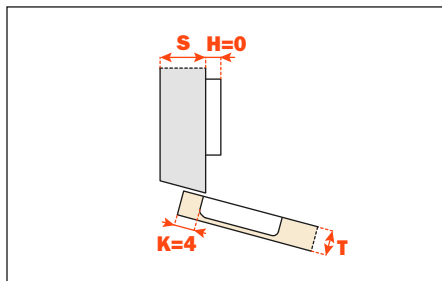
The solution of assembly problems where doors are mounted at a positive angle requires the verification of drilling distances by a practical trial. Please do not hesitate to consult our technical support department for assistance.

Use the tables "Drilling and attachment" at page 11 to complete the code number of the desired hinge.

**Note: For angled hinges, unless otherwise noted the K= 4 mm and the H= 0 mm.**

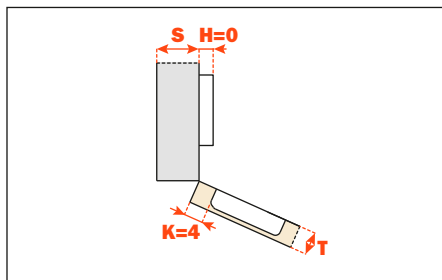


**Arm 15°**



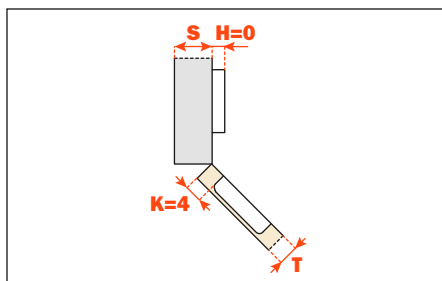
| Attachment | Nickel  |
|------------|---------|
| Dowel      | C1R6ZE9 |

**Arm 30°**



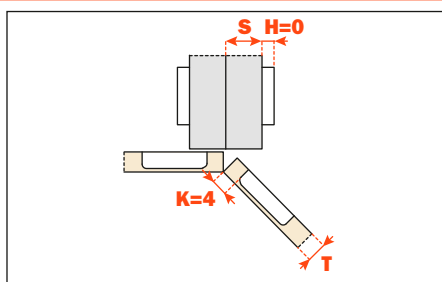
| Attachment | Nickel  |
|------------|---------|
| Dowel      | C1R6EE9 |

**Arm 45°**

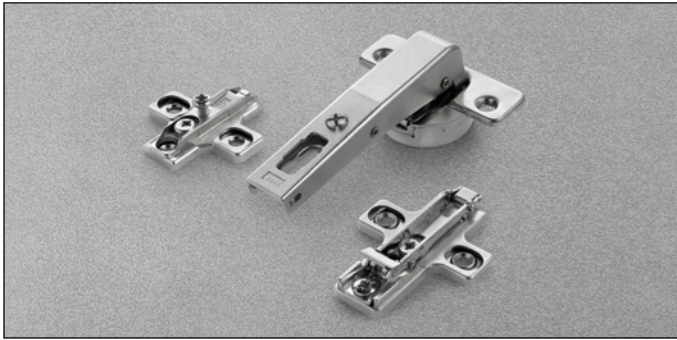


| Attachment | Nickel  |
|------------|---------|
| Wood screw | C1P6ME9 |
| Dowel      | C1R6ME9 |
| Rapido     | C176ME9 |

**Arm 45°**



| Attachment | Nickel    |
|------------|-----------|
| Wood screw | C1P6ME9AC |
| Dowel      | C1R6ME9AC |
| Rapido     | C176ME9AC |
| Logica     | C1J6ME9AC |



### Technical Information

Hinges with adjustable integrated soft-close mechanism operated by twin fluid dampers housed in the hinge cup. The decelerating effect is adjusted by using a simple switch.

**Inset blind corner hinges for cabinet sides with 37 x 32 standard drilling.**  
**Hinges for small/light door material or heavy front profiles.**  
**12 mm deep cup.**

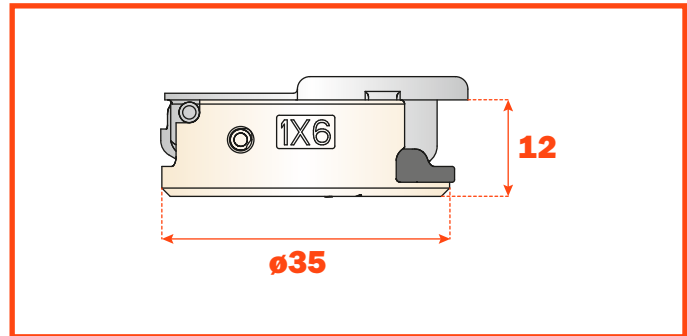
105° opening.

Possible drilling distance on the door (K): from 3 to 6 mm.

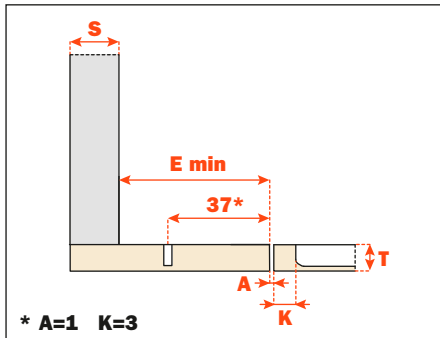
Compatible with all traditional 200 Series mounting plates and with all Domi snap-on mounting plates.

**Packing** • Boxes 150 pcs. • Pallets 3.600 pcs.

Use the tables "Drilling and attachment" at page 11 to complete the code number of the desired hinge.



### Inset blind corner

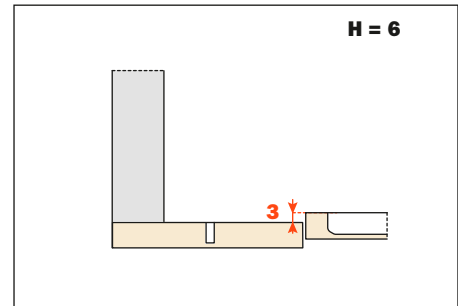
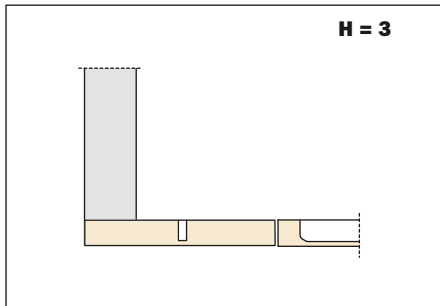
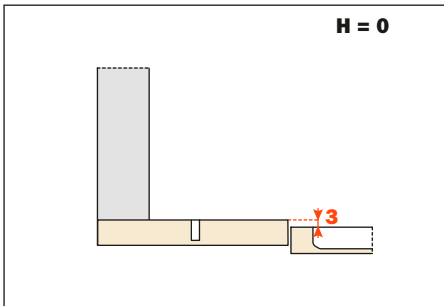


| Attachment | Nickel    |
|------------|-----------|
| Wood screw | C1P6NE9AC |
| Dowel      | C1R6NE9AC |
| Rapido     | C176NE9AC |

#### E min:

- 61 mm for 200 Series mounting plates.
- 70 mm for Domi snap-on mounting plates.
- 74 mm for Domi snap-on mounting plates with back cam.

### Heights of mounting plates for every application.



**Silentia** • 100 Series • Complementary hinges

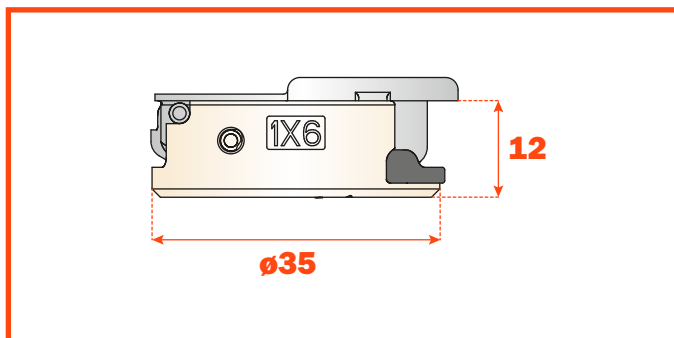


**Technical information**

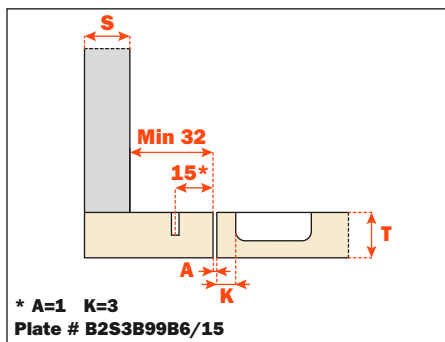
Hinges with adjustable integrated soft-close mechanism operated by twin fluid dampers housed in the hinge cup. The decelerating effect is adjusted by using a simple switch. For smaller spaces with 15 x 32 mm drilling. Inset blind corner hinge short arm Hinges for min. 15 mm thick doors. 12 mm deep cup. 105° opening. Possible drilling distance on the door (K): from 3 to 9 mm. **NOT COMPATIBLE** with Domi snap-on mounting plates. Use only with B2S baseplates

**Packing** • Boxes 150 pcs. • Pallets 3.600 pcs.

Use the tables "Drilling and attachments" at page 11 to complete the code number of the desired hinge.

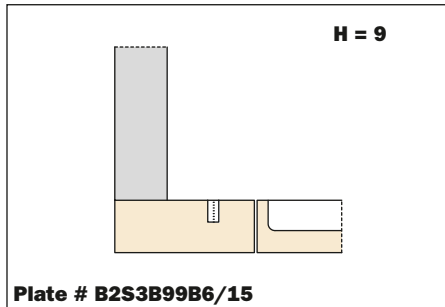
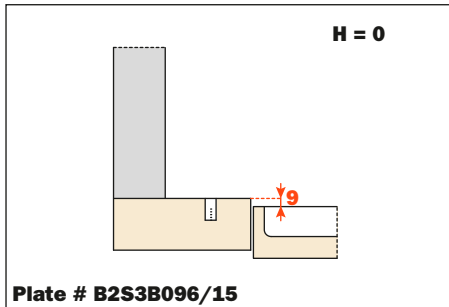


**Inset blind corner hinge**



| Attachment | Nickel  |
|------------|---------|
| Dowel      | C1R6NE9 |

**Heights of mounting plates for every application.**







**Silential+ • 200 Series for Thick doors or 0 Protrusion**

# Silentia

- 200 Series for thick doors
- 94° opening • 0 protrusion

## Technical features

### Integrated soft close by means of twin fluid dampers

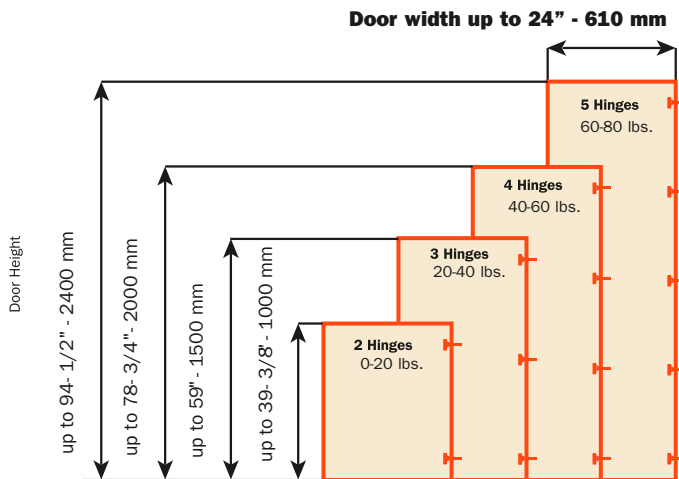
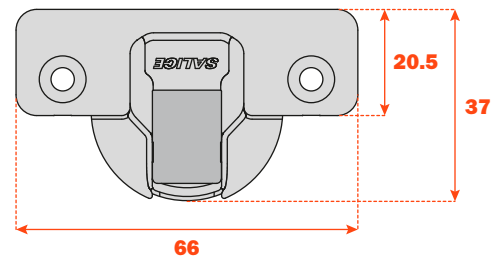
- Adjustment switch to set a comfortable soft close action
- Impervious to temperature extremes
- Very smooth opening with minimal resistance
- Patented compensating parallel side adjustment
- Available in all Salice fixing types (Screw, Dowel, Rapido, Logica)
- Available in Nickel or Titanium finish
- Exceeds ANSI/BHMA standards A156.9-2020

Constant “L” value of 1.5 mm (it does not change during side adjustment).

The number of hinges required depends on the size, weight and material of the door.

**The distance between the top and bottom hinge must be greater than the width of the door.**

Additional hinges should be added if doors are near the border of the line of size or weight chart. Use the diagram below to determine the number of hinges.



## Adjustments

Compensating (parallel) side adjustment from -1.5 mm to +4.5 mm.  
 Height adjustment ±2 mm.  
 Depth adjustment with Domi snap-on mounting plates from -0.5 mm to +2.8 mm.  
 Depth adjustment with 200 Series mounting plates +2.8 mm.

## Mounting plates

Snap-on assembly on Domi mounting plates.  
 Symmetrical and asymmetrical bright nickel plated steel or die-cast 200 Series mounting plates

**Note: Use No. 2 Pozi drive screwdrivers for all screws.**

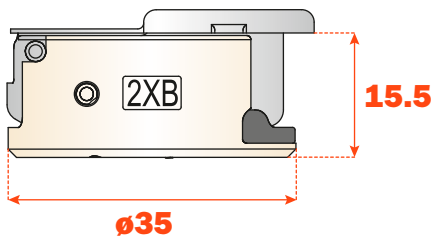
## Drilling and attachment

|            |  |   |   |
|------------|--|---|---|
|            |  |   |   |
| Wood screw |  | P | P |
|            |  |   |   |
| Dowel      |  | R | R |
| Rapido     |  | 7 | 7 |
| Logica     |  | J | J |

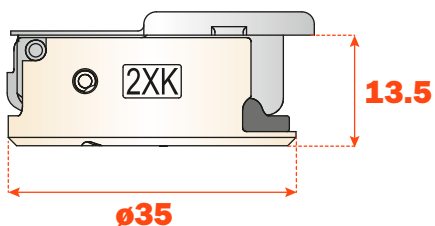
Use this table to identify the available attachment options to the door.  
 Fill the third position of the hinge code number with the letter or the number  
 corresponding to your choice. I.e.: C2\_BAE9.



Fill this position with the chosen letter or number.



**94° opening and complementary hinges**



**155° opening 0 protrusion hinges**

**Silentia** • 200 Series for thick doors • 94° opening



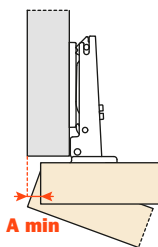
**Technical information**

Hinges with adjustable integrated soft-close mechanism operated by twin fluid dampers housed in the hinge cup. The decelerating effect is adjusted by using a simple switch.

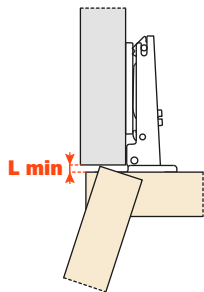
Minimum 18 mm / maximum 35 mm door thickness  
15.5 mm deep cup.

94° opening.  
Possible drilling distance on the door (K): from 3 to 9 mm.  
Compatible with all traditional 200 Series mounting plates and with all Domi snap-on mounting plates.

**Space needed to open the door**



| T=  | 19            | 20  | 21  | 22  | 23  | 24  | 25  | 26  | 27  | 28  | 29  | 30  | 31  | 32  | 33  | 34  | 35  |
|-----|---------------|-----|-----|-----|-----|-----|-----|-----|-----|-----|-----|-----|-----|-----|-----|-----|-----|
| K=3 | <b>A=</b> 0.1 | 0.2 | 0.3 | 0.4 | 0.5 | 0.7 | 0.8 | 1.0 | 1.6 | 2.6 | 3.5 | 4.5 | 5.4 | 6.4 | 7.4 | 8.3 | 9.3 |
| K=4 | <b>A=</b> 0.1 | 0.2 | 0.3 | 0.4 | 0.5 | 0.7 | 0.8 | 1.0 | 1.2 | 1.9 | 2.8 | 3.8 | 4.7 | 5.7 | 6.6 | 7.6 | 8.6 |
| K=5 | <b>A=</b> 0.1 | 0.2 | 0.3 | 0.4 | 0.5 | 0.7 | 0.8 | 1.0 | 1.2 | 1.4 | 2.2 | 3.1 | 4.1 | 5.0 | 5.9 | 6.9 | 7.8 |
| K=6 | <b>A=</b> 0.1 | 0.2 | 0.3 | 0.4 | 0.5 | 0.6 | 0.8 | 1.0 | 1.2 | 1.4 | 1.7 | 2.6 | 3.5 | 4.4 | 5.3 | 6.2 | 7.2 |
| K=7 | <b>A=</b> 0.1 | 0.2 | 0.3 | 0.4 | 0.5 | 0.6 | 0.8 | 1.0 | 1.1 | 1.3 | 1.6 | 2.1 | 3.0 | 3.8 | 4.7 | 5.6 | 6.5 |
| K=8 | <b>A=</b> 0.1 | 0.2 | 0.3 | 0.4 | 0.5 | 0.6 | 0.8 | 0.9 | 1.1 | 1.3 | 1.6 | 1.8 | 2.5 | 3.3 | 4.2 | 5.1 | 6.0 |
| K=9 | <b>A=</b> 0.1 | 0.2 | 0.3 | 0.4 | 0.5 | 0.6 | 0.8 | 0.9 | 1.1 | 1.3 | 1.5 | 1.8 | 2.1 | 2.9 | 3.7 | 4.6 | 5.4 |

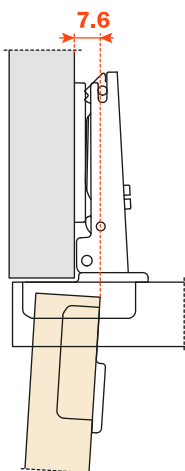


| K         | 3   | 4   | 5   | 6   | 7   | 8   | 9   |
|-----------|-----|-----|-----|-----|-----|-----|-----|
| <b>L=</b> | 0.0 | 0.0 | 0.0 | 0.0 | 0.0 | 0.3 | 1.3 |

The above values are calculated on doors with a 1 mm radiussed edge. They are reduced if the doors have greater radiussed edges.

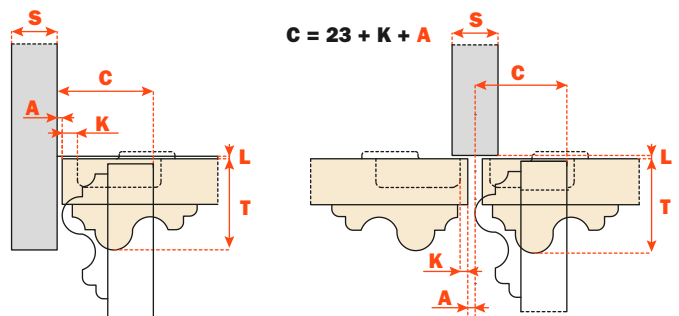
**Protrusion of the door**

Protrusion of the door from the cabinet side at the max. opening. The figures are based on a straight arm hinge, H=0 mm thickness of mounting plate and K value = 3 mm.



**“C” value**

With this formula you can obtain the max. thickness of the moulded door that can be opened without touching adjacent cabinet sides, doors or walls, while bearing in mind the above L·K·T values.



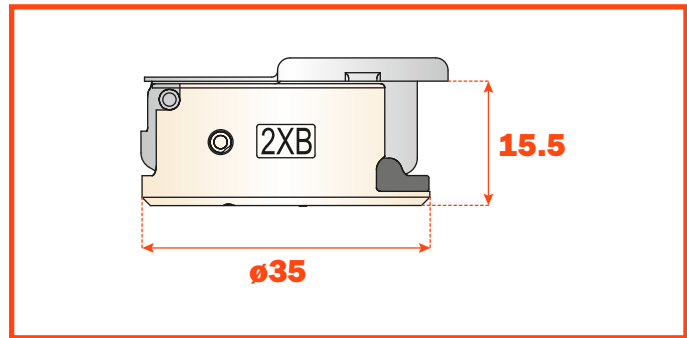
| Abbreviations:                           |   |
|--|---|
| <b>S</b> = Thickness of the cabinet side | <b>A</b> = Reveal                           |
| <b>D</b> = Required door overlay         | <b>L</b> = Gap between the door and cabinet |
| <b>T</b> = Door thickness                | <b>H</b> = Height of the mounting plate     |
| <b>K</b> = Drilling distance             | <b>G</b> = Hinge constant                   |

**Packing** • Boxes 300 pcs. • Pallets 7.200 pcs.

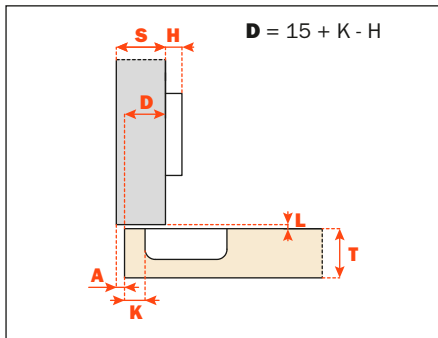
Use these formulas to determine the type of hinge arm, the drilling distance "K" and the height of the mounting plate "H" which is necessary to solve each application problem.

Use the tables "Drilling and attachment" at page 19 to complete the code number of the desired hinge.

**\*Check with your Salice sales representative or customer service for specific Titanium availability**

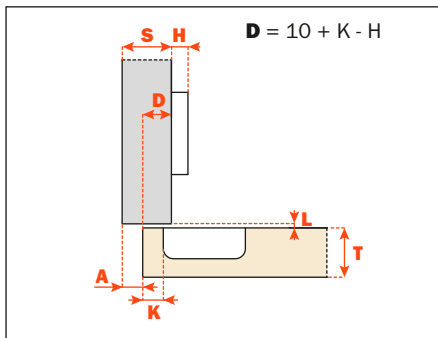


**Full overlay/ A crank - 0 mm**



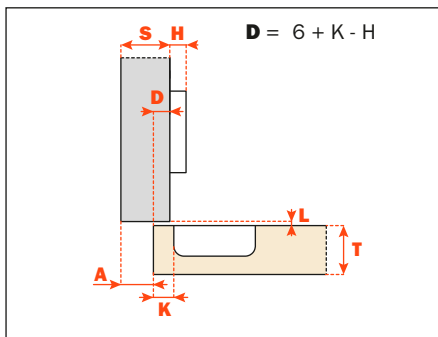
| Attachment | Nickel  | Titanium |
|------------|---------|----------|
| Wood screw | C2PBAE9 | C2PBAE6  |
| Dowel      | C2RBAE9 | C2RBAE6  |
| Rapido     | C27BAE9 | -        |
| Logica     | C2JBAE9 | -        |

**1/2" overlay/ D crank - 5 mm**



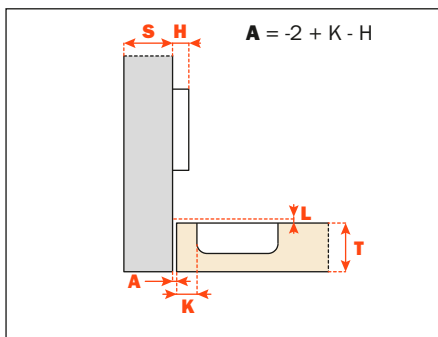
| Attachment | Nickel  | Titanium |
|------------|---------|----------|
| Wood screw | C2PBDE9 | -        |
| Dowel      | C2RBDE9 | -        |
| Rapido     | C27BDE9 | -        |
| Logica     | C2JBDE9 | -        |

**Half overlay/ G crank - 9 mm**



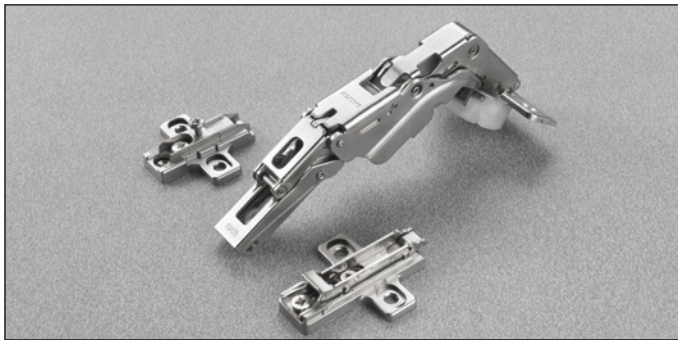
| Attachment | Nickel  | Titanium |
|------------|---------|----------|
| Wood screw | C2PBGE9 | C2PBGE6  |
| Dowel      | C2RBGE9 | C2RBGE6  |
| Rapido     | C27BGE9 | -        |
| Logica     | C2JBGE9 | -        |

**Inset/ P crank - 17 mm**



| Attachment | Nickel  | Titanium |
|------------|---------|----------|
| Wood screw | C2PBPE9 | C2PBPE6  |
| Dowel      | C2RBPE9 | C2RBPE6  |
| Rapido     | C27BPE9 | -        |
| Logica     | C2JBPE9 | -        |

**Silentia** • 200 Series 155° 0 Protrusion



**Technical information**

Hinges with integrated soft-close mechanism operated by twin fluid dampers housed in the hinge cup.

Hinges for 0 protrusion or wide opening angle 13.5 mm deep cup.

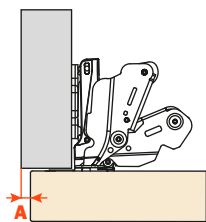
Minimum. 16 mm - 28 mm maximum door thickness.

155° opening.

Possible drilling distance on the door (K): from 3 to 8 mm.

Compatible with all traditional 200 Series mounting plates and with all Domi snap-on mounting plates.

**Space needed to open the door**



|     | T=        | 16  | 18  | 20  | 22  | 24   | 25   | 26   | 27                         | 28                         |
|-----|-----------|-----|-----|-----|-----|------|------|------|----------------------------|----------------------------|
| K=3 | <b>A=</b> | 0.0 | 0.0 | 0.0 | 0.0 | 0.0  | 0.10 | 0.40 | 0.75                       | 1.20                       |
| K=4 | <b>A=</b> | 0.0 | 0.0 | 0.0 | 0.0 | 0.0  | 0.15 | 0.45 | 0.85                       | 1.35                       |
| K=5 | <b>A=</b> | 0.0 | 0.0 | 0.0 | 0.0 | 0.0  | 0.20 | 0.50 | 0.95                       | <b>120°</b><br><b>1.70</b> |
| K=6 | <b>A=</b> | 0.0 | 0.0 | 0.0 | 0.0 | 0.0  | 0.25 | 0.60 | 1.10                       | <b>120°</b><br><b>1.95</b> |
| K=7 | <b>A=</b> | 0.0 | 0.0 | 0.0 | 0.0 | 0.0  | 0.30 | 0.70 | 1.30                       | <b>92°</b><br><b>2.30</b>  |
| K=8 | <b>A=</b> | 0.0 | 0.0 | 0.0 | 0.0 | 0.0  | 0.35 | 0.85 | <b>120°</b><br><b>1.70</b> | <b>92°</b><br><b>2.80</b>  |
| K=9 | <b>A=</b> | 0.0 | 0.0 | 0.0 | 0.0 | 0.15 | 0.55 | 1.20 | <b>92°</b><br><b>2.15</b>  |                            |

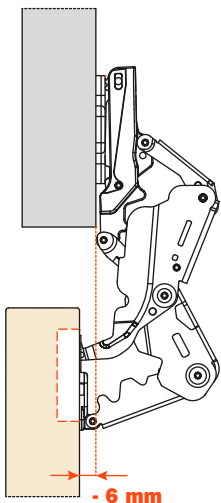
With opening stop device to 92° art. S2BM37XG

With opening stop device to 120° art. S2AM37XG

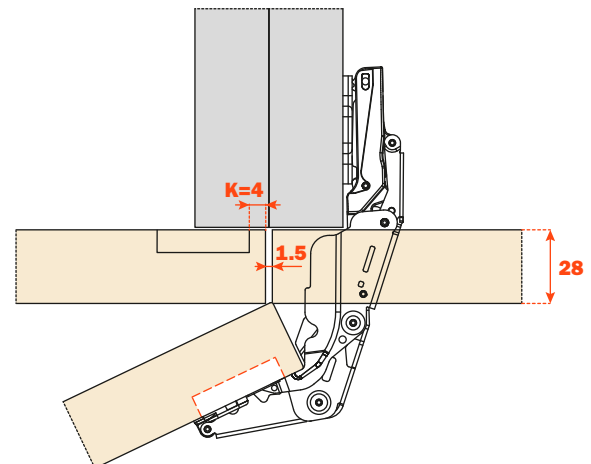
The above values are calculated on doors with a 1 mm radiussed edge. They are reduced if the doors have greater radiussed edges.

**Protrusion of the door**

The door combined with a mounting plate H=0 and a straight arm hinge opens at 90° with lateral door protrusion of -6 mm.



**“C” value**



**Abbreviations:**

|  |   |
|--|---|
| <b>S</b> = Thickness of the cabinet side | <b>A</b> = Reveal                           |
| <b>D</b> = Required door overlay         | <b>L</b> = Gap between the door and cabinet |
| <b>T</b> = Door thickness                | <b>H</b> = Height of the mounting plate     |
| <b>K</b> = Drilling distance             | <b>G</b> = Hinge constant                   |

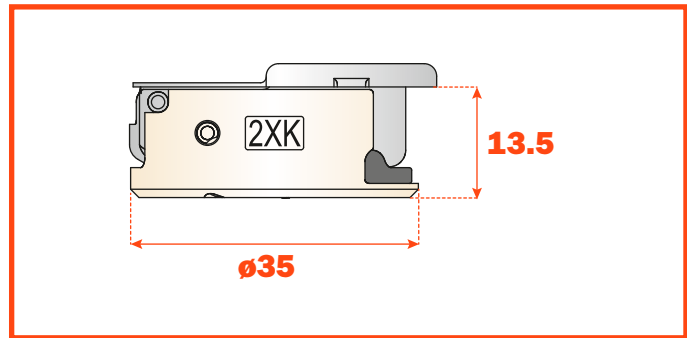
**Packing** • Boxes 100 pcs. • Pallets 2.400 pcs.

Use these formulas to determine the type of hinge arm, the drilling distance "K" and the height of the mounting plate "H" which is necessary to solve each application problem.

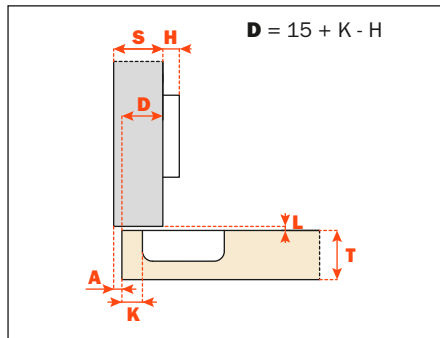
To limit the opening of the hinge, see page 63 chapter "Accessories".

Use the tables "Drilling and attachment" at page 19 to complete the code number of the desired hinge.

**\*Check with your Salice sales representative or customer service for specific Titanium availability**

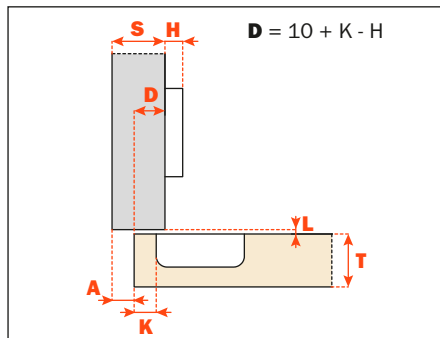


**Full overlay/ A crank - 0 mm**



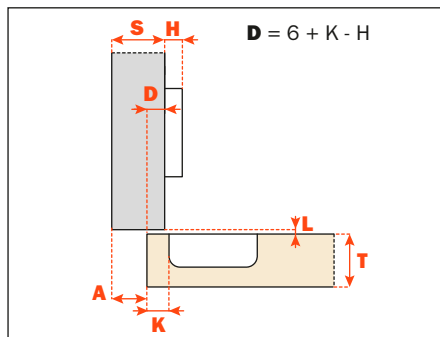
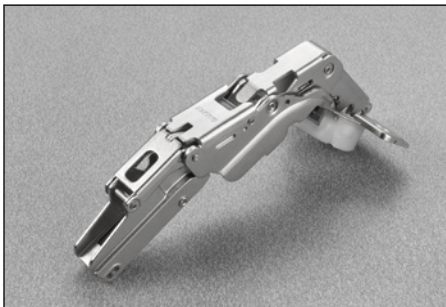
| Attachment | Nickel  | Titanium |
|------------|---------|----------|
| Wood screw | C2PKAE9 | C2PKAE6  |
| Dowel      | C2RKAE9 | C2RKAE6  |
| Rapido     | C27KAE9 | -        |
| Logica     | C2JKAE9 | C2JKAE6  |

**1/2" overlay/ D crank - 5 mm**



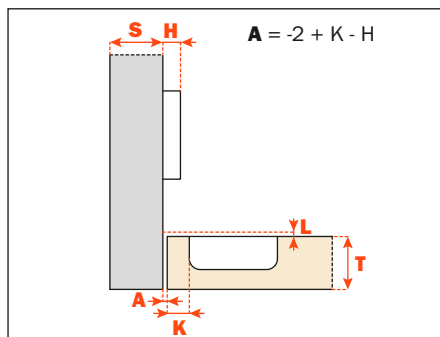
| Attachment | Nickel  |
|------------|---------|
| Wood screw | C2PKDE9 |
| Dowel      | C2RKDE9 |

**Half overlay/ G crank - 9 mm**



| Attachment | Nickel  | Titanium |
|------------|---------|----------|
| Wood screw | C2PKGE9 | C2PKGE6  |
| Dowel      | C2RKGE9 | C2RKGE6  |
| Logica     | C2JKGE9 | C2JKGE6  |

**Inset/ P crank - 17 mm**



| Attachment | Nickel  | Titanium |
|------------|---------|----------|
| Wood screw | C2PKPE9 | C2PKPE6  |
| Dowel      | C2RKPE9 | C2RKPE6  |
| Logica     | C2JKPE9 | C2JKPE6  |

**Silentia** • 200 Series for thick doors • Complementary hinges



**Technical information**

Hinges with adjustable integrated soft-close mechanism operated by twin fluid dampers housed in the hinge cup. The decelerating effect is adjusted by using a simple switch.

For doors with positive angled assembly.

Minimum 18 mm thick doors.

15.5 mm deep cup.

94° opening.

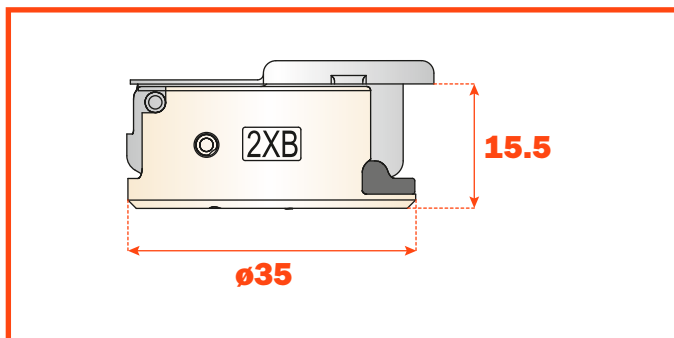
Possible drilling distance on the door (K): from 3 to 9 mm.

Compatible with all traditional 200 Series mounting plates and with all Domi snap-on mounting plates.

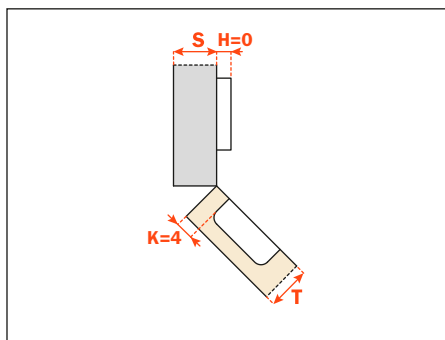
**Packing** • Boxes 150 pcs. • Pallets 3.600 pcs.


The solution of assembly problems where doors are mounted at a positive angle requires the verification of drilling distances by a practical trial. Please do not hesitate to consult our technical support department for assistance.

Use the tables "Drilling and attachment" at page 19 to complete the code number of the desired hinge.



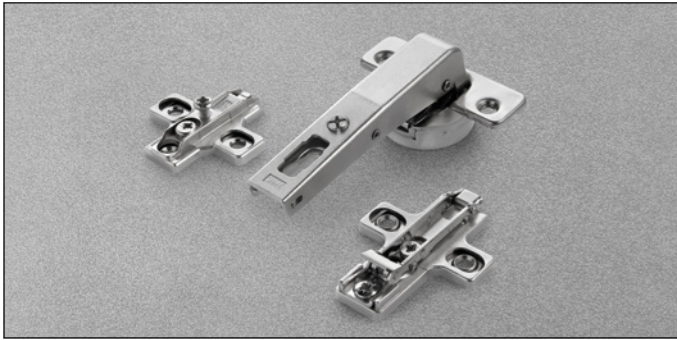
**Arm 45°**



| Attachment  | Nickel  |
|---|---------|
|  Dowel | C2RBME9 |



**200 Series for thick doors • Complementary hinges**



**Technical information**

Hinges with adjustable integrated soft-close mechanism operated by twin fluid dampers housed in the hinge cup. The decelerating effect is adjusted by using a simple switch.

**Inset blind corner hinges.**

**For cabinet sides with 37x32 mm standard drilling.**

**Minimum 18 mm thick doors.**

**15.5 mm deep cup.**

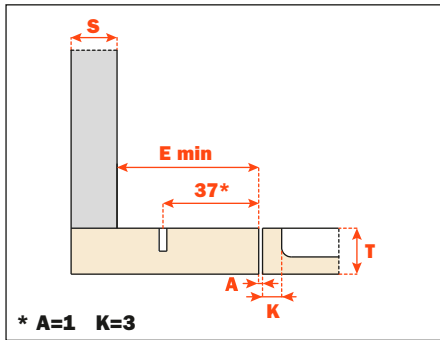
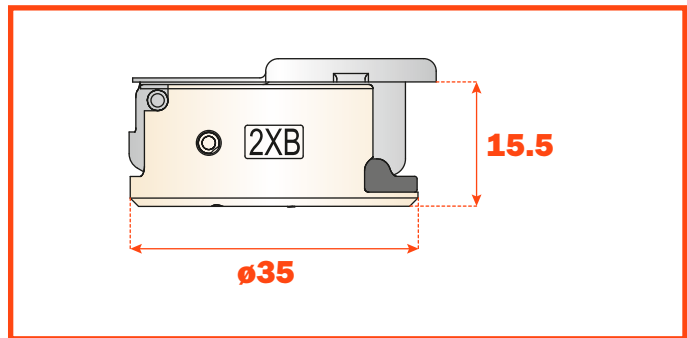
94° opening.

Possible drilling distance on the door (K): from 3 to 9 mm.

Compatible with all traditional 200 Series mounting plates and with all Domi snap-on mounting plates.

**Packing** • Boxes 150 pcs. • Pallets 3.600 pcs.

Use the tables “Drilling and attachment” at page 19 to complete the code number of the desired hinge.

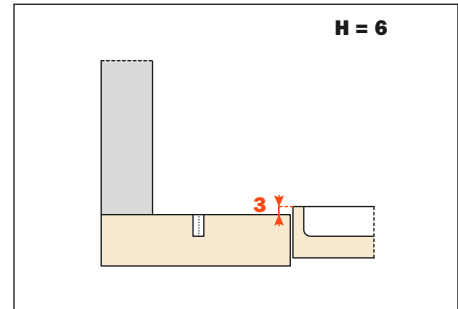
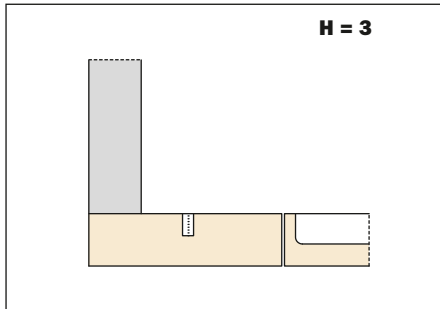
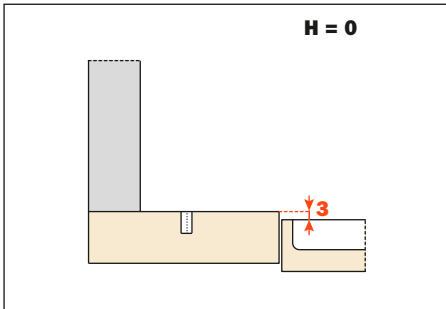


| Attachment | Nickel    |
|------------|-----------|
| Wood screw | C2PBNE9AC |
| Dowel      | C2RBNE9AC |

**E min:**

- 61 mm for 200 Series mounting plates.
- 70 mm for Domi snap-on mounting plates.
- 74 mm for Domi snap-on mounting plates with back cam.

**Heights of mounting plates for every application.**







**Silentia+** • 700 Series • 13.5 mm Cup Depth

**Silentia** • 700 Series

**Technical features**

**Integrated soft close by means of twin fluid dampers**

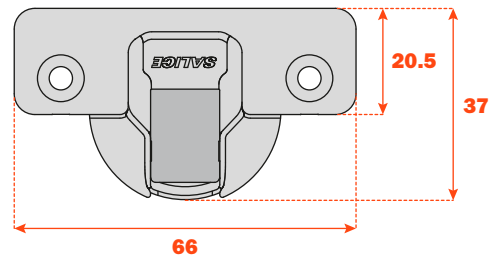
- Adjustment switch to set a comfortable soft close action
- Impervious to temperature extremes
- Very smooth opening with minimal resistance
- Patented compensating parallel side adjustment
- Available in all Salice fixing types (Screw, Dowel, Rapido, Logica)
- Available in Nickel or Titanium finish
- Exceeds ANSI/BHMA standards A156.9-2020

**Constant “L” value of 1.5 mm (it does not change during side adjustment).**

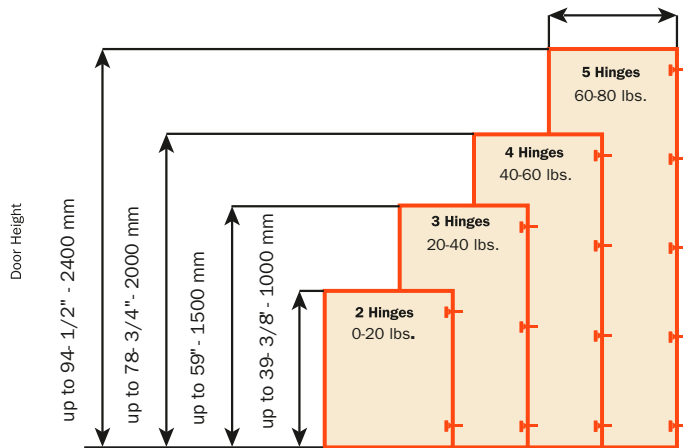
The number of hinges required depends on the size, weight and material of the door.

**The distance between the top and bottom of the hinge must be greater than the width of the door.**

Additional hinges should be added if doors are near the border of the line of size or weight chart. Use the diagram below to determine the number of hinges.



**Door width up to 24" - 610 mm**



**Adjustments**

- Compensated (parallel) side adjustment from -1.5 mm to +4.5 mm.
- Height adjustment  $\pm 2$  mm.
- Depth adjustment with Domi snap-on mounting plates from -0.5 mm to +2.8 mm.
- Depth adjustment with 200 Series mounting plates +2.8 mm.
- Anti-sliding safety stop.

**Mounting plates**

- Snap-on assembly on Domi mounting plates.
- Symmetrical and asymmetrical bright nickel plated steel or die-cast 200 Series mounting plates.
- Positioning with pre-determined stop on traditional 200 Series mounting plates.

**Note: Use No. 2 Pozi drive screwdrivers for all screws.**

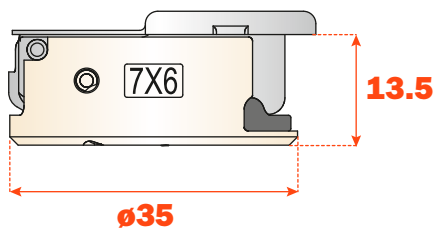
## Drilling and attachment

|            |  |          |
|------------|--|----------|
|            |  |          |
| Wood screw |  | <b>P</b> |
|            |  |          |
| Dowel      |  | <b>R</b> |
| Rapido     |  | <b>7</b> |
| Logica     |  | <b>J</b> |

**Use this table to identify the available attachment options to the door.  
Fill the third position of the hinge code number with the letter or the number  
corresponding to your choice. I.e.: C7\_6AE9.**



**Fill this position with the chosen letter or number.**



**110° opening  
and complementary hinges**

**Silentia** • 700 Series • 110° opening



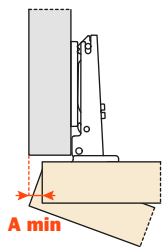
**Technical information**

Hinges with adjustable integrated soft-close mechanism operated by twin fluid dampers housed in the hinge cup. The decelerating effect is adjusted by using a simple switch.

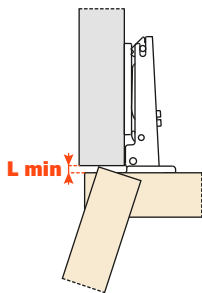
Minimum 16 mm / maximum 26 mm door thickness  
13.5 mm deep cup.  
110° opening.

Possible drilling distance on the door (K): from 3 to 6 mm.  
Compatible with all traditional 200 Series mounting plates and with all Domi snap-on mounting plates.

**Space needed to open the door**



| T=     | 16  | 17  | 18  | 19  | 20  | 21  | 22  | 23  | 24  | 25  | 26  |
|--------|-----|-----|-----|-----|-----|-----|-----|-----|-----|-----|-----|
| K=3 A= | 0.7 | 0.9 | 1.1 | 1.3 | 1.6 | 1.9 | 2.2 | 2.6 | 3.2 | 4.4 | 5.7 |
| K=4 A= | 0.6 | 0.8 | 1.1 | 1.3 | 1.6 | 1.8 | 2.2 | 2.5 | 2.9 | 3.4 | 4.7 |
| K=5 A= | 0.6 | 0.8 | 1.0 | 1.3 | 1.5 | 1.8 | 2.1 | 2.4 | 2.8 | 3.2 | 3.7 |
| K=6 A= | 0.6 | 0.8 | 1.0 | 1.2 | 1.5 | 1.8 | 2.1 | 2.4 | 2.7 | 3.1 | 3.6 |

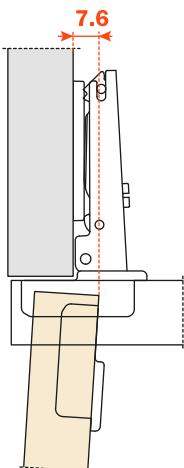


| T=     | 16  | 17  | 18  | 19  | 20  | 21  | 22  | 23  | 24  | 25  | 26  |
|--------|-----|-----|-----|-----|-----|-----|-----|-----|-----|-----|-----|
| K=3 L= | 0.0 | 0.0 | 0.0 | 0.0 | 0.0 | 0.0 | 0.0 | 0.2 | 0.4 | 0.6 | 0.9 |
| K=4 L= | 0.0 | 0.0 | 0.0 | 0.3 | 0.5 | 0.7 | 0.9 | 1.1 | 1.4 | 1.6 | 1.8 |
| K=5 L= | 0.6 | 0.8 | 1.0 | 1.2 | 1.5 | 1.7 | 1.9 | 2.1 | 2.4 | 2.6 | 2.8 |
| K=6 L= | 1.5 | 1.8 | 2.0 | 2.2 | 2.4 | 2.7 | 2.9 | 3.1 | 3.3 | 3.6 | 3.8 |

The above values are calculated on doors with a 1 mm radiussed edge. They are reduced if the doors have greater radiussed edges.

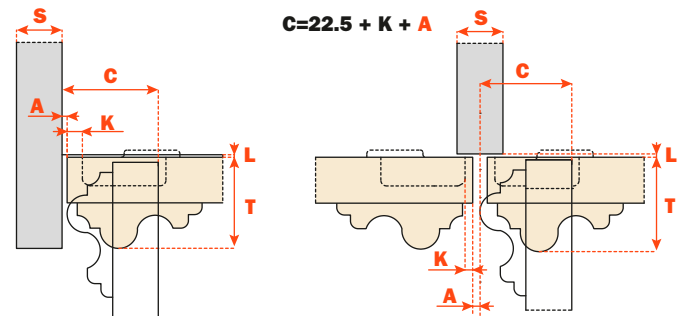
**Protrusion of the door**

Protrusion of the door from the cabinet side at the max. opening. The figures are based on a straight arm hinge, H=0 mm thickness of mounting plate and K value = 3 mm.



**“C” value**

With this formula you can obtain the max. thickness of the moulded door that can be opened without touching adjacent cabinet sides, doors or walls, while bearing in mind the above L · K · T values.



| Abbreviations:                           |   |
|--|---|
| <b>S</b> = Thickness of the cabinet side | <b>A</b> = Reveal                           |
| <b>D</b> = Required door overlay         | <b>L</b> = Gap between the door and cabinet |
| <b>T</b> = Door thickness                | <b>H</b> = Height of the mounting plate     |
| <b>K</b> = Drilling distance             | <b>G</b> = Hinge constant                   |

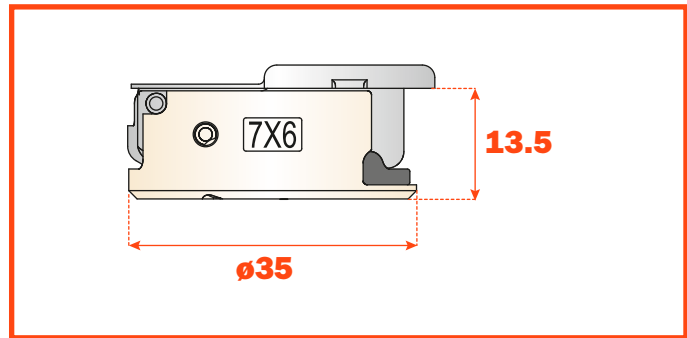
**Packing** • Boxes 300 pcs. • Pallets 7.200 pcs.

Use these formulas to determine the type of hinge arm, the drilling distance "K" and the height of the mounting plate "H" which is necessary to solve each application problem.

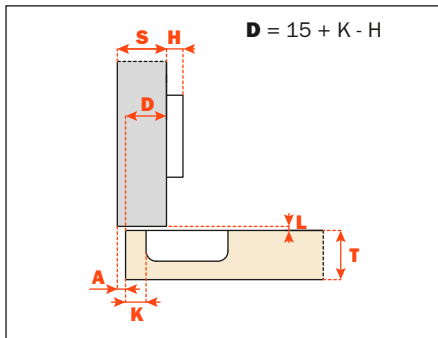
Use the tables "Drilling and attachments" at page 29 to complete the code number of the desired hinge.

To limit the opening of the hinge, see page 63, chapter "Accessories".

**\*Check with your Salice sales representative or customer service for specific Titanium availability**

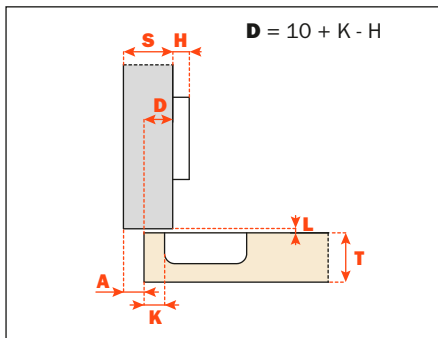


**Full overlay/ A crank - 0 mm**



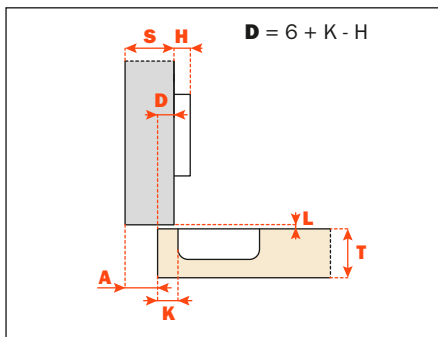
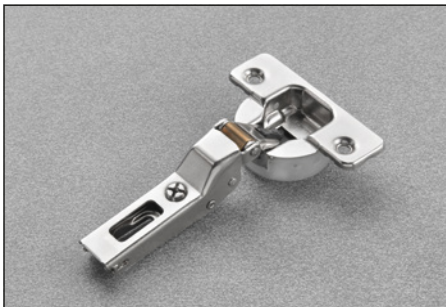
| Attachment | Nickel  | Titanium |
|------------|---------|----------|
| Wood screw | C7P6AE9 | C7P6AE6  |
| Dowel      | C7R6AE9 | C7R6AE6  |
| Rapido     | C776AE9 | -        |
| Logica     | C7J6AE9 | C7J6AE6  |

**1/2" overlay/ D crank - 5 mm**



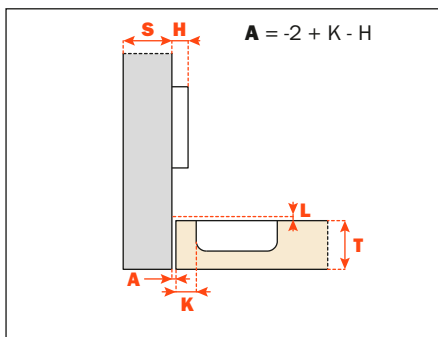
| Attachment | Nickel  | Titanium |
|------------|---------|----------|
| Wood screw | C7P6DE9 | -        |
| Dowel      | C7R6DE9 | -        |
| Rapido     | C776DE9 | -        |
| Logica     | C7J6DE9 | -        |

**Half overlay/ G crank - 9 mm**



| Attachment | Nickel  | Titanium |
|------------|---------|----------|
| Wood screw | C7P6GE9 | C7P6GE6  |
| Dowel      | C7R6GE9 | C7R6GE6  |
| Rapido     | C776GE9 | -        |
| Logica     | C7J6GE9 | C7J6GE6  |

**Inset/ P crank - 17 mm**



| Attachment | Nickel  | Titanium |
|------------|---------|----------|
| Wood screw | C7P6PE9 | C7P6PE6  |
| Dowel      | C7R6PE9 | C7R6PE6  |
| Rapido     | C776PE9 | -        |
| Logica     | C7J6PE9 | C7J6PE6  |

**Silentia** • 700 Series • Complementary hinges



**Technical information**

Hinges with adjustable integrated soft-close mechanism operated by twin fluid dampers housed in the hinge cup. The decelerating effect is adjusted by using a simple switch.

For doors with positive angled assembly.

Minimum 16 mm thick doors.

13.5 mm deep cup.

110° opening.

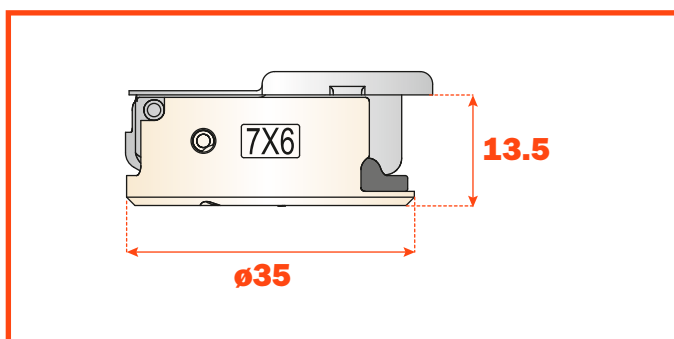
Possible drilling distance on the door (K): from 3 to 6 mm.

Compatible with all traditional 200 Series mounting plates and with all Domi snap-on mounting plates.

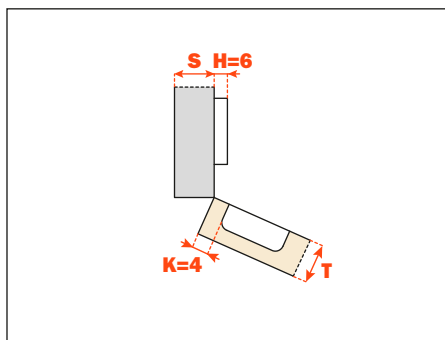
**Packing** • Boxes 150 pcs. • Pallets 3.600 pcs.

The solution of assembly problems where doors are mounted at a positive angle requires the verification of drilling distances by a practical trial. Please do not hesitate to consult our technical support department for assistance.

Use the tables “Drilling and attachment” at page 29 to complete the code number of the desired hinge.

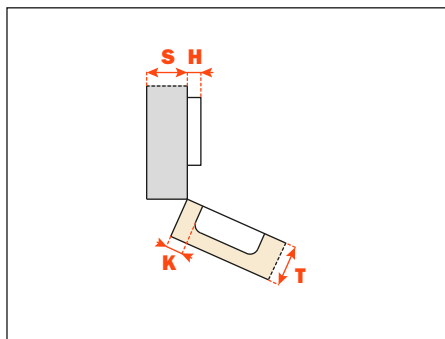
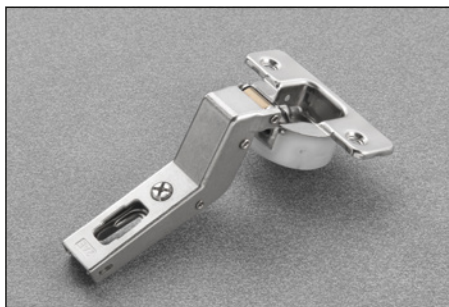


**Arm 24°**



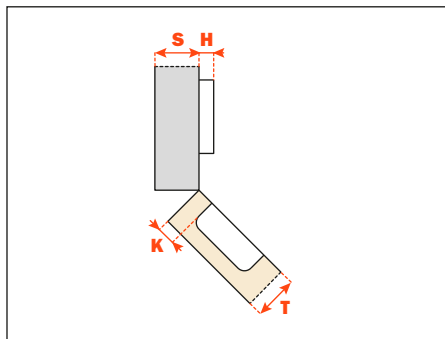
| Attachment | Nickel  |
|------------|---------|
| Dowel      | C7R6UE9 |

**Arm 30°**



| Attachment | Nickel  | Titanium |
|------------|---------|----------|
| Dowel      | C7R6EE9 | C7R6EE6  |

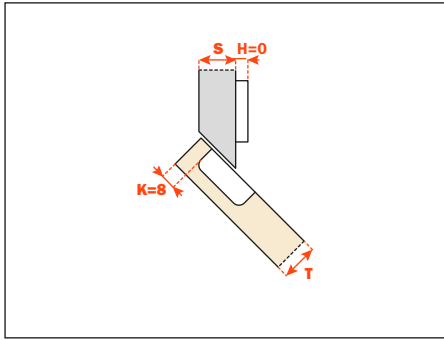
**Arm 45°**



| Attachment | Nickel  | Titanium |
|------------|---------|----------|
| Dowel      | C7R6ME9 | C7R6ME6  |

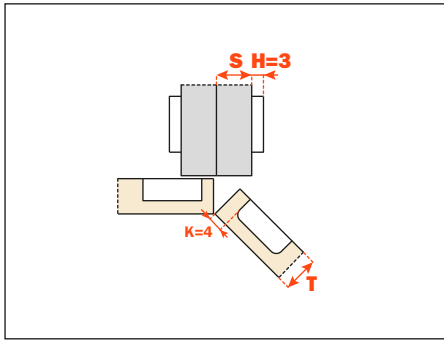



Arm 45°



| Attachment  | Nickel  |
|---|---------|
|  Dowel | C7R6VE9 |

Arm 45°



| Attachment  | Nickel    |
|---|-----------|
|  Dowel | C7R6ME9AC |

**Silentia** • 700 Series • Complementary hinges



**Technical information**

Hinges with adjustable integrated soft-close mechanism operated by twin fluid dampers housed in the hinge cup. The decelerating effect is adjusted by using a simple switch.

For doors with negative angled assembly.

Minimum 16 mm thick doors.

13.5 mm deep cup.

110° opening.

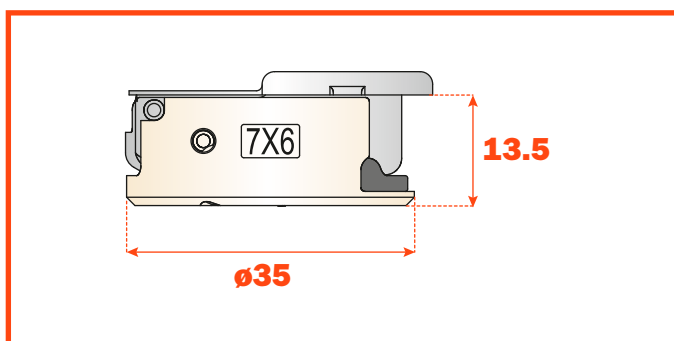
Possible drilling distance on the door (K): from 3 to 6 mm.

Compatible with all traditional 200 Series mounting plates and with all Domi snap-on mounting plates.

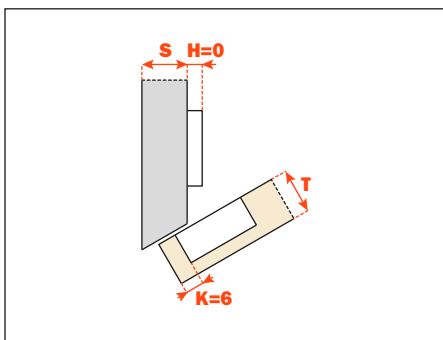
**Packing** • Boxes 150 pcs. • Pallets 3.600 pcs.

The solution of assembly problems where doors are mounted at a negative angle requires the verification of drilling distances by a practical trial. Please do not hesitate to consult our technical support department for assistance.

Use the tables "Drilling and attachment" at page 29 to complete the code number of the desired hinge.

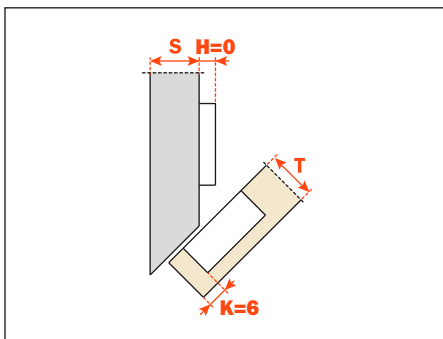


**Arm -30°**

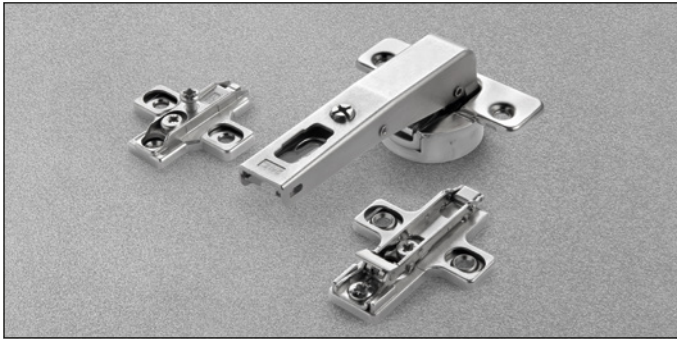


| <b>Attachment</b> |            | <b>Nickel</b> |
|-------------------|------------|---------------|
|                   | Wood screw | C7P6WE9       |
|                   | Dowel      | C7R6WE9       |

**Arm -45°**



| <b>Attachment</b> |            | <b>Nickel</b> |
|-------------------|------------|---------------|
|                   | Wood screw | C7P6HE9       |
|                   | Dowel      | C7R6HE9       |



### Technical information

**Hinges with adjustable integrated soft-close mechanism operated by twin fluid dampers housed in the hinge cup. The decelerating effect is adjusted by using a simple switch.**

#### Inset blind corner hinges.

**For cabinet sides with 37x32 mm standard drilling.**

**Minimum 16 mm thick doors.**

13.5 mm deep cup.

110° opening.

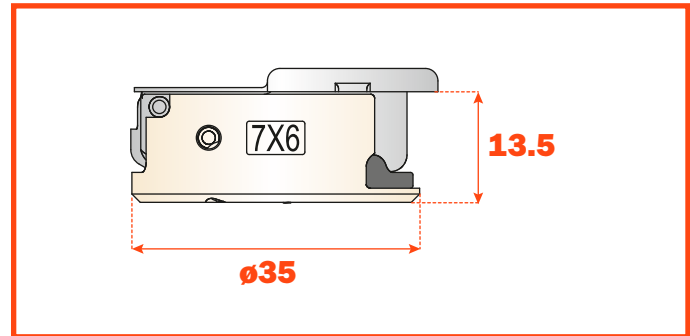
Possible drilling distance on the door (K): from 3 to 6 mm.

Compatible with all traditional 200 Series mounting plates and with all Domi snap-on mounting plates.

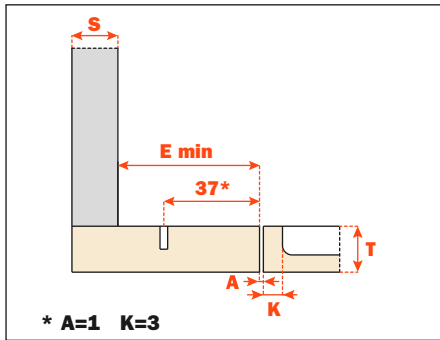
**Packing** • Boxes 150 pcs. • Pallets 3.600 pcs.

Use the tables “Drilling and attachments” at page 29 to complete the code number of the desired hinge.

**\*Check with your Salice sales representative or customer service for specific Titanium availability**



### Inset blind corner hinge

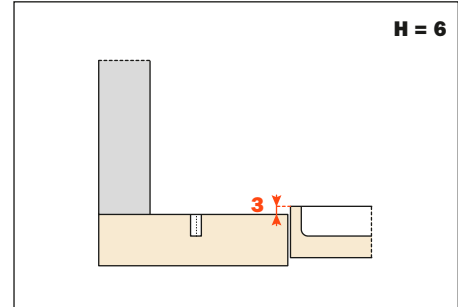
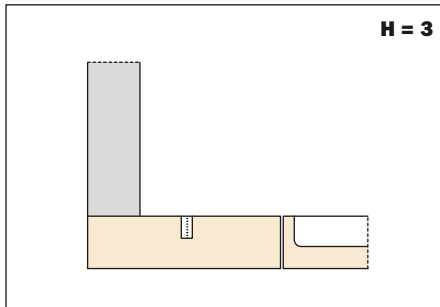
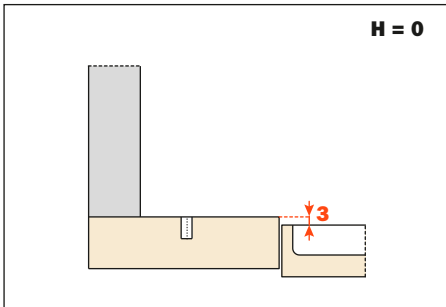


| Attachment |            | Nickel    |
|------------|------------|-----------|
|            | Wood screw | C7P6NE9AC |
|            | Dowel      | C7R6NE9AC |
|            | Logica     | C7J6NE9AC |

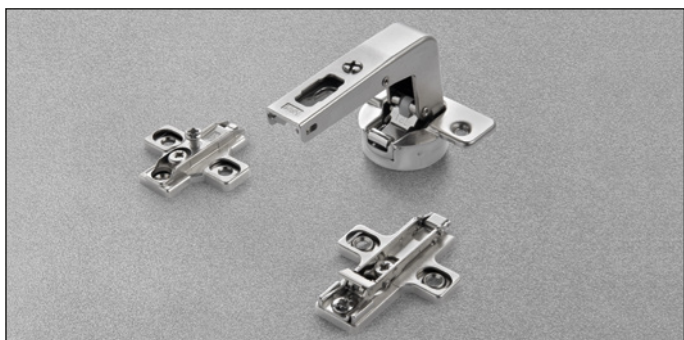
#### E min:

- 61 mm for 200 Series mounting plates.
- 70 mm for Domi snap-on mounting plates.
- 74 mm for Domi snap-on mounting plates with back cam.

### Heights of mounting plates for every application.



**Silentia** • 700 Series • Complementary hinges



**Technical information**

Hinges with adjustable integrated soft-close mechanism operated by twin fluid dampers housed in the hinge cup. The decelerating effect is adjusted by using a simple switch.

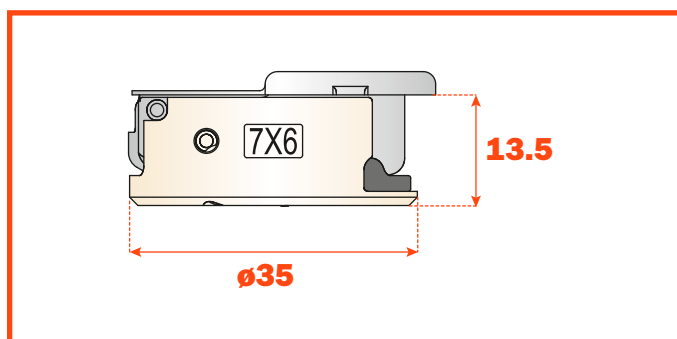
**Overlay blind corner hinges.**  
**Minimum 16 mm thick doors.**  
**13.5 mm deep cup.**

110° opening.  
 Possible drilling distance on the door (K): from 3 to 6 mm.  
 Compatible with all traditional 200 Series mounting plates and with all Domi snap-on mounting plates.

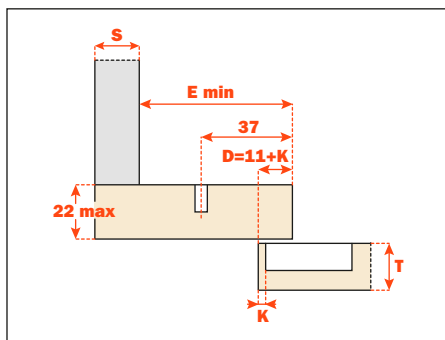
**Packing** • Boxes 150 pcs. • Pallets 3.600 pcs.

Use the tables "Drilling and attachments" at page 29 to complete the code number of the desired hinge.

**\*Check with your Salice sales representative or customer service for specific Titanium availability**



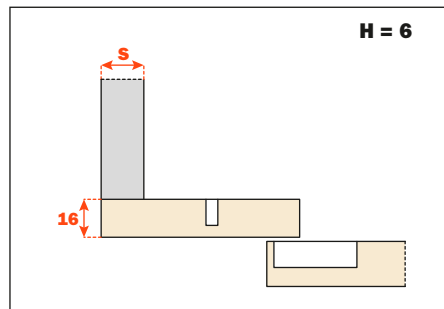
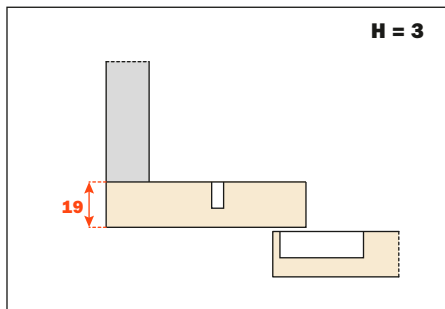
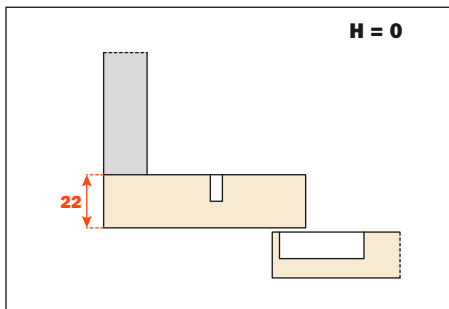
**Overlay blind corner hinge**



| Attachment | Nickel    |
|------------|-----------|
| Wood screw | C7P6NE9AM |
| Dowel      | C7R6NE9AM |

**E min:**  
 • 61 mm for 200 Series mounting plates.  
 • 70 mm for Domi snap-on mounting plates.  
 • 74 mm for Domi snap-on mounting plates with back cam.

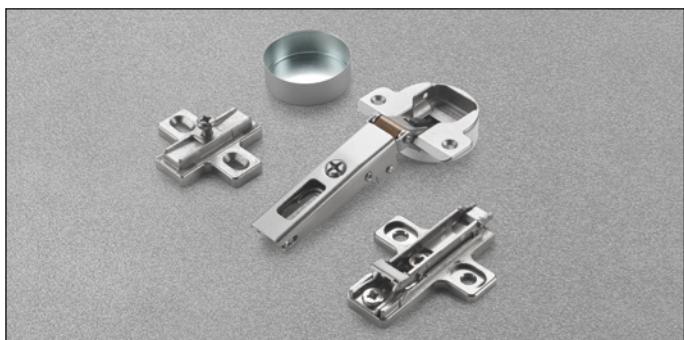
**Heights of mounting plates for every application.**





**Silentia+** • For metal profiles

# Silentia+ • For metal profiles



## Technical information

**Hinges with adjustable integrated soft-close mechanism operated by twin silicone-oil dampers housed in the hinge cup. The decelerating effect is adjusted by using a simple switch.**

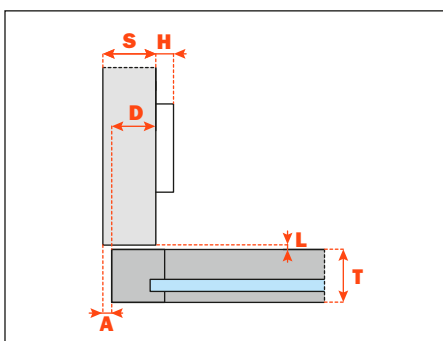
**Hinges specially developed for use with metal profiles.**


105° opening.

We recommend the use of countersunk flat head self tapping screws  $\varnothing 2.9 \times 6.5$  UNI 6955 DIN 7982 to fix C1Z6 hinges.

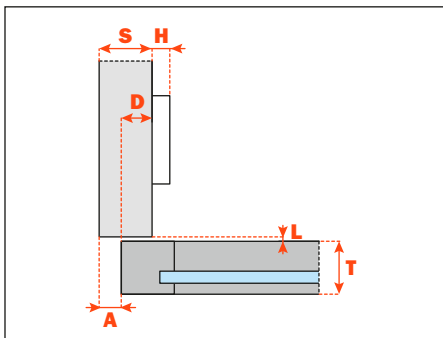
Compatible with all traditional Series 200 mounting plates and with all Domi snap-on mounting plates.


Full overlay / A crank - **0** mm



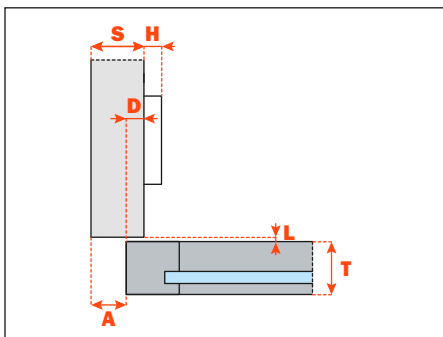
| Attachment   | Nickel  |
|--|---------|
|  $\varnothing 2.9 \times 6.5$<br>UNI 6955<br>DIN 7982 | C1Z6AE9 |


1/2" overlay / D crank - **5** mm



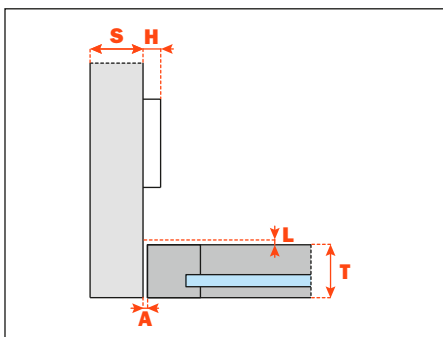
| Attachment   | Nickel  |
|--|---------|
|  $\varnothing 2.9 \times 6.5$<br>UNI 6955<br>DIN 7982 | C1Z6DE9 |


Half overlay / G crank - **9** mm



| Attachment   | Nickel  |
|--|---------|
|  $\varnothing 2.9 \times 6.5$<br>UNI 6955<br>DIN 7982 | C1Z6GE9 |

Inset / P crank - **17** mm



| Attachment   | Nickel  |
|--|---------|
|  $\varnothing 2.9 \times 6.5$<br>UNI 6955<br>DIN 7982 | C1Z6PE9 |

## Complementary hinges



### Technical information

**Hinges with adjustable integrated soft-close mechanism operated by twin silicone-oil dampers housed in the hinge cup. The decelerating effect is adjusted by using a simple switch.**

**For doors with positive angled assembly.**

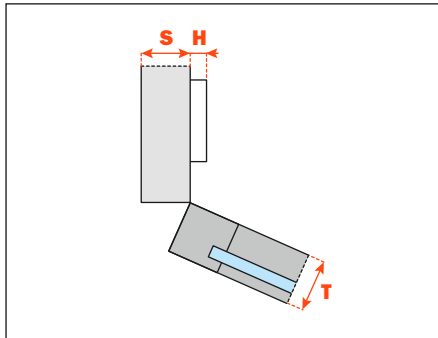
**Hinges specially developed for use with metal profiles.**


105° opening.

We recommend the use of countersunk flat head self tapping screws  $\varnothing 2.9 \times 6.5$  UNI 6955 DIN 7982 to fix C1Z6 hinges.

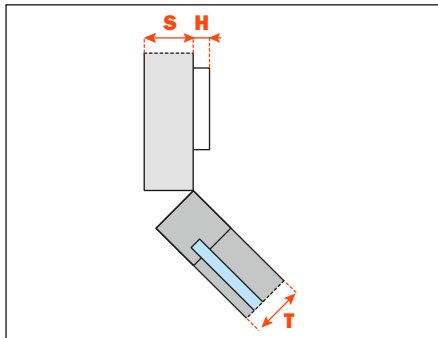
Compatible with all traditional Series 200 mounting plates and with all Domi snap-on mounting plates.


Arm 30°



| Attachment   | Nickel  |
|--|---------|
|  $\varnothing 2.9 \times 6.5$<br>UNI 6955<br>DIN 7982 | C1Z6EE9 |

Arm 45°



| Attachment   | Nickel  |
|--|---------|
|  $\varnothing 2.9 \times 6.5$<br>UNI 6955<br>DIN 7982 | C1Z6ME9 |

**Silentia** • For metal profiles • Complementary hinges



**Technical information**

Hinges with adjustable integrated soft-close mechanism operated by twin silicone-oil dampers housed in the hinge cup. The decelerating effect is adjusted by using a simple switch.

**Crampon hinges.**

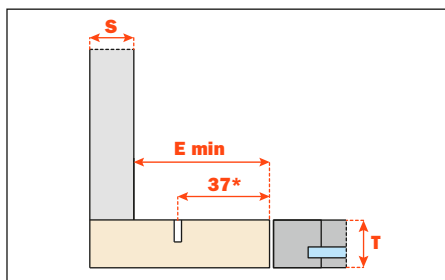
For cabinet sides with 37x32 mm standard drilling.


Hinges specially developed for use with metal profiles.

105° opening.

We recommend the use of countersunk flat head self tapping screws  $\varnothing$  2.9x6.5 UNI 6955 DIN 7982 to fix C1Z6 hinges.

Compatible with all traditional Series 200 mounting plates and with all Domi snap-on mounting plates.



| Attachment  | Nickel    |
|---|-----------|
|  $\varnothing$ 2.9x6.5<br>UNI 6955<br>DIN 7982 | C1Z6NE9AC |

**E min:**

- 61 mm for Series 200 mounting plates.
- 70 mm for Domi snap-on mounting plates.
- 74 mm for Domi snap-on mounting plates with back cam.



**Technical information**

Hinges with adjustable integrated soft-close mechanism operated by twin silicone-oil dampers housed in the hinge cup. The decelerating effect is adjusted by using a simple switch.

**Crampon hinges.**

For smaller spaces with 15x32 mm drilling.

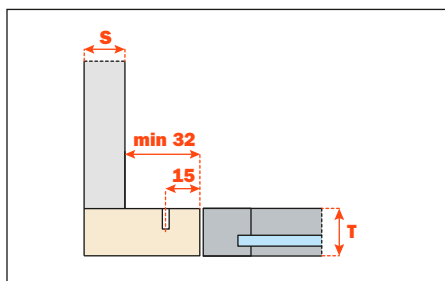
Hinges specially developed for use with metal profiles.


105° opening.

We recommend the use of countersunk flat head self tapping screws  $\varnothing$  2.9 x 6.5 UNI 6955 DIN 7982 to fix C1Z6 hinges.

Compatible with all traditional Series 200 mounting plates, drilling 28x32 mm.

**NOT COMPATIBLE** with Domi snap-on mounting plates.

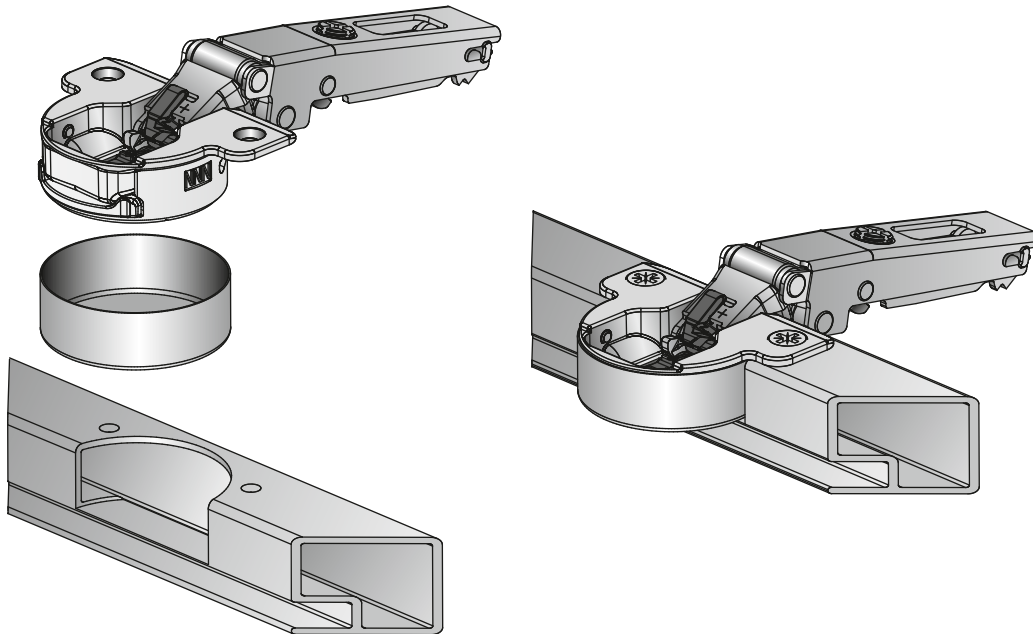
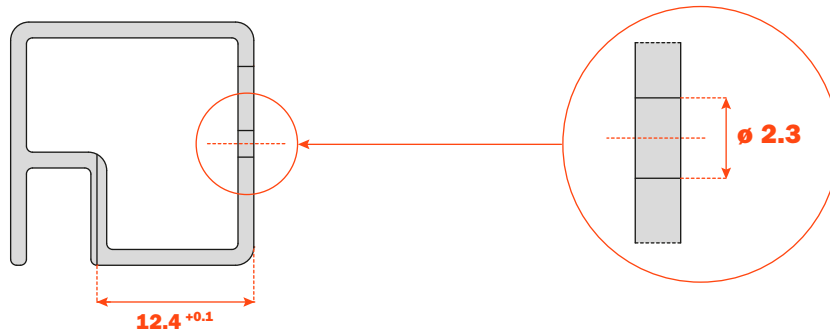
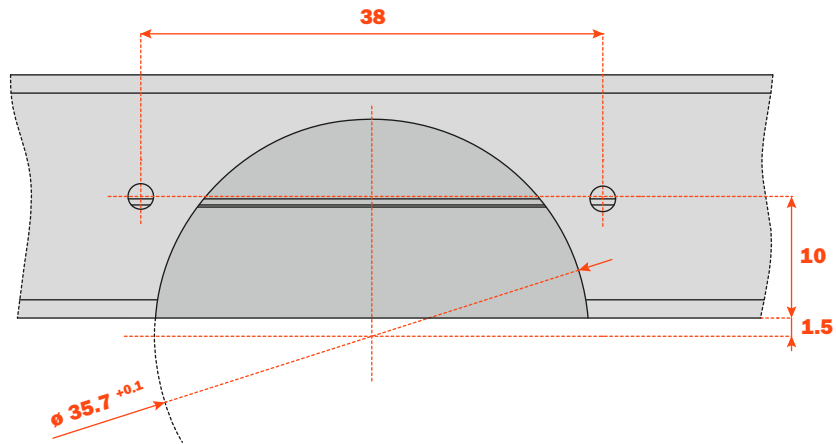


| Attachment  | Nickel  |
|---|---------|
|  $\varnothing$ 2.9x6.5<br>UNI 6955<br>DIN 7982 | C1Z6NE9 |



## Drilling of the metal profile

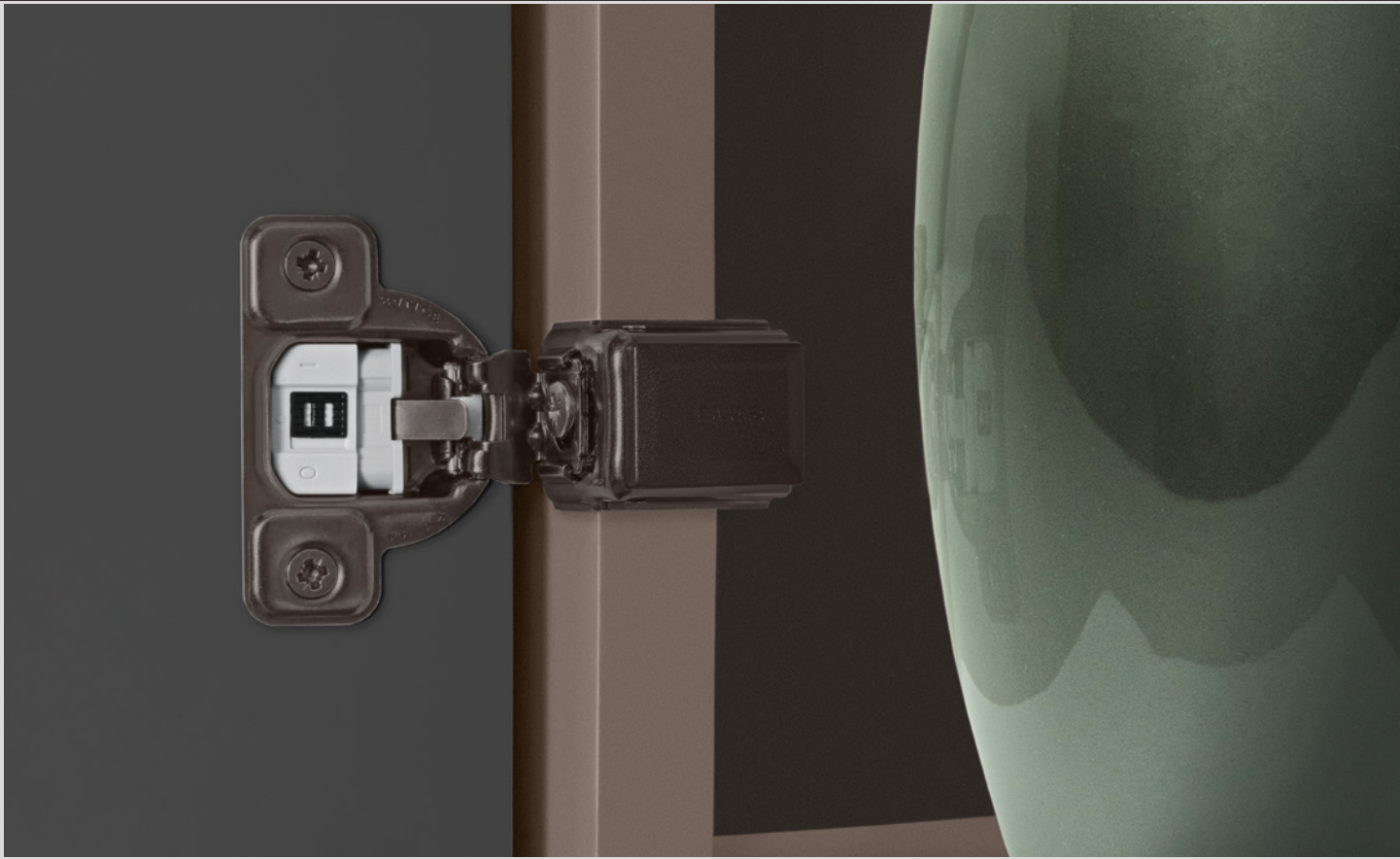
Countersunk flat head self tapping screws  $\varnothing 2.9 \times 6.5$  UNI 6955 - DIN 7982



### D1Z6HSK

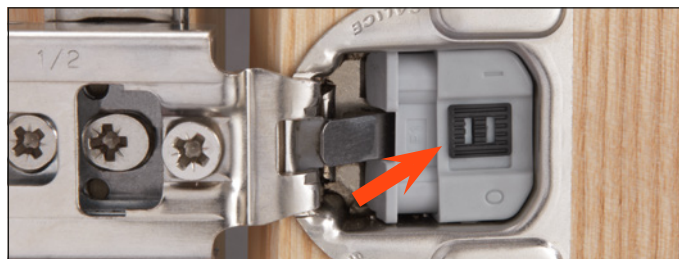
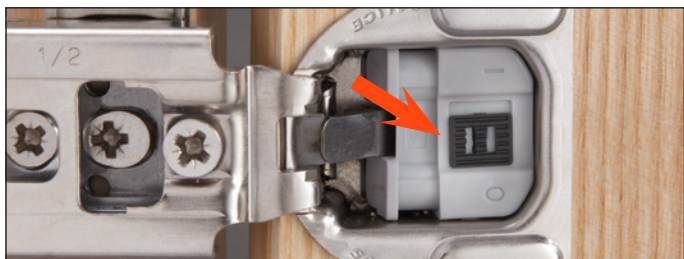
Fancy cover for hinge  
(should be ordered separately)





**Silentia+** CU Series Face Frame Hinges

**Silentia+ • Series CU Face Frame**



To adjust the soft close start from 30° to 10°, move the switch to **0**.

To adjust the soft close start from 10° to 30°, move the switch to **I**.

**ATTENTION**

**DO NOT insert with a hammer or mallet.**

**DO NOT remove the soft-close mechanism as it will cause permanent damage.**

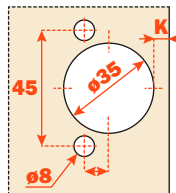
**General information**

All overlays are calculated with a K = 2.5 mm.  
**All Silentia+ face frame hinges have a variable drilling distance (K) of 2.5 mm - 6.0 mm.**

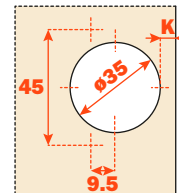
**Boring Pattern**

Boring distance from the edge of the door:

Press-in



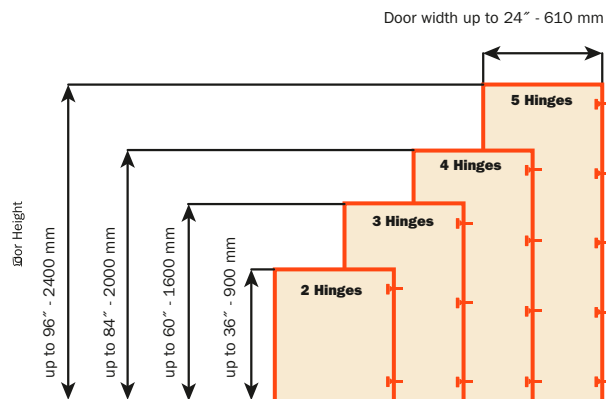
Screw-in.



**Recommended number of hinges per door.**

The number of hinges required depends on the size, weight and quality of the door. The distance between the top and bottom hinge must be greater than the width of the door. Additional hinges should be added if doors are near the border line of size or weight chart. Use the diagram below to determine number of hinges needed.

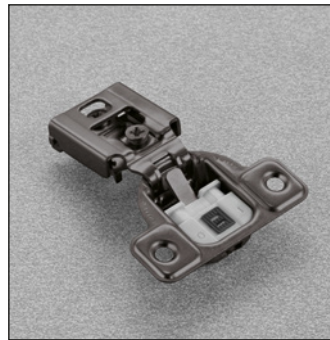
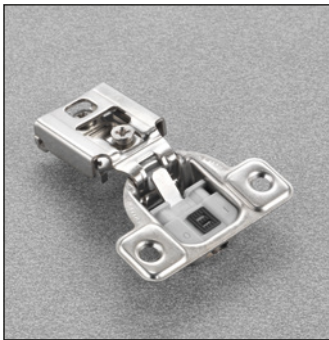
| Maximum door weight. |      |      |      |
|----------------------|------|------|------|
| ø 35 mm              | 20lb | 40lb | 60lb |
| No. of hinges        | 2    | 3    | 4    |



**Millimeter to inch equivalents**

|      |       |        |       |        |        |        |       |        |        |        |        |        |        |        |        |      |
|------|-------|--------|-------|--------|--------|--------|-------|--------|--------|--------|--------|--------|--------|--------|--------|------|
| mm   | 1     | 1.5    | 2     | 3      | 4      | 5      | 5.5   | 6      | 7      | 8      | 9      | 9.5    | 10     | 11     | 12     | 13   |
| inch | 1/32" | 1/16"  | 3/32" | 1/8"   | 5/32"  | 3/16"  | 7/32" | 1/4"   | 9/32"  | 5/16"  | 11/32" | 3/8"   | 13/32" | 7/16"  | 15/32" | 1/2" |
| mm   | 14    | 15     | 16    | 17     | 17.5   | 18     | 19    | 20     | 20.5   | 21     | 22     | 23     | 24     | 24.5   | 25.4   |      |
| inch | 9/16" | 19/32" | 5/8"  | 21/32" | 11/16" | 23/32" | 3/4"  | 25/32" | 13/16" | 27/32" | 7/8"   | 29/32" | 15/16" | 31/32" | 1"     |      |

## Series CU Face Frame - 2 cam adjustment



### Integrated soft close face frame hinge with adjustment switch.

Stamped steel.  
 Minimum door thickness 14mm (9/16").  
 Maximum door thickness 22mm (7/8")  
 Cup depth 11mm (7/16").  
 Opening 106°.

Wraparound (front & rear tabs)

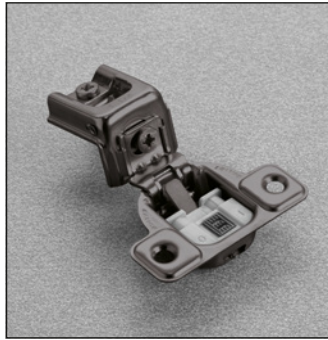
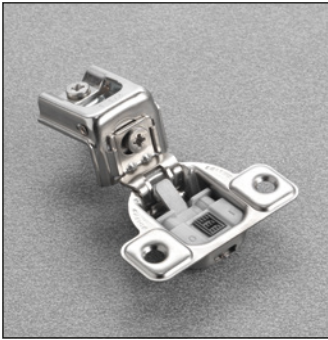
**All Silentia+ face frame hinges have a variable drilling distance (K) of 2.5 mm - 6.0 mm.**

Available in Nickel and Titanium finish.

|   | 106° ø35    | 106° ø35            | 106° ø35            | 106° ø35            | Packaging |
|---|-------------|---------------------|---------------------|---------------------|-----------|
|   |             |                     |                     |                     |           |
|   | <b>3/8"</b> | <b>1/2"</b>         | <b>9/16"</b>        | <b>5/8"</b>         |           |
|   | CUP39D9     | CUP37D9             | CUP36D9             | CUP35D9             | 300       |
|   |             | CUP37D6<br>Titanium | CUP36D6<br>Titanium | CUP35D6<br>Titanium | 300       |
|   | CUR39D9     | CUR37D9             | CUR36D9             | CUR35D9             | 300       |
|   |             | CUR37D6<br>Titanium | CUR36D6<br>Titanium | CUR35D6<br>Titanium | 300       |
| All overlays are calculated with a K = 2.5 mm                         |             |                     |                     |                     |           |
|   |             |                     |                     |                     |           |
| Suggested frame fixing screw #8 x 3/4" modified truss head - VU74X194 |             |                     |                     |                     |           |

|   | 106° ø35             |  |  |  | Packaging |
|---|----------------------|--|--|--|-----------|
|   |                      |  |  |  |           |
|   | <b>3/4"</b>          |  |  |  |           |
|   | CUP34D9              |  |  |  | 300       |
|   | CUP34D6<br>Titanium  |  |  |  | 300       |
|   | CUR34D9              |  |  |  | 300       |
|   | CUR34D6<br>Titanium  |  |  |  | 300       |
| All overlays are calculated with a K = 2.5 mm                         |                      |  |  |  |           |
|   |                      |  |  |  |           |
|   | Zero-door protrusion |  |  |  |           |
| Suggested frame fixing screw #8 x 3/4" modified truss head - VU74X194 |                      |  |  |  |           |

**Silentia+ • Face Frame Hinges**



**Integrated soft close face frame hinge with adjustment switch.**

Stamped steel.  
 Minimum door thickness 14mm (9/16").  
 Maximum door thickness 22mm (7/8").  
 Cup depth 11 (7/16") mm.  
 Opening 106°.

Wraparound (front & rear tabs)

**All Silentia+ face frame hinges have a variable drilling distance (K) of 2.5 mm - 6.0 mm.**

Available in Nickel and Titanium finish.

|  | 106° ø35            | 106° ø35            | 106° ø35            | 106° ø35            | Packaging |
|--|---------------------|---------------------|---------------------|---------------------|-----------|
|  |                     |                     |                     |                     |           |
|  | <b>1"</b>           | <b>1 - 1/4"</b>     | <b>1 - 5/16"</b>    | <b>1 - 3/8"</b>     |           |
|  | CUP32D9             | CUP3AD9             | CUP3BD9             | CUP3CD9             | 300       |
|  | CUP32D6<br>Titanium | CUP3AD6<br>Titanium | CUP3BD6<br>Titanium | CUP3CD6<br>Titanium | 300       |
|  | CUR32D9             | CUR3AD9             | CUR3BD9             | CUR3CD9             | 300       |
|  | CUR32D6<br>Titanium | CUR3AD6<br>Titanium | CUR3BD6<br>Titanium | CUR3CD6<br>Titanium | 300       |

All overlays are calculated with a K = 2.5 mm.

|  |  |  |  |  |
|--|--|--|--|--|
|  |  |  |  |  |
|--|--|--|--|--|

Suggested frame fixing screw #8 x 3/4" modified truss head - VU74X194

|  | 106° ø35            | 106° ø35            |  |  | Packaging |
|--|---------------------|---------------------|--|--|-----------|
|  |                     |                     |  |  |           |
|  | <b>1 - 7/16"</b>    | <b>1 - 9/16"</b>    |  |  |           |
|  | CUP3DD9             | CUP3ED9             |  |  | 300       |
|  | CUP3DD6<br>Titanium | CUP3ED6<br>Titanium |  |  | 300       |
|  | CUR3DD9             | CUR3ED9             |  |  | 300       |
|  | CUR3DD6<br>Titanium | CUR3ED6<br>Titanium |  |  | 300       |

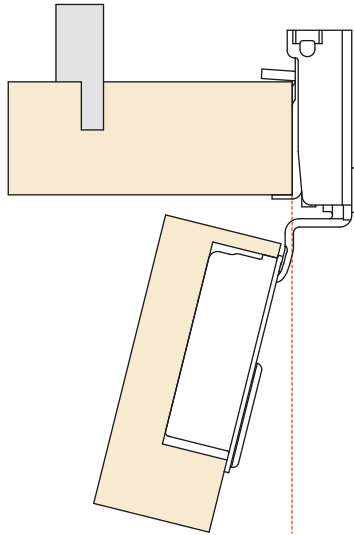
All overlays are calculated with a K = 2.5 mm.

|  |  |  |  |  |
|--|--|--|--|--|
|  |  |  |  |  |
|--|--|--|--|--|

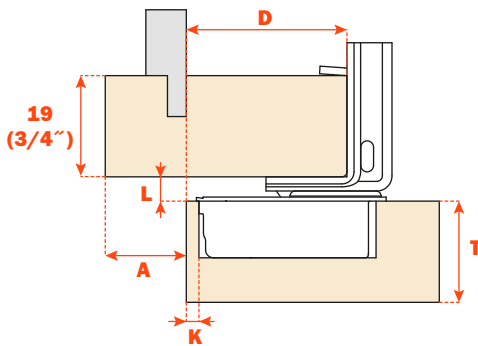
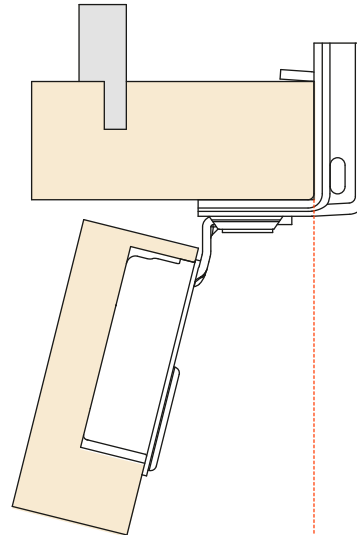
Suggested frame fixing screw #8 x 3/4" modified truss head - VU74X194

Zero-door protrusion from 3/4" to 1 - 3/8" overlay.  
Wraparound (front & rear tabs)

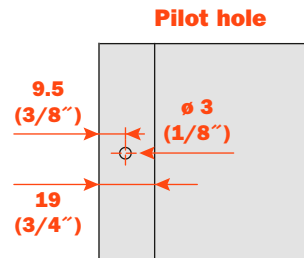
**Partial overlay**



**Full overlay**



Frame cabinet.



#8 x 3/4" modified truss head.  
VU74X194

- D** = required door overlay
- T** = max. door thickness
- K** = drilling distance
- A** = reveal
- L** = gap between door and frame

- T= Maximum 22mm (7/8")

All overlays are calculated with a K = 2.5 mm.

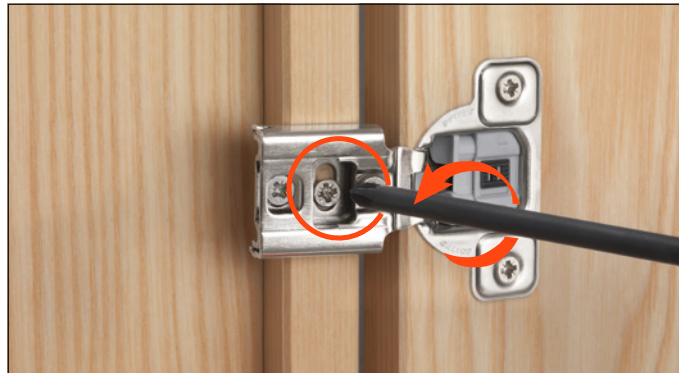
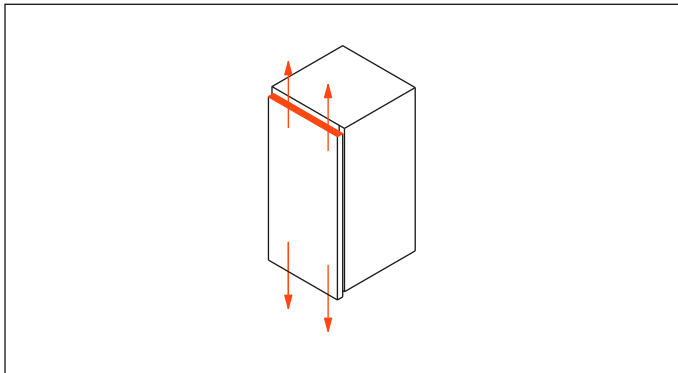
**All Silentia+ face frame hinges have a variable drilling distance (K) of 2.5 mm - 6.0 mm.**

- L = 4.6mm (3/16")

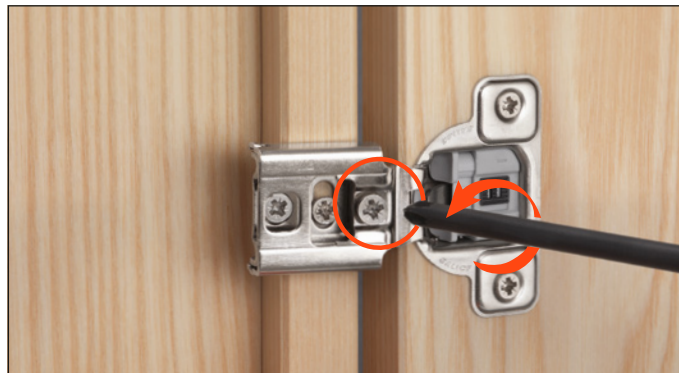
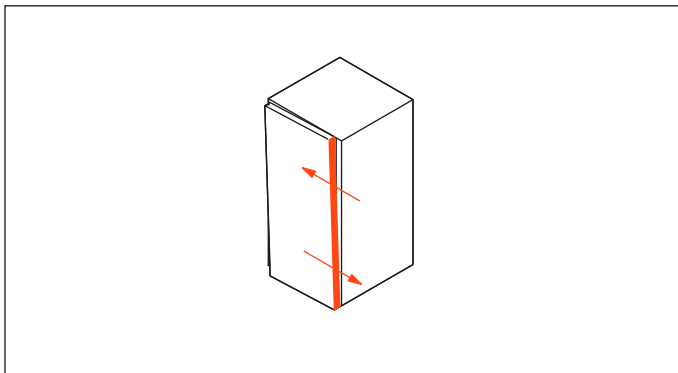
- "A" value = 5.6mm (7/32") min. for 19mm 3/4" square edge doors.

# Silentia+

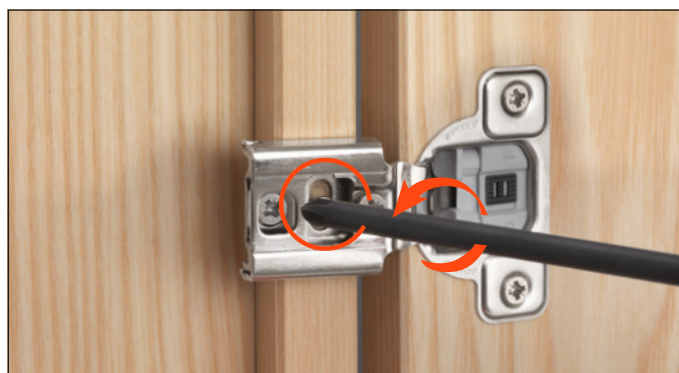
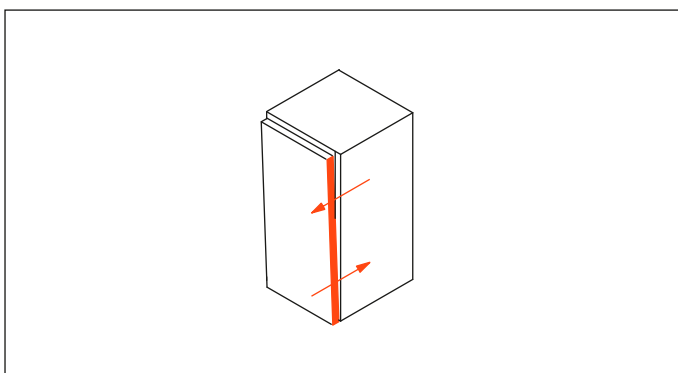
Height adjustment **+/- 3mm (1/8")**



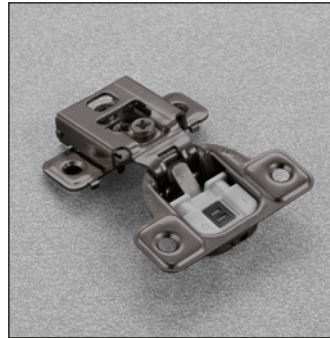
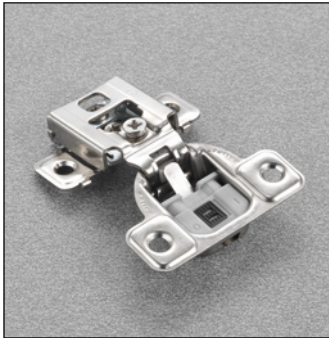
Side adjustment by eccentric cam for hinges: CU\_37D9 - CU\_34D9 = **+2.5mm (3/32") / -1.8mm (1/16")**  
CU\_32D\_ - CU\_3AD\_ - CU\_3CD\_ = **+3mm (1/8") / -2mm (3/32")**



Depth adjustment by eccentric cam: **+2.5 mm (+ 3/32") / -0.5 mm (1/32")**







**Integrated soft close face frame hinge with adjustment switch.**

Stamped steel  
 Minimum door thickness 14mm (9/16")  
 Maximum door thickness 22mm (7/8")  
 Cup depth 11mm (7/16")  
 Opening 106°

Edgемount (front tabs only)

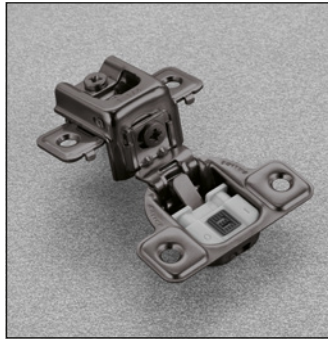
**All Silentia+ face frame hinges have a variable drilling distance (K) of 2.5 mm - 6.0 mm.**

Available in Nickel or Titanium finish

|  | 106° ø35             | 106° ø35             | 106° ø35             | 106° ø35             | Packaging            |
|--|----------------------|----------------------|----------------------|----------------------|----------------------|
|  |                      |                      |                      |                      |                      |
|  | <b>1/2"</b>          | <b>9/16"</b>         | <b>5/8"</b>          | <b>3/4"</b>          |                      |
|  | CUP37D9R             | CUP36D9R             | CUP35D9R             | CUP34D9R             | 300                  |
|  | CUP37D6R<br>Titanium | CUP36D6R<br>Titanium | CUP35D6R<br>Titanium | CUP34D6R<br>Titanium | 300                  |
|  | CUR37D9R             | CUR36D9R             | CUR35D9R             | CUR34D9R             | 300                  |
|  | CUR37D6R<br>Titanium | CUR36D6R<br>Titanium | CUR35D6R<br>Titanium | CUR34D6R<br>Titanium | 300                  |
| All overlays are calculated with a K = 2.5 mm.                       |                      |                      |                      |                      |                      |
|  |                      |                      |                      |                      |                      |
|  |                      |                      |                      |                      | Zero-door protrusion |
| #6 x 5/8" flat head wood screw - VU73X154 Nickel - V234X166 Titanium |                      |                      |                      |                      |                      |

**Ideal for refacing and other applications where frame thickness varies. Hinge is indexed from the front of the face frame only. There is no back tab.**

**Silentia+ • Series CU Face Frame - 3 cam adjustment**



**Integrated soft close face frame hinge with adjustment switch.**

Stamped steel  
 Minimum door thickness 14mm (9/16")  
 Maximum door thickness 22mm (7/8")  
 Cup depth 11mm (7/16")  
 Opening 106°

Edgemount (front tabs only)

**All Silentia+ face frame hinges have a variable drilling distance (K) of 2.5 mm - 6.0 mm.**

Available in Nickel or Titanium finish

|   | 106° ø35             | 106° ø35             | 106° ø35             | 106° ø35             | Packaging |
|---|----------------------|----------------------|----------------------|----------------------|-----------|
|   |                      |                      |                      |                      |           |
|   | <b>1"</b>            | <b>1 - 1/4"</b>      | <b>1 - 5/16"</b>     | <b>1 - 3/8"</b>      |           |
|   | CUP32D9R             | CUP3AD9R             | CUP3BD9R             | CUP3CD9R             | 300       |
|   | CUP32D6R<br>Titanium | CUP3AD6R<br>Titanium | CUP3BD6R<br>Titanium | CUP3CD6R<br>Titanium | 300       |
|   | CUR32D9R             | CUR3AD9R             | CUR3BD9R             | CUR3CD9R             | 300       |
|   | CUR32D6R<br>Titanium | CUR3AD6R<br>Titanium | CUR3BD6R<br>Titanium | CUR3CD6R<br>Titanium | 300       |
| All overlays are calculated with a K = 2.5 mm.  |                      |                      |                      |                      |           |
|   |                      |                      |                      |                      |           |
| Zero-door protrusion on all overlays - #6 x 5/8" flat head wood screw - VU73X154 Nickel - V234X166 Titanium |                      |                      |                      |                      |           |

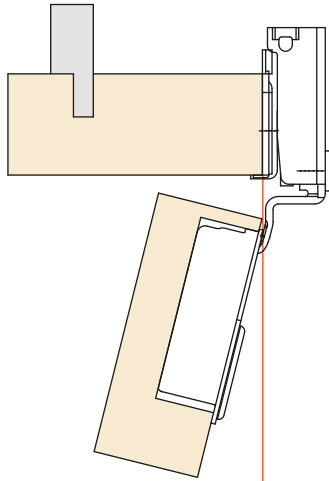
|   | 106° ø35             | 106° ø35             |  |  | Packaging |
|---|----------------------|----------------------|--|--|-----------|
|   |                      |                      |  |  |           |
|   | <b>1 - 7/16"</b>     | <b>1 - 9/16"</b>     |  |  |           |
|   | CUP3DD9R             | CUP3ED9R             |  |  | 300       |
|   | CUP3DD6R<br>Titanium | CUP3ED6R<br>Titanium |  |  | 300       |
|   | CUR3DD9R             | CUR3ED9R             |  |  | 300       |
|   | CUR3DD6R<br>Titanium | CUR3ED6R<br>Titanium |  |  | 300       |
| All overlays are calculated with a K = 2.5 mm.  |                      |                      |  |  |           |
|   |                      |                      |  |  |           |
| Zero-door protrusion on all overlays - #6 x 5/8" flat head wood screw - VU73X154 Nickel - V234X166 Titanium |                      |                      |  |  |           |

**Ideal for refacing and other applications where frame thickness varies. Hinge is indexed from the front of the face frame only. There is no back tab.**

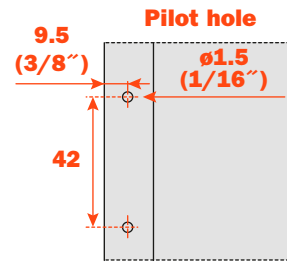
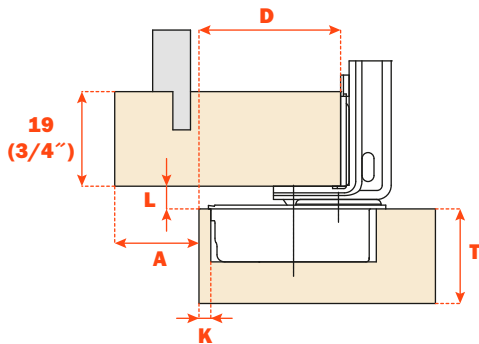
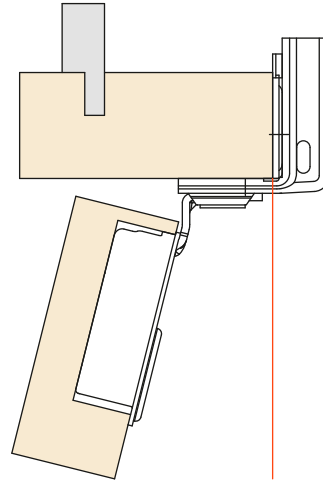
• **Series CU adjustment**

Zero-door protrusion from 3/4" to 1 - 3/8" overlay.  
Edgemount (front tabs only)

**Partial overlay**



**Full overlay**



Suggested frame fixing screw #6 x 5/8"  
VU73X154 Nickel - V234X166 Titanium

- D** = required door overlay
- T** = max. door thickness
- K** = drilling distance
- A** = reveal
- L** = gap between door and frame

- T= Maximum 22mm (7/8") max

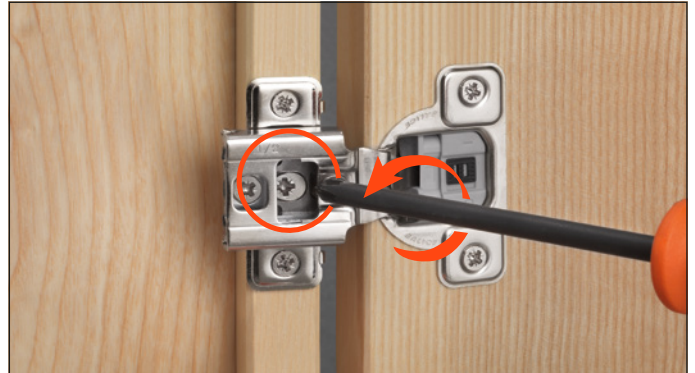
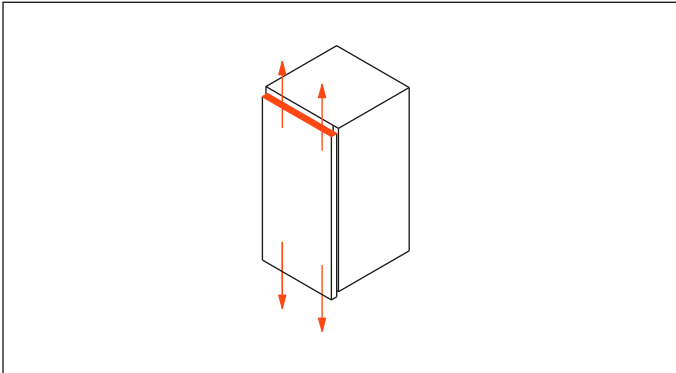
All overlays are calculated with a K = 2.5 mm.

**All Silentia+ face frame hinges have a variable drilling distance (K) of 2.5 mm - 6.0 mm.**

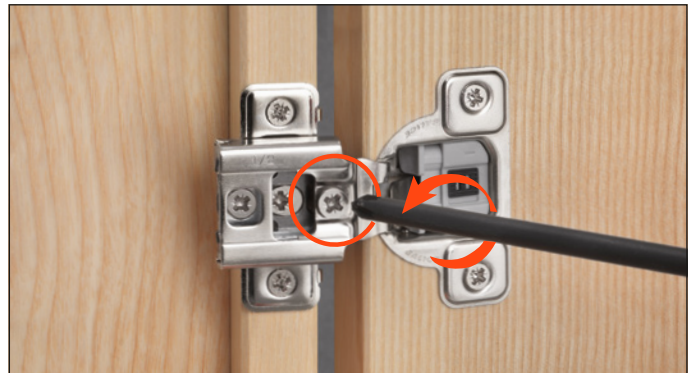
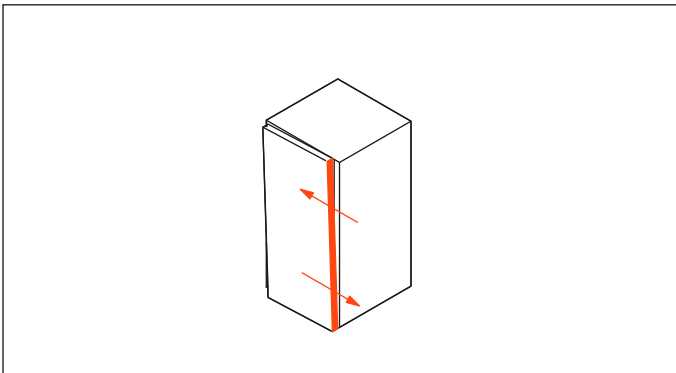
- L = 4.6 mm

- "A" value = 5.6 mm min. (7/32") for 19mm (3/4") square edge doors.

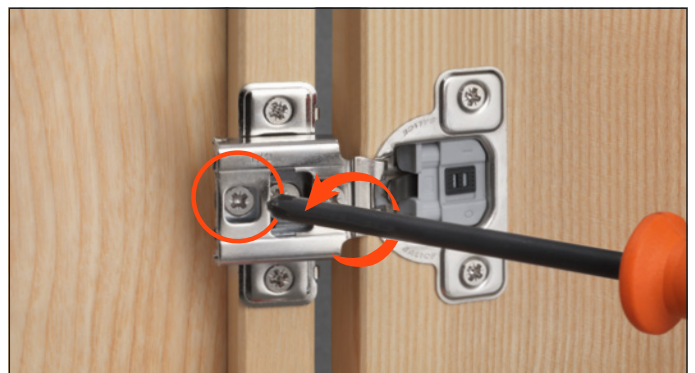
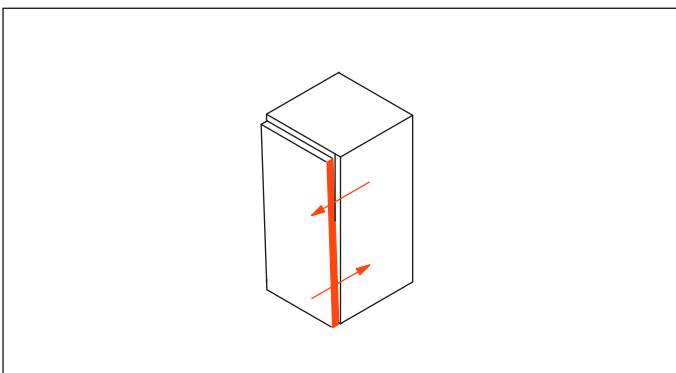
Height adjustment by eccentric cam = **+/- 1.85 mm (3/32")**



Side adjustment by eccentric cam for hinges: CU\_37D\_R - CU\_34D\_R = **+2.5mm (3/32") / -1.8mm (1/16")**  
CU\_32D\_R - CU\_3AD\_R - CU\_3CD\_R = **+3mm (1/8") / -2mm (3/32")**



Depth adjustment by eccentric cam: **+ 2.5 mm (+ 3/32) / - 0.5 mm (- 1/64")**

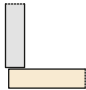
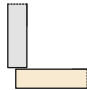
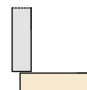
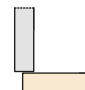
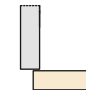




## **Hinge mounting plates**

**Mounting plates • snap on - 2-way adjustment - 1 cam**


**Steel mounting plates**

|  |   |   |   |   |   |           |
|--|---|---|---|---|---|-----------|
|  | <b>0 mm</b><br>Side panel 19 mm.<br>Full overlay                                  | <b>2 mm</b><br>Side panel 16 mm.<br>Full overlay                                  | <b>3 mm</b><br>Side panel 16 mm.<br>Full overlay                                  | <b>4 mm</b><br>Side panel 16 mm.<br>Full overlay                                    | <b>6 mm</b><br>$\frac{1}{2}$ " overlay.<br>Partial overlay                          | Packaging |
|  |  |  |  |  |  |           |

Steel




**37x32 Screw-in**

|   |          |          |          |          |          |     |
|---|----------|----------|----------|----------|----------|-----|
|  | BAV3M09F | BAV3M29F | BAV3M39F | BAV3M49F | BAV3M69F | 300 |
|---|----------|----------|----------|----------|----------|-----|

Steel




**37x32 Screw-in. Euro screw pre-mounted.**

|   |             |             |             |             |             |     |
|---|-------------|-------------|-------------|-------------|-------------|-----|
|  | BAVGM09F/16 | BAVGM29F/16 | BAVGM39F/16 | BAVGM49F/16 | BAVGM69F/16 | 300 |
|---|-------------|-------------|-------------|-------------|-------------|-----|

Steel



**37x32 Screw-in. Expansion dowels ø 5 mm**

|   |             |             |             |             |             |     |
|---|-------------|-------------|-------------|-------------|-------------|-----|
|  | BAV4M09F/16 | BAV4M29F/16 | BAV4M39F/16 | BAV4M49F/16 | BAV4M69F/16 | 300 |
|---|-------------|-------------|-------------|-------------|-------------|-----|

## Mounting plates - snap on - 2-way adjustment - 2 cams

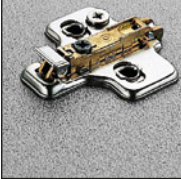
### The Domi automatic mounting plate system - 2-way adjustment Domi plate with AAR feature.

The **Salice Domi** mounting plate has a unique **Automatic Adjustment Response** feature: a slight turn of the depth adjustment cam or vertical adjustment cam quickly positions the hinge - eliminating the need for manual positioning by loosening screws.

Based on using full overlay hinges.

|  | <b>0 mm</b><br>Side panel 19 mm.<br>Full overlay | <b>3 mm</b><br>Side panel 16 mm.<br>Full overlay | <b>4 mm</b><br>Side panel 16 mm.<br>Full overlay | <b>6 mm</b><br>$\frac{1}{2}$ " overlay<br>Partial overlay | Packaging |
|--|--|--|--|---|-----------|
|  |  |  |  |   |           |

Steel



**37x32 #7 x 5/8" wood screw.**

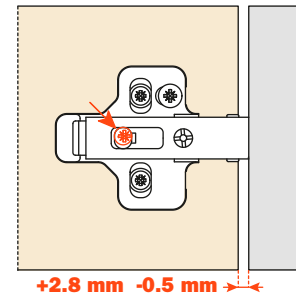
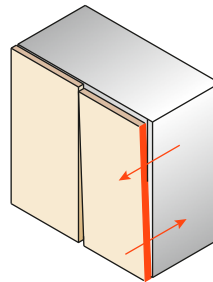
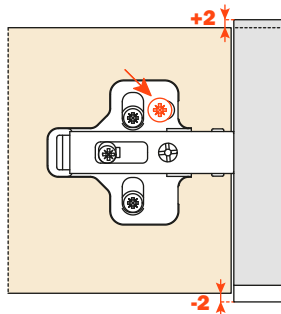
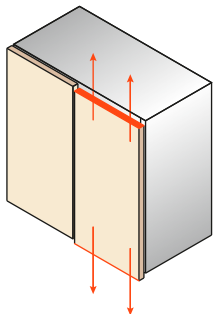
|  | BAR3L09F | BAR3L39F | BAR3L49F | BAR3L69F | 300 |
|--|----------|----------|----------|----------|-----|

Steel



**37x32 Screw-in. Euro-screw pre-mounted.**

|  | BARGL09F/16 | BARGL39F/16 | BARGL49F/16 | BARGL69F/16 | 300 |
|--|-------------|-------------|-------------|-------------|-----|



Height adjustment by cam

Depth adjustment by cam

**+2 mm**  
**-2 mm**

**+2.8 mm**  
**-0.5 mm**

## Mounting plates - snap on - 2-way adjustment - 2 cams

### The Domi automatic mounting plate system - 2-way adjustment Domi plate with AAR feature.

The **Salice Domi** mounting plate has a unique **Automatic Adjustment Response** feature: a slight turn of the depth adjustment cam or vertical adjustment cam quickly positions the hinge - eliminating the need for manual positioning by loosening screws.

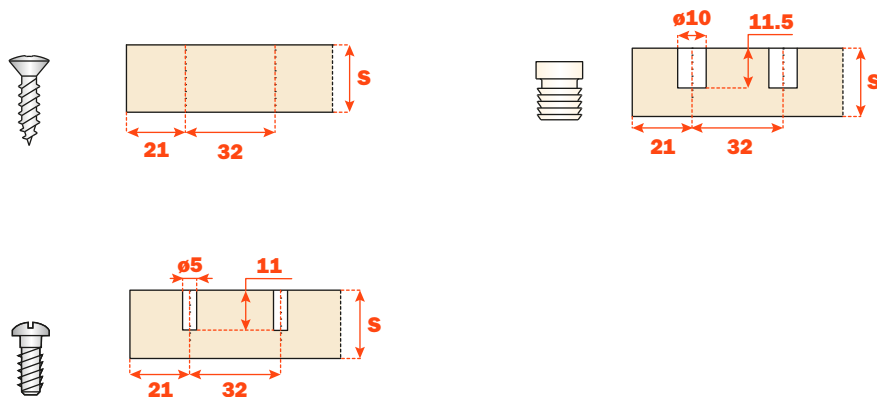
Based on using full overlay hinges.

|  | 0 mm                              | 2 mm                              | 3 mm                              | 4 mm                              | 6 mm                             | 9 mm                              | 12 mm                             | Packaging |
|--|-----------------------------------|-----------------------------------|-----------------------------------|-----------------------------------|----------------------------------|-----------------------------------|-----------------------------------|-----------|
|  | Side panel 19 mm.<br>Full overlay | Side panel 16 mm.<br>Full overlay | Side panel 16 mm.<br>Full overlay | Side panel 16 mm.<br>Full overlay | 1/2" overlay.<br>Partial overlay | Side panel 19 mm.<br>Half overlay | Side panel 16 mm.<br>Half overlay |           |
|  |                                   |                                   |                                   |                                   |                                  |                                   |                                   |           |

| Die-cast | 21+32 Screw-in. |                                  |         |         |         |         |         |         |     |
|----------|-----------------|----------------------------------|---------|---------|---------|---------|---------|---------|-----|
|          |                 | BAP3R09<br>BAP3R06<br>(Titanium) | BAP3R29 | BAP3R39 | BAP3R49 | BAP3R69 | BAP3R99 | BAP3RC9 | 300 |

| Die-cast | 21+32 Screw-in. Euro-screw pre-mounted. |            |  |            |            |            |  |  |     |
|----------|---|------------|--|------------|------------|------------|--|--|-----|
|          |   | BAPGR09/16 | BAPGR29/16<br>BAPGR26/16<br>(Titanium) | BAPGR39/16 | BAPGR49/16 | BAPGR69/16 |  |  | 300 |

| Die-cast | 21+32 Knock-in. Dowels ø 10 mm. |         |         |         |         |         |  |  |     |
|----------|---------------------------------|---------|---------|---------|---------|---------|--|--|-----|
|          |                                 | BAP7R09 | BAP7R29 | BAP7R39 | BAP7R49 | BAP7R69 |  |  | 300 |





## Mounting plates - snap on - 2-way adjustment - 2 cams

### The Domi automatic mounting plate system - 2-way adjustment • Domi plate with AAR feature.

The **Salice Domi** mounting plate has a unique **Automatic Adjustment Response** feature: a slight turn of the depth adjustment cam or vertical adjustment cam quickly positions the hinge - eliminating the need for manual positioning by loosening screws.

Based on using full overlay hinges.

|  | 0 mm<br>Side panel<br>19 mm.<br>Full overlay | 2 mm<br>Side panel<br>16 mm.<br>Full overlay | 3 mm<br>Side panel<br>16 mm.<br>Full overlay | 4 mm<br>Side panel<br>16 mm.<br>Full overlay | 6 mm<br>$\frac{1}{2}$ " overlay<br>Partial<br>overlay | 9 mm<br>Side panel<br>19 mm.<br>Half<br>overlay | 12 mm<br>Side panel<br>16 mm.<br>Half<br>overlay | 18 mm<br>Inset | Packaging |
|--|--|--|--|--|---|---|--|----------------|-----------|
|  |  |  |  |  |   |   |  |                |           |



| <b>37x32 Screw-in 3<sup>rd</sup> screw fixing option</b> |                                  |                                  |                                  |                                  |                                  |         |                                  |                                  |     |
|--|----------------------------------|----------------------------------|----------------------------------|----------------------------------|----------------------------------|---------|----------------------------------|----------------------------------|-----|
|  | BAR3R09<br>BAR3R06<br>(Titanium) | BAR3R29<br>BAR3R26<br>(Titanium) | BAR3R39<br>BAR3R36<br>(Titanium) | BAR3R49<br>BAR3R46<br>(Titanium) | BAR3R69<br>BAR3R66<br>(Titanium) | BAR3R99 | BAR3RC9<br>BAR3RC6<br>(Titanium) | BAR3RV9<br>BAR3RV6<br>(Titanium) | 300 |



| <b>37x32 Screw-in. Euro-screw pre-mounted. 3<sup>rd</sup> screw fixing option</b> |            |  |            |            |            |            |  |  |     |
|---|------------|--|------------|------------|------------|------------|--|--|-----|
|   | BARGR09/16 | BARGR29/16<br>BARGR26/16<br>(Titanium) | BARGR39/16 | BARGR49/16 | BARGR69/16 | BARGR99/16 | BARGRC9/16<br>BARGRC6/16<br>(Titanium) | BARGRV9/16<br>BARGRV6/16<br>(Titanium) | 300 |
| <b>Short euro screw plates for twin application</b>                               |            |  |            |            |            |            |  |  |     |
|   | BARGR09/20 | BARGR29/20                             | BARGR39/20 | BARGR49/20 | BARGR69/20 | BARGR99/20 |  |  | 300 |



| <b>37x32 Expansion Dowels ø 5 mm. 3<sup>rd</sup> screw fixing option</b> |            |            |            |            |            |  |  |  |     |
|--|------------|------------|------------|------------|------------|--|--|--|-----|
|  | BAR4R09/16 | BAR4R29/16 | BAR4R39/16 | BAR4R49/16 | BAR4R69/16 |  |  |  | 300 |

|  |   |   |  |   |  |  |  |  |           |
|--|---|---|--|---|--|--|--|--|-----------|
|  | 21 mm<br>Inset face<br>frame<br>application | 24 mm<br>Inset face<br>frame<br>application | 27 mm<br>Inset face<br>frame<br>applicaton | 30 mm<br>Inset face<br>frame<br>application |  |  |  |  | Packaging |
|  |   |   |  |   |  |  |  |  |           |



| <b>37x32 Screw-in 3<sup>rd</sup> screw fixing option • Additional plate heights</b> |         |         |         |         |  |  |  |  |     |
|---|---------|---------|---------|---------|--|--|--|--|-----|
|   | BAR3RZ9 | BAR3RY9 | BAR3RU9 | BAR3RM9 |  |  |  |  | 150 |



| <b>37x32 Screw-in. Euro-screw pre-mounted. 3<sup>rd</sup> screw fixing option • Additional plate heights</b> |            |            |            |  |           |  |  |  |     |
|--|------------|------------|------------|--|-----------|--|--|--|-----|
|  | BARGRZ9/16 | BARGRY9/16 | BARGRU9/16 |  | BAGRM9/16 |  |  |  | 150 |

## Snap on - 2-way adjustment - 1 cam and 2 cams

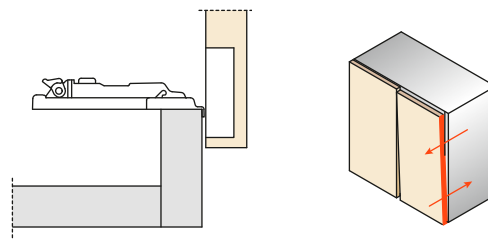
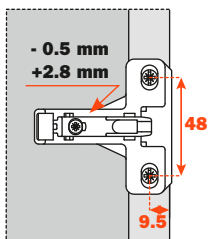
Face frame application. Based on using full overlay hinges.

|  |                             |                             |  |  |  |           |
|--|-----------------------------|-----------------------------|--|--|--|-----------|
|  | <b>1 mm</b><br>3/4" overlay | <b>4 mm</b><br>1/2" overlay |  |  |  | Packaging |
|  |                             |                             |  |  |  |           |



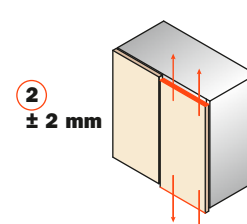
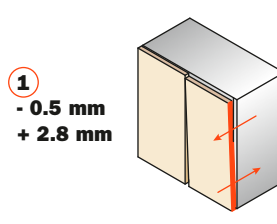
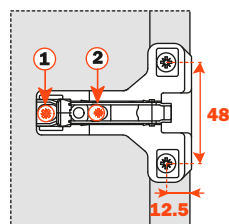
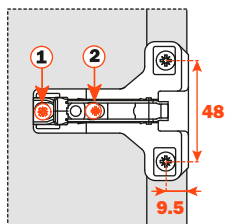
**10x48 Screw-in.**

|  |         |         |  |  |  |     |
|--|---------|---------|--|--|--|-----|
|  | BAU3L19 | BAU3L49 |  |  |  | 300 |
|--|---------|---------|--|--|--|-----|



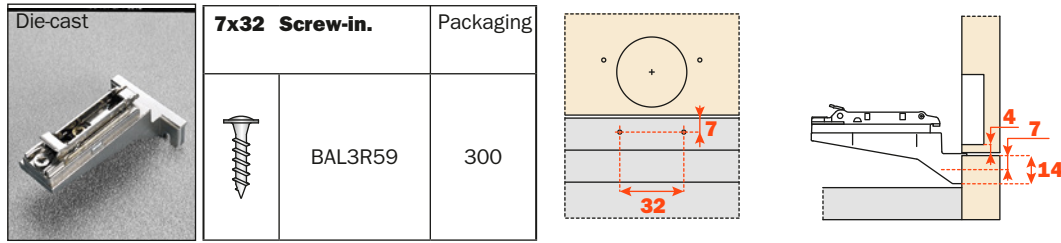
**10x48 Screw-in. 3<sup>rd</sup> screw fixing option.**

|  |  |                             |                             |                             |  |           |
|--|--|-----------------------------|-----------------------------|-----------------------------|--|-----------|
|  |  | <b>1 mm</b><br>3/4" overlay | <b>4 mm</b><br>1/2" overlay | <b>6 mm</b><br>1/2" overlay |  | Packaging |
|  |  |                             |                             |                             |  |           |
|  |  | BAU3R19                     | BAU3R49                     | BAU3R69                     |  | 300       |
|  |  | BAU3R19XR                   | BAU3R49XR                   | BAU3R69XR                   |  | 300       |



## Mounting plates - snap on - 2-way adjustment - 2 cams

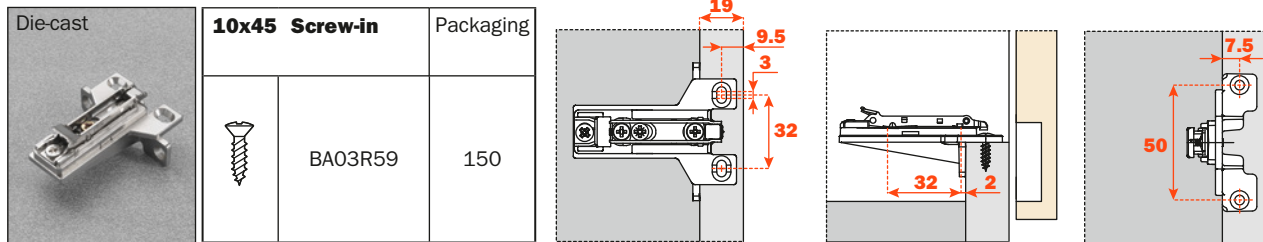
### Double cam - Inset face-frame applications.



To be used with:

- 1) Half overlay hinges ("G" crank)
  - 2) 1/2" overlay hinges ("D" crank) + adjustment.
- Fix with #6 x 5/8" truss head recommended.

### Double cam - Rear flange face-frame applications.

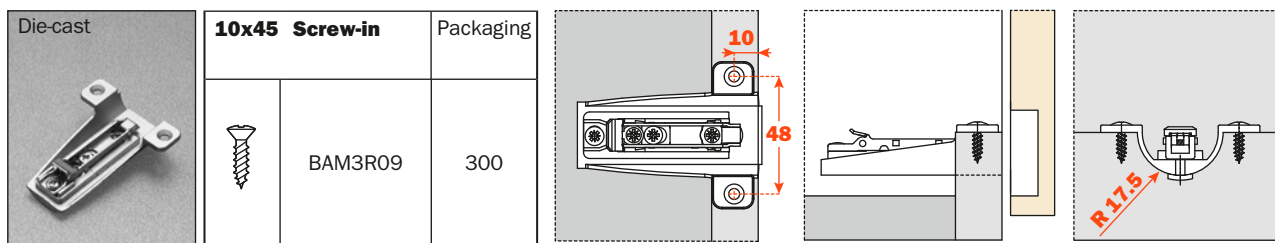


#### Overlay calculation:

Overlay = constant + Drilling distance - 5 mm

This wrap-around mounting plate allows attaching to both the edge of the frame as well as attaching to the back of the frame. It is ideal for many specialized applications that include cabinet refacing when a 1/4" veneer is added to the face of the frame. In this application, this plate design allows the fixing screws to remain in the center of the solid wood frame thus avoiding the joint between the frame and the surfacing material. Some manufacturers do not use solid wood framing material but other materials such as plywood or MDF. Since these materials do not provide suitable screw holding power on the edge of the material, this plate can be secured both to the back surface of the frame and the edge. This results in an acceptable, secure attachment.

### Double cam - Large overlay face-frame applications.



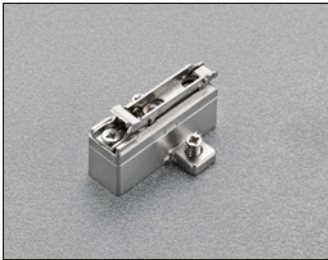
#### Overlay calculation:

Overlay = constant + Drilling distance + 11 mm

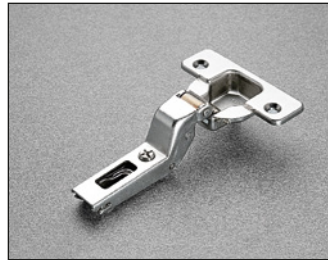
| HINGE  | OVERLAY           | Drilling distance (K)            |
|--|-------------------|----------------------------------|
| Full Overlay ("A" crank) • 110° - 120° opening                             | 1 - 1/4" overlay  | K = 6 mm                         |
| Full Overlay ("A" crank) • 94° - 165° opening                              | 1 - 3/8" overlay  | K = 8 mm<br>+ 1 mm of adjustment |
| Full Overlay ("A" crank) • 165° + reduction clip • S2AF37X3 = 125° opening | 1 - 1/2" overlay  | K = 12 mm                        |
| Full Overlay ("A" crank) • 165° + reduction clip • S2AF37X3 = 125° opening | 1 - 9/16" overlay | K = 14 mm                        |

**Mounting plates - snap on - 2-way adjustment - 2 cams**

**Hinge and mounting plate selection guide for Face Frame Inset doors.**



**BAR\_** mounting plate

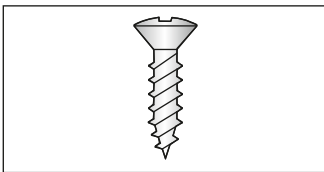


**P\_** crank inset hinge

**Face frame cabinets**

The **BAR** thick mounting plate system has been developed to offer the appropriate mounting plate thickness for inset doors with face frame cabinets. This eliminates the need to “build up” to match the face frame interspace (**IS**) dimension.

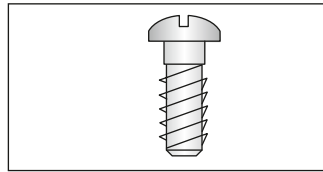
**Mounting plate part number**



- H = 6 mm** - BAR3R69
- H = 9 mm** - BAR3R99
- H = 12 mm** - BAR3RC9
- H = 18 mm** - BAR3RV9
- H = 21 mm** - BAR3RZ9
- H = 24 mm** - BAR3RY9
- H = 27 mm** - BAR3RU9
- H = 30 mm** - BAR3RM9

3rd screw hole 0 mm - 12 mm.  
No 3rd screw 18 mm - 30 mm.

18 mm - 30 mm plates have larger screw holes requiring larger screws such as #7 X 5/8" wood screws.

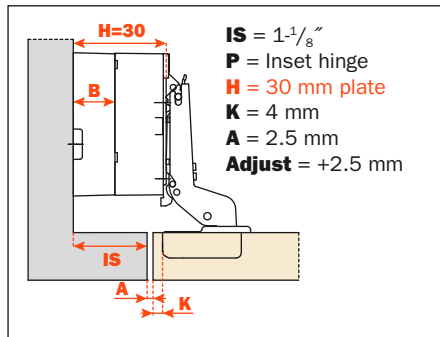
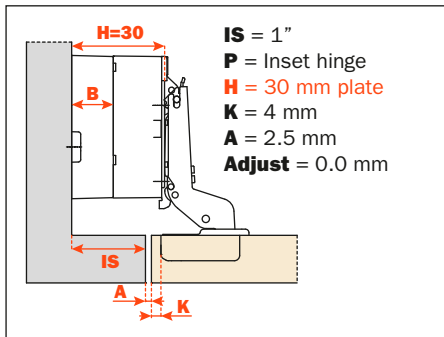
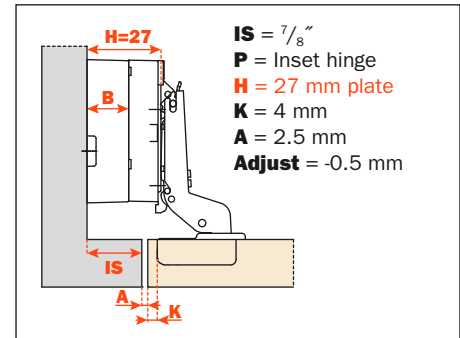
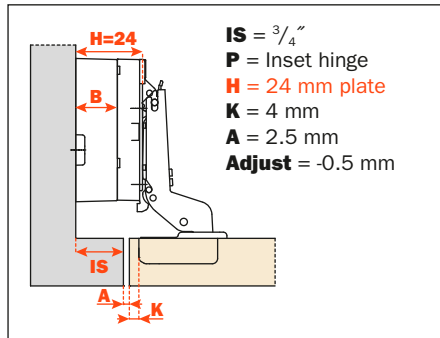
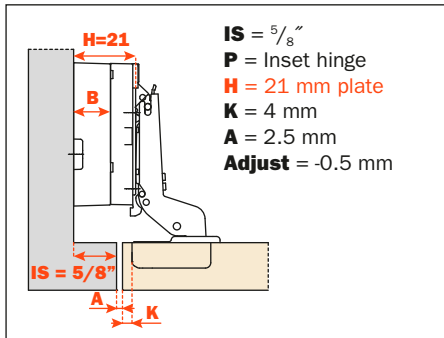
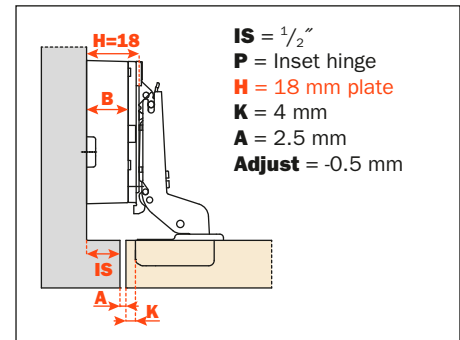
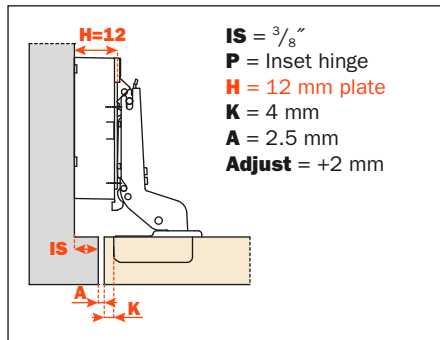
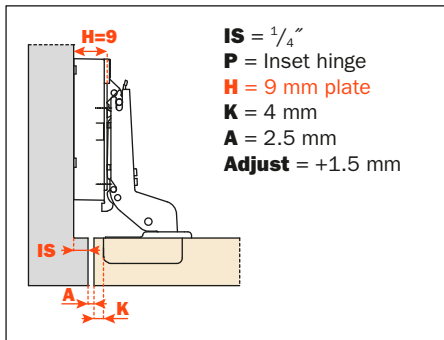
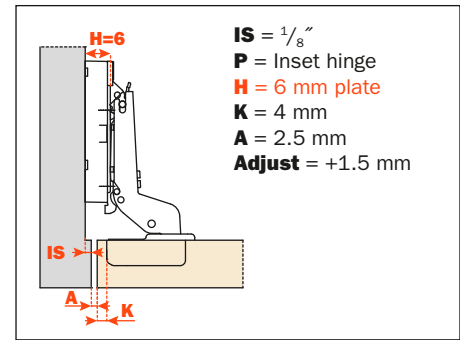
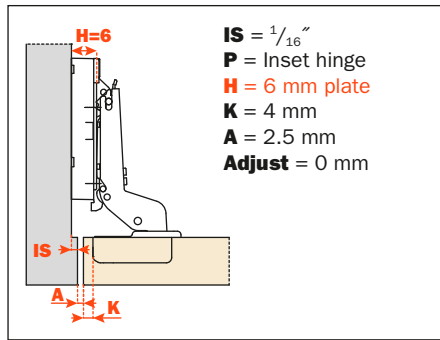
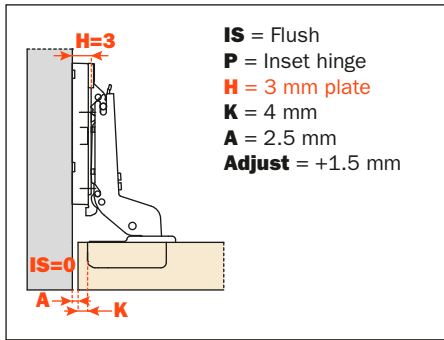


- H = 6 mm** - BARGR69/16
- H = 9 mm** - BARGR99/16
- H = 12 mm** - BARGRC9/16
- H = 18 mm** - BARGRV9/16
- H = 21 mm** - BARGRZ9/16
- H = 24 mm** - BARGRY9/16
- H = 27 mm** - BARGRU9/16
- H = 30 mm** - BARGRM9/16

3rd screw hole 0 mm - 12 mm.  
No 3rd screw 18 mm - 30 mm.

## Drawings of Face Frame Inset applications

Select an inset style (P crank) hinge and the matching mounting plate thickness for your cabinet design.



### Legend

- IS** = recess (from side to frame edge)
- B** = mounting plate
- H** = mounting plate thickness
- K** = edge bore distance
- A** = gap
- P** = crank inset hinge





# Accessories

## Accessories-Silentia+

### Hinge arm cover caps

\*Check with your Salice sales representative or customer service for specific Titanium availability

**S2BX83H9\_\_ - Nickel**  
**S2BX83H6\_\_ - Titanium**

Symmetrical steel screw cover cap, it can be personalized on request.



For 100, 200 and 700 Series hinges.

Min order quantity is 10,000 and a lead time of 10 weeks is required for personalized printed cover caps.

**S2MX83H9\_\_ - Nickel**  
**S2MX83H6\_\_ - Titanium**

Symmetrical steel screw cover cap with personalized embossed logo.



For 100, 200 and 700 Series hinges.

Min order quantity of 100,000 and a lead time of 10 weeks is required for personalized embossed cover caps.

**S2XX83A1\_\_**

Nylon symmetrical screw cover cap with printed logo.



For 100, 200 and 700 Series hinges.

Min. order quantity is 10,000 and a lead time of 10 weeks is required for personalized printed cover caps. Excluded: 155° opening hinges.

**S2XX83A1**

Nylon symmetrical screw cover cap without printed logo.



For 100, 200 and 700 Series hinges.

Min. order quantity and lead time required for personalized cover caps. Excluded: 155° opening hinges.



## Flange cover caps

\*Check with your Salice sales representative or customer service for specific Titanium availability

**S2XX85H9 - Nickel**  
**S2XX85H6 - Titanium**

Steel flange cover cap, it can be personalized on request.



For all 100, 200, 700 Series.

Min order quantity of 10,000 and a lead time of 10 weeks is required for personalized printed cover caps.

**S2CX85H9 - Nickel**  
**S2CX85H6 - Titanium**

Steel flange cover cap with embossed logo.



For all 100, 200 and 700 Series,

Min order quantity of 100,000 and a lead time of 10 weeks is required for personalized embossed cover caps.

## Spacers and gauge for Silentia+ hinges

**S2XF86**

Spacer to reduce the drilling depth for 155° hinges.



**S2XF86BT** = 0.6 mm  
**S2XF86AT** = 1.2 mm  
**S2XF86KT** = 1.8 mm

**S2XX86**

Spacer to reduce the drilling depth for 94°, 105° and 110° hinges.



**S2XX86BT** = 0.6 mm  
**S2XX86AT** = 1.2 mm  
**S2XX86KT** = 1.8 mm

**D\_A\_AC\_SN**

Gauge to check the diameter and the depth of the drilling.



**D1A6AC3SN** = 12 mm  
**D2ABACGSN** = 15.5 mm  
**D7A6ACYSN** = 13.5 mm

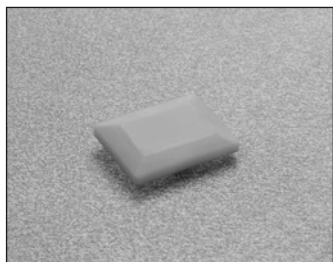
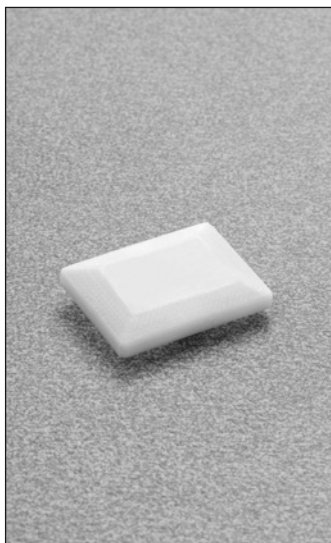
**D1Z6HSK**

Fancy cover for metal profiles hinges.



**Accessories • Silentia+ face frame**

**SUXX83C\_**

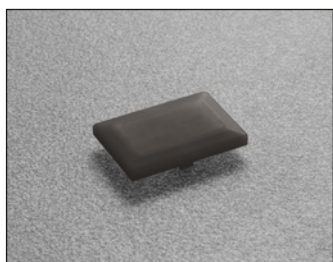
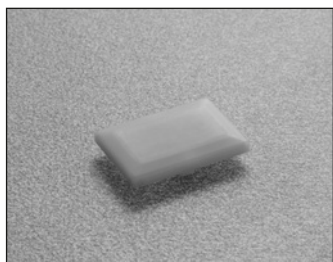


Cover cap for partial overlay Silentia+ face frame hinges.  
 - Compatible with overlays from 1/2" to 3/4".  
 - Nylon  
 - Available in multiple colors

Cover caps can be personalized with customer logo upon request  
 - Minimum order is 10.000 pcs.  
 - Blank cover cap packaging: 5000 pcs.

SUXX83C**1** = White  
 SUXX83C**G** = Grey  
 SUXX83C**6** = Titanium

**SUXX83L\_**



Cover cap for full overlay Silentia+ face frame hinges.  
 - Compatible with overlays from 1" to 1 - 3/8".  
 - Nylon  
 - Available in multiple colors

Cover caps can be personalized with customer logo upon request  
 - Minimum order is 10.000 pcs.  
 - Blank cover cap packaging: 5000 pcs.

SUXX83L**1** = White  
 SUXX83L**G** = Grey  
 SUXX83L**6** = Titanium

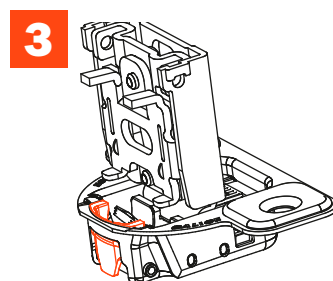
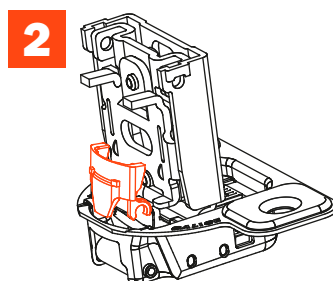
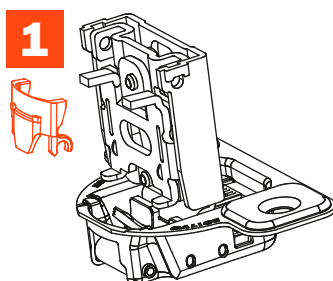
**SUP337XG**



Angle reduction clip for Silentia+ face frame hinges.  
 Compatible with all overlays, clips on easy.

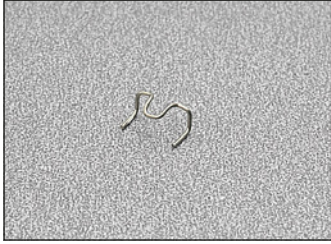
Limits opening to 86°.

Packaging 500.



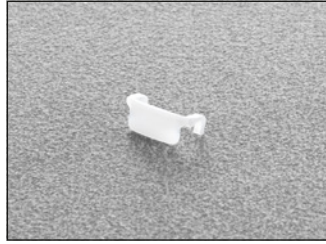
## Angle reduction

### S2A637XF

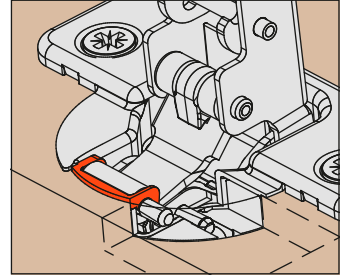
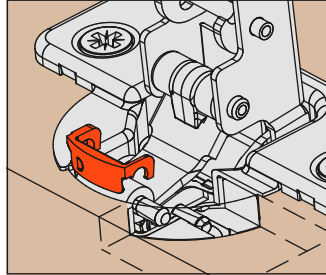
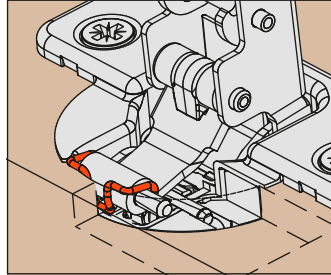
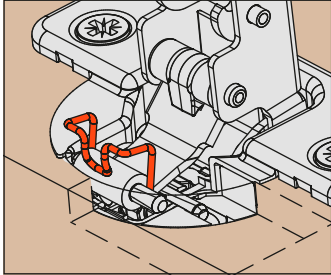


For all 200 Series hinges, it limits opening at about 86°.

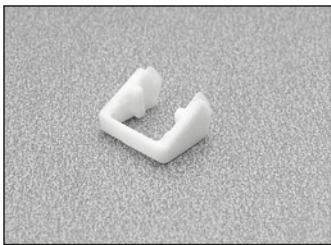
### S1E637XY



For all 100 and 700 Series hinges, it limits opening at about 86°.



### S2BF37XY

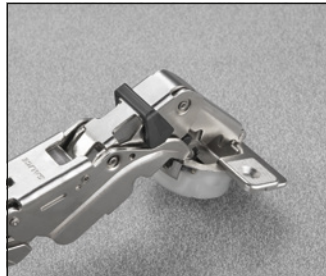
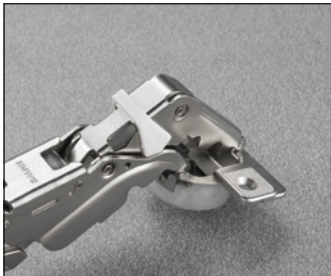


For 155° hinges, it limits opening at 130°.

### S2AF37X3



For 155° hinges, it limits opening at 135°.



### S2BM37XG

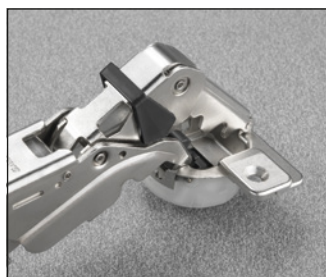
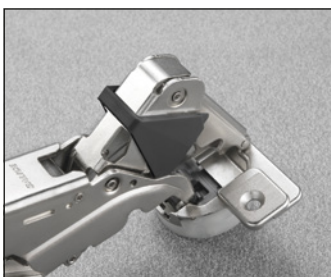


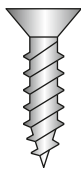
For 155° hinges, it limits opening at 92°.

### S2AM37XG

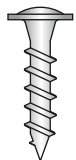


For 155° hinges, it limits opening at 120°.



**Accessories • Face Frame****Wood screw****Data for orders****Packaging:** 1 x 100 pcs.

**VU73X154** # 6 x 5/8" FHP  
**V234X166** # 6 x 5/8" wood screw in Titanium FHP



**VU74X194** # 8 x 3/4" modified truss head wood screw

**Pozi driver**

The #2 Pozi driver is recommended for usage on all Euro hinges adjustment screws

**Data for orders****Packaging:** 1 x 100 pcs.**D2A7XCXCP**







**SALICE CANADA INC.**

3500 RIDGEWAY DRIVE, UNIT#1  
MISSISSAUGA, ONTARIO, L5L 0B4

TEL. 905 820 8787

FAX. 905 820 7226

info.salice@salicecanada.com

www.salicecanada.com



**Digital contents**